

8

7

6

5

4

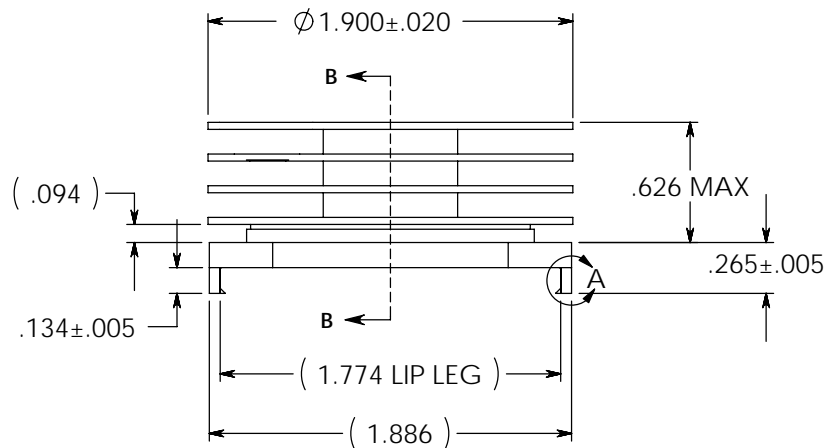
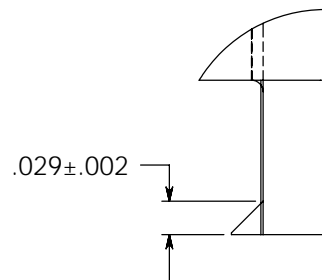
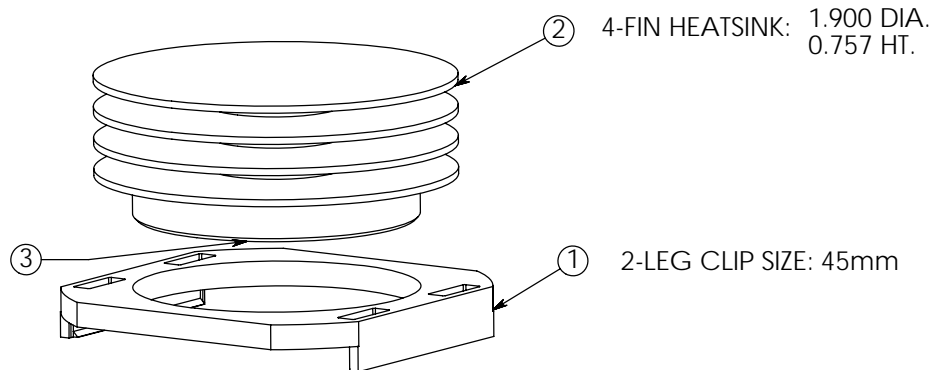
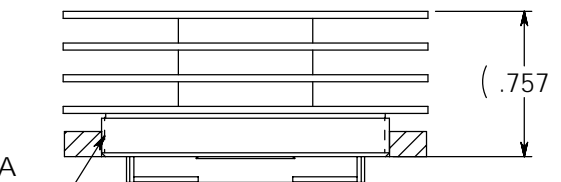
3

2

1

REVISION(S)

LTR	DESCRIPTION	INIT	APP'D
O	ECN: 0S60-0242-04	E.T 10/5/04	B.P 10/8/04
A	ECR-06-020126	E.T 8/21/06	V.K 8/21/06

1 1/2 - 27 UNS -2A
THREAD

SECTION B-B

1. MATERIAL:

HEAT SINK: ALUM. (BLACK ANODIZE)
CLIP: BLACK PEI (UL94-VO)

2. BEFORE THE HEATSINK APPLICATION, THE USER SHOULD IDENTIFY THE SPECIFICATION OF MAXIMUM LOAD ON THE BGA PACKAGE.

HEATSINK TORQUE SPECIFICATIONS CONVERTED TO FORCE.

BARE DIE PACKAGE:

3.0 POUND-FORCE INCH TORQUE = 8.8 POUND-FORCE
(0.34 NEWTON METER TORQUE = 39.14 NEWTON)3.5 POUND-FORCE INCH TORQUE = 10.2 POUND-FORCE
(0.40 NEWTON METER TORQUE = 45.37 NEWTON)

FULL SIZE LID PACKAGE:

3.0 POUND-FORCE INCH TORQUE = 6.9 POUND-FORCE
(0.34 NEWTON METER TORQUE = 30.69 NEWTON)3.5 POUND-FORCE INCH TORQUE = 8.1 POUND-FORCE
(0.40 NEWTON METER TORQUE = 36.03 NEWTON)

3. REMOVE CLIP WITH REMOVAL TOOL P/N: 1542616-1

4. RoHS COMPLIANT AND CERTIFIED.

CUSTOMER DRAWING

SPECIFICATIONS ARE SUBJECT TO CHANGE WITHOUT NOTICE

ITEM	DESCRIPTION	QTY
1	MOUNTING CLIP	1
2	HEAT SINK	1
3	INTERFACE	1

DO NOT SCALE

tyco / Electronics		Attleboro Falls Massachusetts 02763	
UNLESS OTHERWISE SPECIFIED TOLERANCES ARE:		DRAWN BY:	DATE
.XX ±		E.TAO	10/5/04
.XXX ±		ENGINEER:	DATE
.XXXX ±		B.PETROCELLI	10/8/04
ANGLES ± *		FILENAME	PROJECT
			SYSTEM

CONFIDENTIAL PROPERTY OF TYCO ELECTRONICS. NOT TO BE DISCLOSED TO OTHERS. REPRODUCED OR USED FOR ANY PURPOSES EXCEPT AS AUTHORIZED IN WRITING BY AN AUTHORIZED OFFICIAL OF TYCO. MUST BE RETURNED TO TYCO ON DEMAND, ON COMPLETION OF ORDERS OR OTHER PURPOSES FOR WHICH LENT.

DIMENSIONS ARE IN: INCHES
SCALE: 1:1
SIZE: A
THIRD ANGLE PROJECTION

TITLE: HEATSINK ASSEMBLY (HTS11-P)	
PART NO: 1-1542000-2	SHEET: 1 OF 1
DWG. NO. C-1-1542000-2	REV: A

D

D

C

C

B

B

A

A

8

7

X-ON Electronics

Largest Supplier of Electrical and Electronic Components

Click to view similar products for [Heat Sinks](#) category:

Click to view products by [TE Connectivity](#) manufacturer:

Other Similar products are found below :

[581102B00000G](#) [630-35ABT3](#) [656-15ABPE](#) [657-20ABPNE](#) [7020B-TC12-MTG](#) [73452PPBA](#) [7G0011A](#) [FI306/SE](#) [PF720G](#) [A22-4026](#) [120-1873-007](#) [HAH10L](#) [HF20](#) [1542256-2](#) [1542026-1](#) [1542616-1](#) [HS-2506-F1](#) [HS-87M0-F2](#) [218-40CTE3](#) [25-7520](#) [188854F00000G](#) [F-QB-F1](#) [APA501-60-003](#) [253-122ABE-22](#) [PSC22CB](#) [CLP-201](#) [CLP212SG](#) [CLP-7701G](#) [HAA072](#) [HAA083](#) [HAF10L](#) [D10100-28](#) [TO5-002D](#) [513101B02500G](#) [BDN183CBA01](#) [531202B0000](#) [HS-56M0-C1](#) [3-21053-4](#) [TX0506-1B](#) [TX1806B](#) [336614B-00000](#) [V2004X](#) [LAE66A3CB](#) [WA-DT2-101E](#) [511-3U](#) [017177](#) [6110BG](#) [73381PPBA](#) [73403PPBA](#) [7G0047C](#)