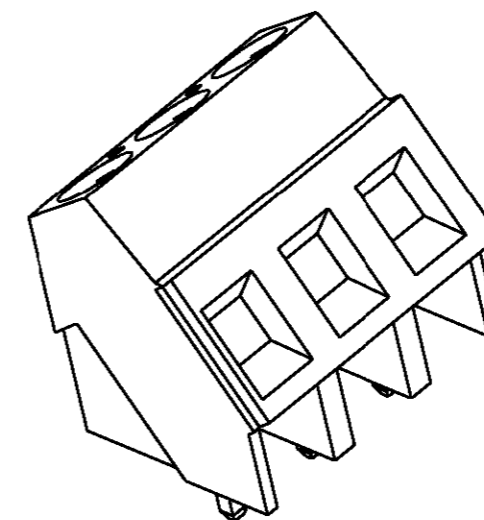
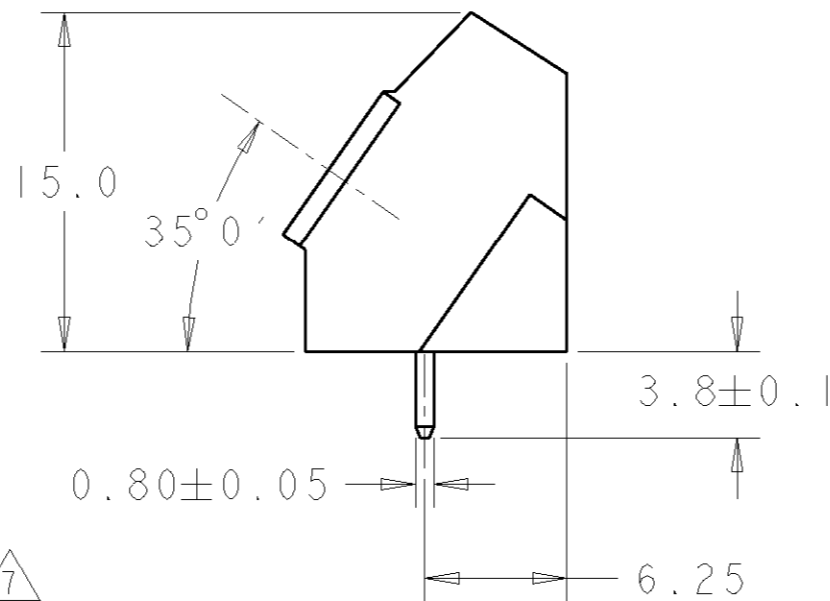
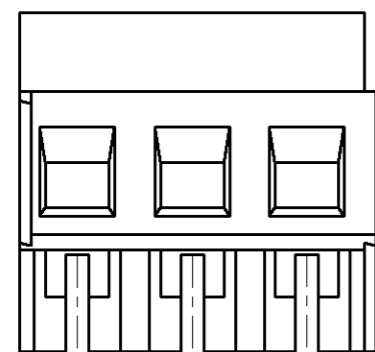
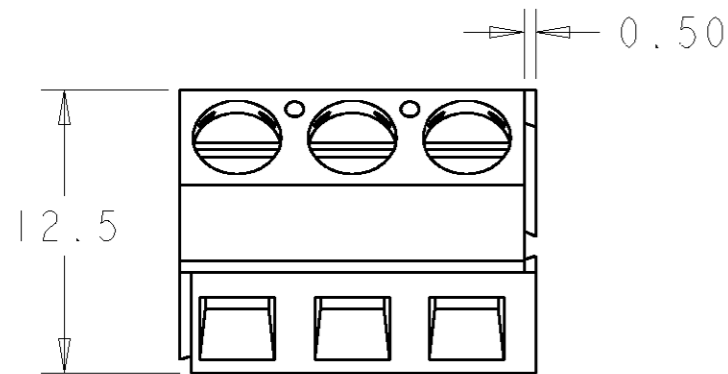


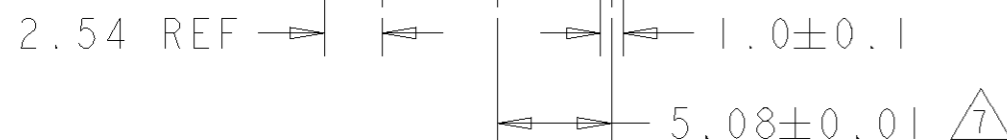
THIS DRAWING IS UNPUBLISHED. RELEASED FOR PUBLICATION  
 © COPYRIGHT BY ALL RIGHTS RESERVED.

LOC	DIST	REVISIONS			
P	LTR	DESCRIPTION	DATE	DWN	APVD
FT	0	C1	REVISED PER ECO-11-005294	03MAY11	RK HMR

- 1 MATERIALS AND FINISH  
 HOUSING: PA 6-6, UL 94-V0, COLOR BLACK.  
 CLAMP: BRASS, NICKEL PLATED.  
 TERMINAL: BRASS, TIN PLATED.  
 CLAMPING SCREW: M3, BRASS, NICKEL PLATED.
- 2 SUITABLE FOR 1,6-2,4mm PCB THICKNESS.
- 3 END-TO-END STACKABLE W/INTERLOCK, WITHOUT LOSS OF CENTERLINE SPACING.
- 4 WIRE SIZE RANGE: 12-30 AWG
- 5 RECOGNIZED UNDER THE COMPONENT PROGRAM OF UNDERWRITERS LABORATORIES INC., FILE N° E60677.
- 6 IMQ CERTIFICATE WITH SURVEILLANCE IN CONFORMITY WITH IEC 998-1/998-2-1.
- 7 NOT CUMULATIVE TOLERANCE.
- 8 WHITE INK STAMPING.
- 9 BUCHANAN LOGO TO APPEAR ON HOUSING, LOCATION OPTIONAL, WHERE SPACE PERMITS.

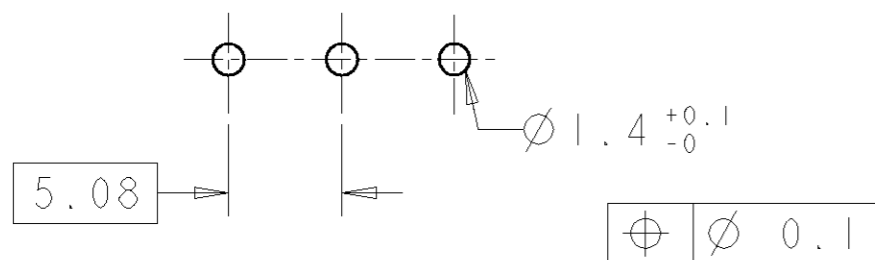


1546074-3 AS SHOWN



8	121.92	24	3-1546074-4
8	121.92	24	3-1546074-3
8	121.92	24	3-1546074-2
8	50.80	10	3-1546074-0
8	40.64	8	2-1546074-8
	121.92	24	2-1546074-4
	116.84	23	2-1546074-3
	111.76	22	2-1546074-2
	106.68	21	2-1546074-1
	101.60	20	2-1546074-0
	96.52	19	1-1546074-9
	91.44	18	1-1546074-8
	86.36	17	1-1546074-7
	81.28	16	1-1546074-6
	76.20	15	1-1546074-5
	45.72	14	1-1546074-4
	66.04	13	1-1546074-3
	60.96	12	1-1546074-2
	55.88	11	1-1546074-1
	50.80	10	1-1546074-0
	45.72	9	1546074-9
	40.64	8	1546074-8
	35.56	7	1546074-7
	30.48	6	1546074-6
	25.40	5	1546074-5
	20.32	4	1546074-4
	15.24	3	1546074-3
	10.16	2	1546074-2
DIM. A	N° POS.	PART NUMBER	

RECOMMENDED PC BOARD LAYOUT



DIMS: mm		TOLERANCES UNLESS OTHERWISE SPECIFIED:		DWN 15MAR2001 E. ZANOLINI		<b>TE</b> TE Connectivity	
		0 PLC ± 1 PLC ±0.3 2 PLC ±0.25 3 PLC ± 4 PLC ± ANGLES ±2		CHR 15MAR2001 D. BIEVENOUR APVD 15MAR2001 D. BIEVENOUR			
MATERIAL		FINISH		PRODUCT SPEC		NAME	
				-		TERMINAL BLOCK, PCB MOUNT ANGLED ENTRY WIRE, STACKING W/INTERLOCK, 5.08mm, PITCH	
-		-		APPLICATION SPEC		SIZE	
-		-		-		CAGE CODE	
-		-		WEIGHT		DRAWING NO	
-		-		-		RESTRICTED TO	
-		-		-		A3 00779	
-		-		-		C=1546074	
-		-		-		SCALE 3:1	
-		-		-		SHEET 1 OF 2	
-		-		-		REV C1	

THIS DRAWING IS UNPUBLISHED.

RELEASED FOR PUBLICATION

© COPYRIGHT

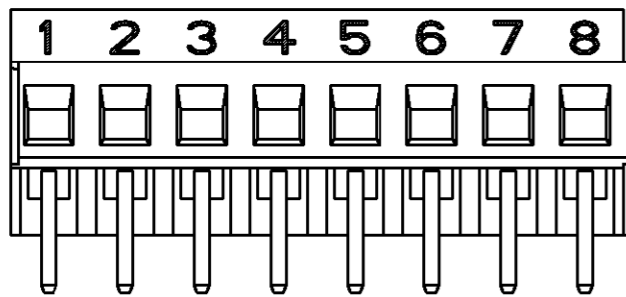
BY

ALL RIGHTS RESERVED.

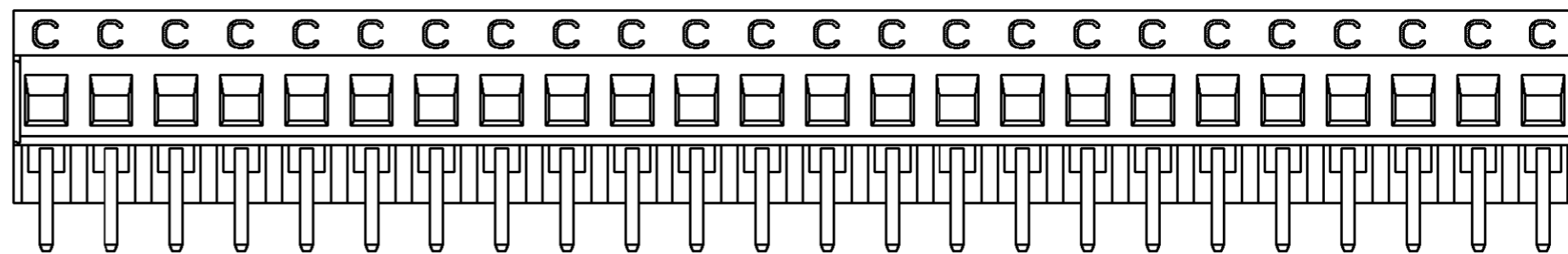
LOC	DIST
FT	0

REVISIONS

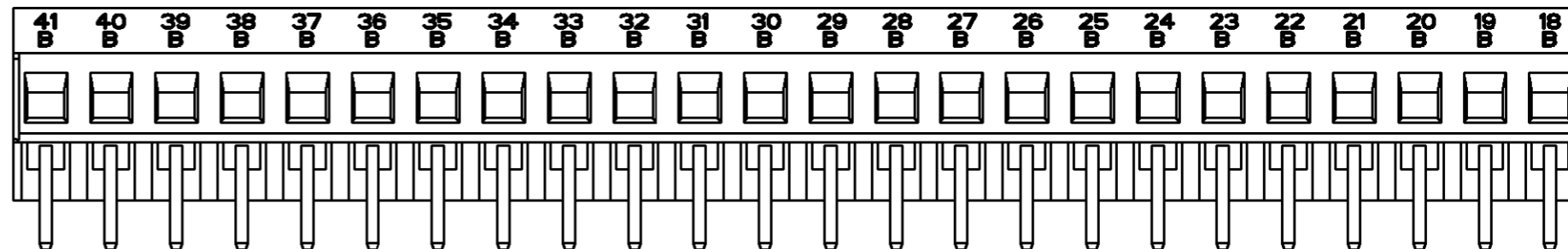
P	LTR	DESCRIPTION	DATE	DWN	APVD
-	-	SEE SHEET 1	-	-	-



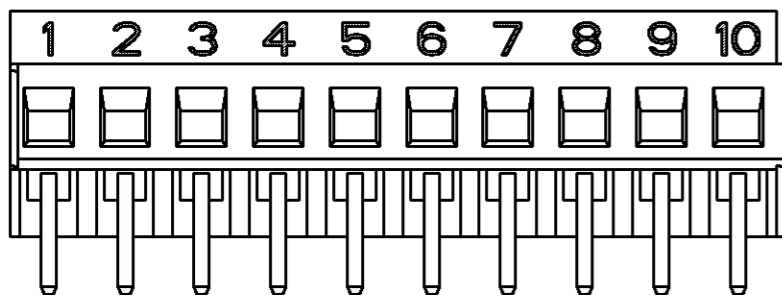
2-1546074-8 AS SHOWN



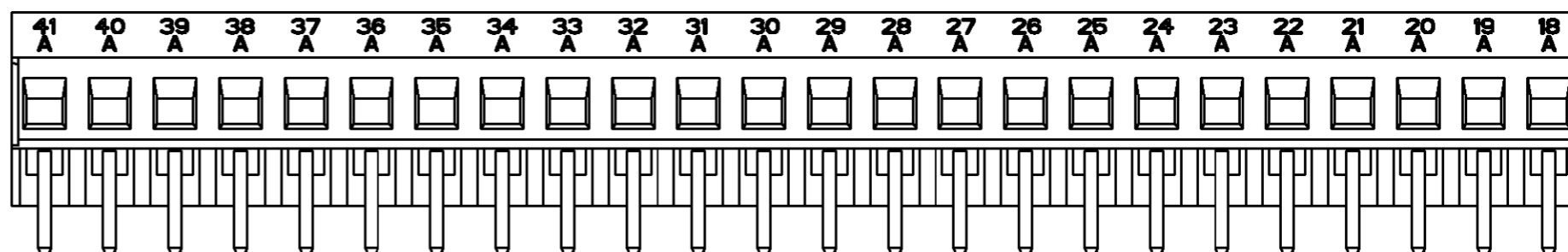
3-1546074-2 AS SHOWN



3-1546074-3 AS SHOWN



3-1546074-0 AS SHOWN



3-1546074-4 AS SHOWN

DIMENSIONS: mm 		TOLERANCES UNLESS OTHERWISE SPECIFIED: 0 PLC ± 1 PLC ± 2 PLC ± 3 PLC ± 4 PLC ± ANGLES ±		DWN 15MAR2001 E. ZANOLINI CHR 15MAR2001 D. BIEVENOUR APVD 15MAR2001 D. BIEVENOUR PRODUCT SPEC APPLICATION SPEC WEIGHT -		<b>TE Connectivity</b> NAME TERMINAL BLOCK, PCB MOUNT ANGLED ENTRY WIRE, STACKING W/ INTERLOCK, 5.08mm, PITCH	
MATERIAL -		FINISH -		CUSTOMER DRAWING		SIZE A3 CAGE CODE 00779 DRAWING NO C-1546074	RESTRICTED TO -
				SCALE 3:1	SHEET 2 OF 2	REV C1	

## X-ON Electronics

Largest Supplier of Electrical and Electronic Components

*Click to view similar products for [Fixed Terminal Blocks](#) category:*

*Click to view products by [TE Connectivity](#) manufacturer:*

Other Similar products are found below :

[MBE-1512](#) [MBE-154](#) [MBE-156](#) [MBES-153](#) [MBES-156](#) [MH-2512](#) [MHE-132](#) [MHE-163](#) [MI-254 \(35\)](#) [MI-272](#) [880507](#) [MPT-275](#)  
[15602-04-08-21](#) [ELM023100](#) [BA311TU](#) [BA411SU](#) [MV-152](#) [MV-252-D](#) [MV-253/NCNOC](#) [MV-254-D](#) [MV-255](#) [MV-462](#) [MV-493](#) [MVE-](#)  
[253](#) [MVE-273](#) [MVEB-153](#) [1700096](#) [1705142](#) [1712417](#) [1713020](#) [1713088](#) [1745195](#) [1760594](#) [1776118-2](#) [1790852](#) [1-796689-8](#) [1-796692-6](#)  
[1800001](#) [1800114](#) [1995279](#) [20020314-C121B01LF](#) [CB2-12](#) [KP03215000J0G](#) [KP04215000J0G](#) [S451](#) [282802-2](#) [29.007](#) [29.116](#) [30.103](#)  
[30.106](#)