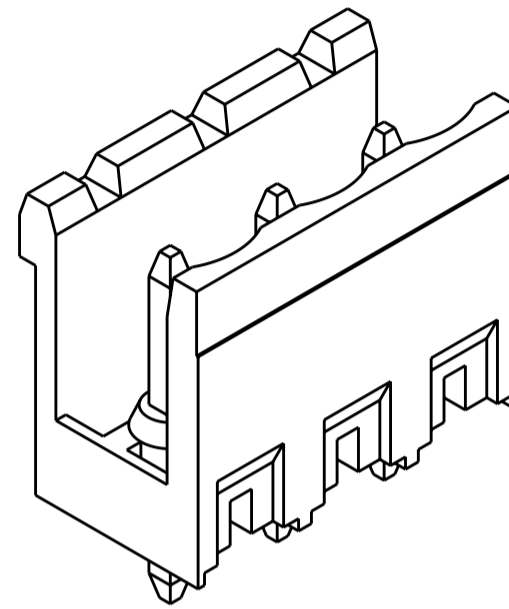
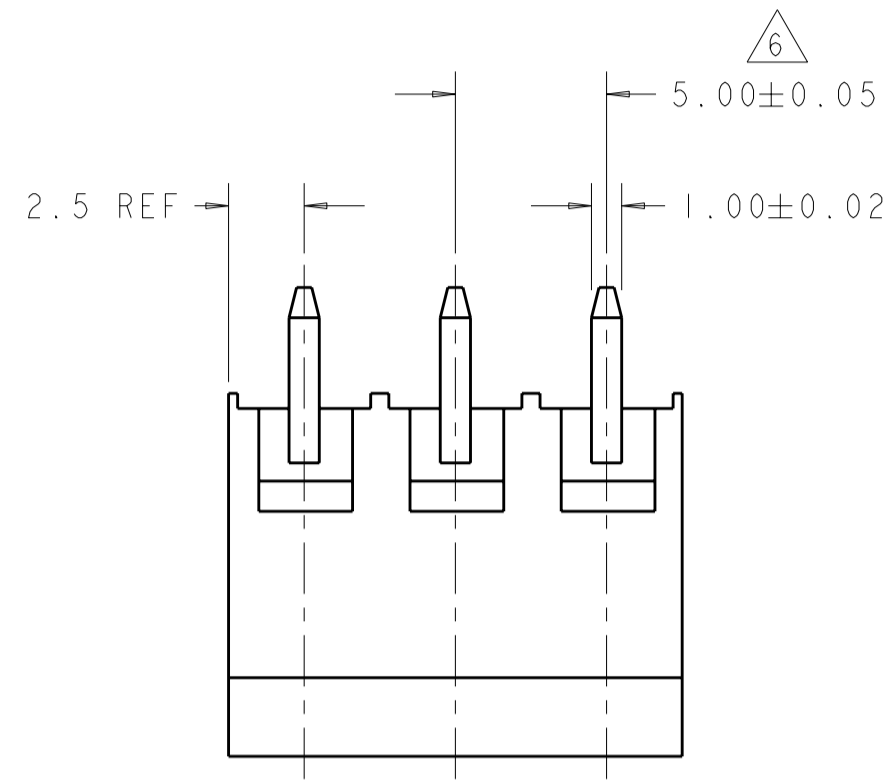


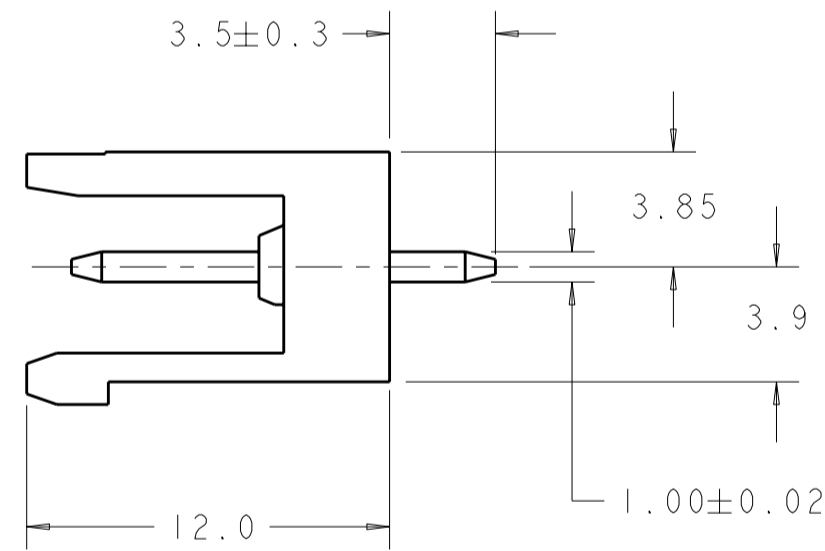
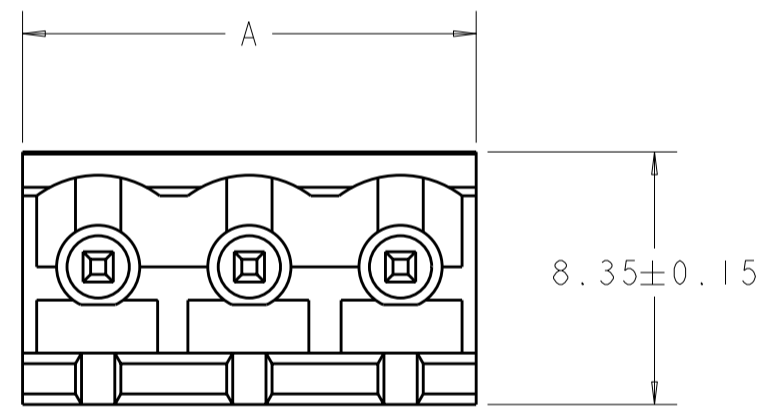
THIS DRAWING IS UNPUBLISHED. RELEASED FOR PUBLICATION 20
 © COPYRIGHT 20 Tyco Electronics AMP GmbH ALL RIGHTS RESERVED.

LOC	DIST	REVISIONS			
P	LTR	DESCRIPTION	DATE	DWN	APVD
FT	0	AI	REVISED PER ECO-12-007964	02MAY2012	KH MS

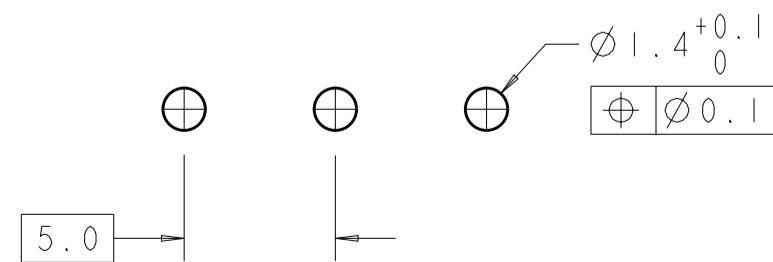


1546212-3 AS SHOWN

- 1. MATERIALS AND FINISH
 HOUSING: PA 6-6, UL 94-V0, COLOR: GRAY.
 TERMINAL: COPPER ALLOY, TIN PLATED.
 - 2. SUITABLE FOR 1,6-2,4mm PC BOARD THICKNESS.
 - 3. END-TO-END STACKABLE WITHOUT LOSS OF CENTERLINE SPACING.
 - 4. RECOGNIZED UNDER THE COMPONENT PROGRAM OF UNDERWRITERS LABORATORIES INC., FILE N° E60677.
 - 5. IMQ CERTIFICATE WITH SURVEILLANCE IN CONFORMITY WITH IEC 998-1/998-2-1.
6. NOT CUMULATIVE TOLERANCE.



125.0	25	2-1546212-5
120.0	24	2-1546212-4
115.0	23	2-1546212-3
110.0	22	2-1546212-2
105.0	21	2-1546212-1
100.0	20	2-1546212-0
95.0	19	1-1546212-9
90.0	18	1-1546212-8
82.0	17	1-1546212-7
80.0	16	1-1546212-6
75.0	15	1-1546212-5
70.0	14	1-1546212-4
65.0	13	1-1546212-3
60.0	12	1-1546212-2
55.0	11	1-1546212-1
50.0	10	1-1546212-0
45.0	9	1546212-9
40.0	8	1546212-8
35.0	7	1546212-7
30.0	6	1546212-6
25.0	5	1546212-5
20.0	4	1546212-4
15.0	3	1546212-3
10.0	2	1546212-2
A	NO OF POSN	PART NUMBER



RECOMMENDED PC BOARD LAYOUT

THIS DRAWING IS A CONTROLLED DOCUMENT.		DWN S.WELDON 27FEB2004	TE Connectivity	
DIMENSIONS: mm		CHK C.RICHARD 27FEB2004		
TOLERANCES UNLESS OTHERWISE SPECIFIED:		APVD C.RICHARD 27FEB2004	NAME: TERMINAL BLOCK HEADER ASSEMBLY	
0 PLC ±.2		PRODUCT SPEC 108-20166	180 DEGREE, OPEN ENDS, STACKING	
1 PLC ±.25		APPLICATION SPEC 114-20079	5.00mm PITCH	
2 PLC ±.25		WEIGHT -	SIZE A2	CAGE CODE 00779
3 PLC ±.		RESTRICTED TO -	DRAWING NO C-1546212	
4 PLC ±.		CUSTOMER DRAWING	SCALE 4:1	SHEET 1 OF 1
ANGLES ±2			REV AI	
FINISH				

X-ON Electronics

Largest Supplier of Electrical and Electronic Components

Click to view similar products for [Pluggable Terminal Blocks](#) category:

Click to view products by [TE Connectivity](#) manufacturer:

Other Similar products are found below :

[57.404.7553](#) [57.504.0053.7](#) [57.510.0053](#) [57.910.6153](#) [01.112.1453](#) [CTB932VE/6](#) [MC 1.5/ 6-ST-3.5 GY AU](#) [ET02015000J0G](#) [734-104](#) [734-302](#) [734-304](#) [8-141-P](#) [FKCT 2.5/ 3-ST KMGY](#) [860505](#) [860508](#) [860516](#) [860810](#) [861908](#) [GBPACX-12](#) [93.731.4953.0](#) [PV05-5,08-K](#) [PVP02-5,00](#) [PVP04-3,50](#) [PVS02-5,00](#) [1-1986160-3](#) [H-10](#) [1546228-5](#) [ELFH09150](#) [ELFH16150](#) [ELFP03110](#) [ELFT06250](#) [ELFT07250](#) [ELVF09400](#) [ELVP03100](#) [ELXH03100](#) [ELXH071G0E](#) [ELXP041G0](#) [ELXT046G0](#) [1700101](#) [1700410](#) [1700425](#) [1703176](#) [1705229](#) [1710175](#) [1714537](#) [1717806](#) [1719600](#) [1729386](#) [1734692](#) [1734795](#)