

THIS DRAWING IS UNPUBLISHED. RELEASED FOR PUBLICATION  
 © COPYRIGHT - By - ALL RIGHTS RESERVED.

REVISIONS					
P	LTR	DESCRIPTION	DATE	DWN	APVD
	T5	PART STATUS UPDATED	22JAN2018	RK	PS

PHYSICAL PROPERTIES:  
 HOUSING MATERIAL: PBT  
 FLAMMABILITY: UL94V-0  
 COLOR: BLACK  
 MAX BOW/WARP: .0056 IN/IN.

MECHANICAL:  
 PITCH (TERMINAL SPACING): .563"  
 WIRE RANGE: 10-22 AWG  
 RECOMMENDED TIGHTENING TORQUE: 14IN-LBS MAX.

TERMINAL:  
 TERMINALS: BRASS, TIN PLATED. (UNLESS OTHERWISE STATED)  
 SCREWS: 8-32 STEEL, NICKEL PLATED. (UNLESS OTHERWISE STATED)  
 Q.C. TABS: BRASS, NICKEL PLATED.

ELECTRICAL PROPERTIES:  
 MAXIMUM CURRENT: 30A  
 OPERATING VOLTAGE: 300V

ENVIRONMENTAL PROPERTIES:  
 OPERATING TEMP RANGE: -40°C TO 120°C

- STAINLESS STEEL SCREWS.
- WHITE INK STAMP.
- NICKEL PLATED BRASS TERMINALS.
- NICKEL PLATED BRASS SCREWS.
- SEE FIGURE.
- PRELIMINARY PART NUMBER.
- OBSOLETE PART NUMBER.
- TE CONNECTIVITY LOGO LOCATED APPROXIMATE AREA SHOWN.

												7.886	8.323	13	1-1546310-3		
												7.323	7.760	12	4-1546310-8		
		8						12	12	12		7.323	7.760	12	4-1546310-7		
								12	12	12		7.323	7.760	12	4-1546310-6		
												7.323	7.760	12	1-1546310-2		
												6.760	7.179	11	1-1546310-1		
												6.197	6.634	10	1-1546310-0		
												5.634	6.071	9	1546310-9		
											8	5.071	5.508	8	4-1546310-5		
		8	8									5.071	5.508	8	2-1546310-9		
												5.071	5.508	8	1546310-8		
								7				4.508	4.945	7	3-1546310-8		
												4.508	4.945	7	1546310-7		
											6	3.945	4.382	6	4-1546310-4		
												3.945	4.382	6	4-1546310-3		
											6	3.945	4.382	6	4-1546310-2		
												3.945	4.382	6	3-1546310-1		
								6				3.945	4.382	6	3-1546310-0		
		6	6									3.945	4.382	6	2-1546310-8		
		1	1				5	1				3.945	4.382	6	2-1546310-6		
									6			3.945	4.382	6	2-1546310-3		
									6			3.945	4.382	6	2-1546310-2		
											6	3.945	4.382	6	2-1546310-1		
											6	3.945	4.382	6	1546636-1		
						6					6	3.945	4.382	6	1-1546310-9		
						6						3.945	4.382	6	1546589-1		
												3.945	4.382	6	1546310-6		
										5							
												3.382	3.819	5	3-1546310-7		
		1	1									3.382	3.819	5	2-1546310-7		
												3.382	3.819	5	1546310-5		
											4	2.819	3.256	4	5-1546310-0		
												2.819	3.256	4	4-1546310-1		
												2.819	3.256	4	4-1546310-0		
												2.819	3.256	4	3-1546310-9		
												2.819	3.256	4	1546310-4		
												2.256	2.693	3	2-1546310-5		
											3	2.256	2.693	3	2-1546310-4		
					1	2					1	2.256	2.693	3	2-1546310-0		
												2.256	2.693	3	1546310-3		
											2	1.693	2.130	2	5-1546310-1		
												1.693	2.130	2	1546310-2		

NOTES

9 OTB JUMPER

8 .250 QC TAB 90° DOUBLE SIDE

7 .250 QC TAB 90°/45° DOUBLE SIDE

6 .250 QC TAB 90° DOUBLE SIDE

5 .250 QC TAB 45° DOUBLE SIDE

4 .250 QC TAB STRAIGHT DOUBLE SIDE

3 .250 QC TAB 90° SINGLE SIDE

2 .250 QC TAB 45° SINGLE SIDE

1 .250 QC TAB STRAIGHT SINGLE SIDE

THIS DRAWING IS A CONTROLLED DOCUMENT.

DWN	S SCHLEGEL	16FEB2007		TE Connectivity Ltd.
CHK	S YODER	2/16/07		
APVD	S YODER	2/16/07		
PRODUCT SPEC				
APPLICATION SPEC				
WEIGHT				
MATERIAL				
FINISH				
CUSTOMER DRAWING				

DIMENSIONS: INCHES

TOLERANCES UNLESS OTHERWISE SPECIFIED:

0 PLC	±	-
1 PLC	±	-
2 PLC	±	-
3 PLC	±	-
4 PLC	±	-
ANGLES	±	-

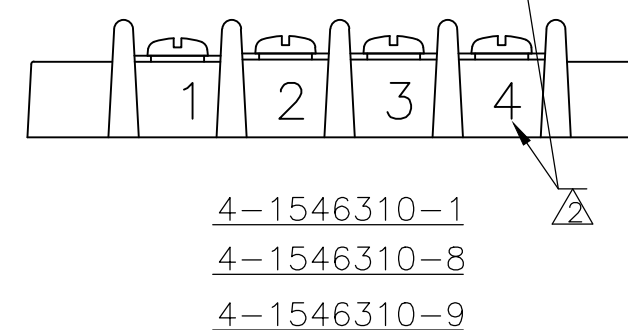
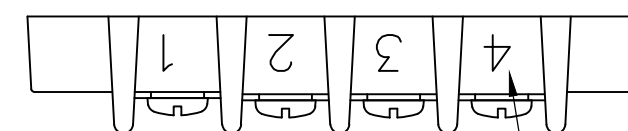
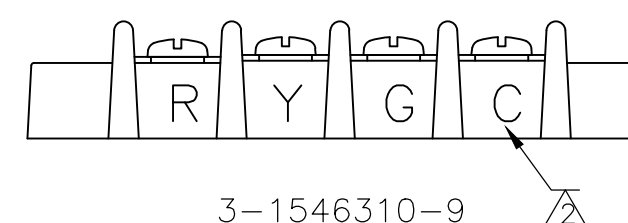
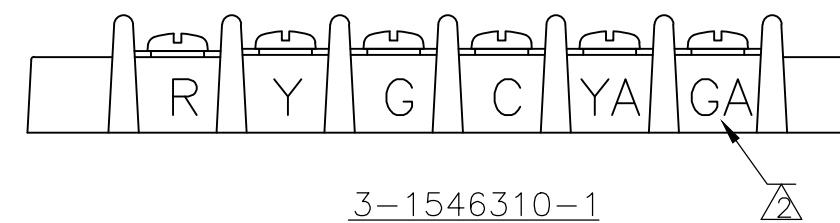
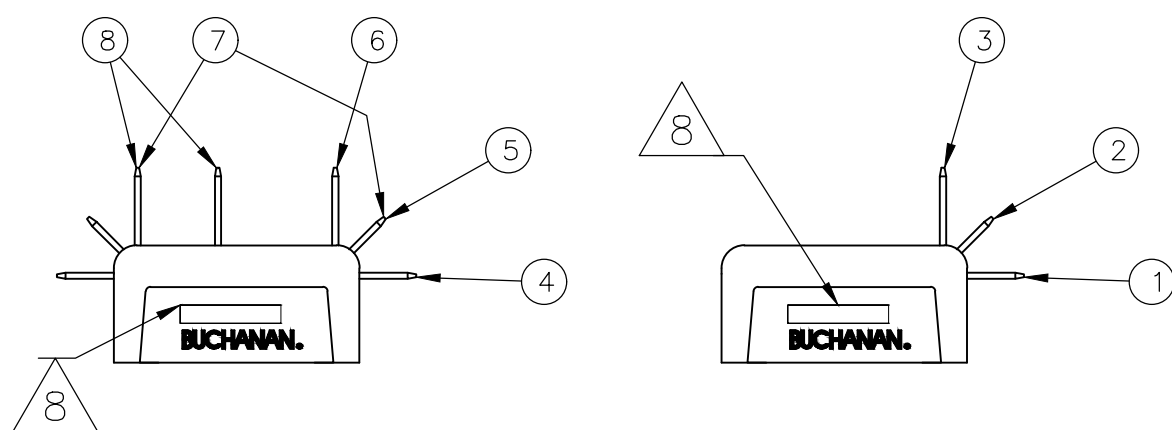
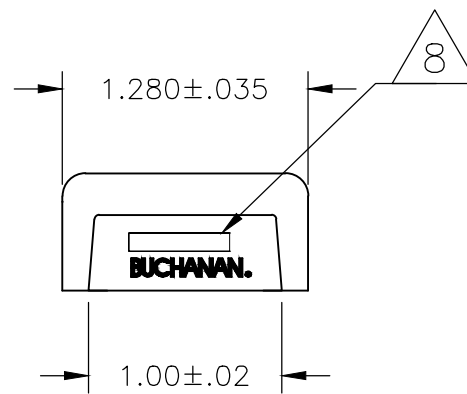
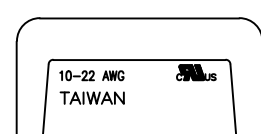
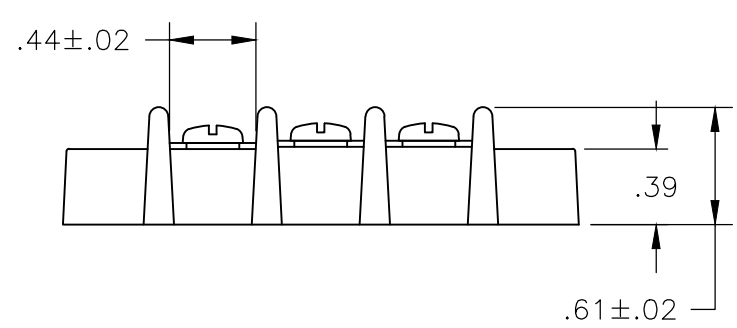
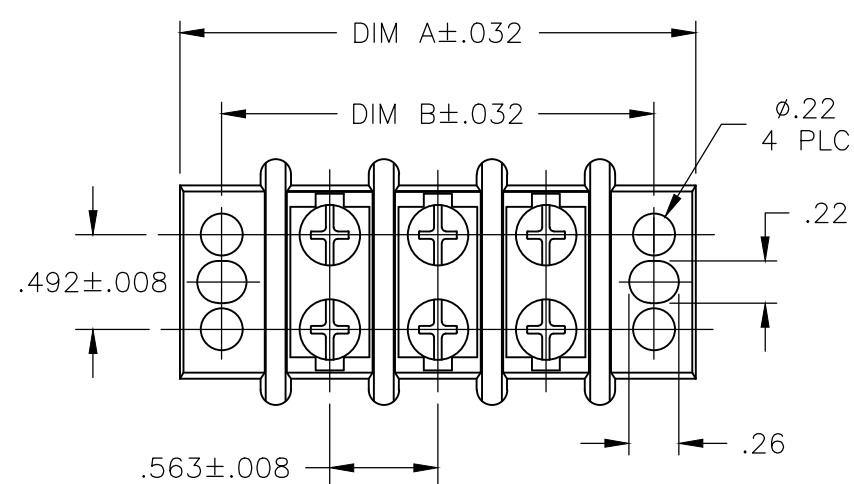
NAME: 14.3 (.563) DBL ROW BARRIER STRIP W/O WASHER

SIZE: A2 CAGE CODE: 00779 DRAWING NO: C=1546310 RESTRICTED TO: -

SCALE: NTS SHEET: 1 of 4 REV: T5

THIS DRAWING IS UNPUBLISHED. RELEASED FOR PUBLICATION  
 © COPYRIGHT - By - ALL RIGHTS RESERVED.

REVISIONS				
P	LTR	DESCRIPTION	DATE	APVD
-	-	SEE SHEET 1	-	-



REV	DESCRIPTION	DATE	BY	CHKD	APVD	QTY	POSN	DIM B	DIM A	NO. OF POSN	PART NUMBER
2						2		1.693	2.130		5-1546310-1
								10.701	11.138	18	1-1546310-8
								10.138	10.575	17	1-1546310-7
								9.575	10.012	16	1-1546310-6
								9.012	9.449	15	1-1546310-5
6						14	14	8.449	8.886	14	4-1546310-9
7								8.449	8.886	14	1-1546310-4

NOTES: 9 OTB JUMPER; 8 .250 QC TAB 90° DOUBLE SIDE; 7 .250 QC TAB 90°/45° DOUBLE SIDE; 6 .250 QC TAB 90° DOUBLE SIDE; 5 .250 QC TAB 45° DOUBLE SIDE; 4 .250 QC TAB STRAIGHT DOUBLE SIDE; 3 .250 QC TAB 90° SINGLE SIDE; 2 .250 QC TAB 45° SINGLE SIDE; 1 .250 QC TAB STRAIGHT SINGLE SIDE

THIS DRAWING IS A CONTROLLED DOCUMENT.

DWN	S SCHLEGEL	16FEB2007
CHK	S YODER	2/16/07
APVD	S YODER	2/16/07
PRODUCT SPEC		
APPLICATION SPEC		
WEIGHT		

TE Connectivity Ltd.

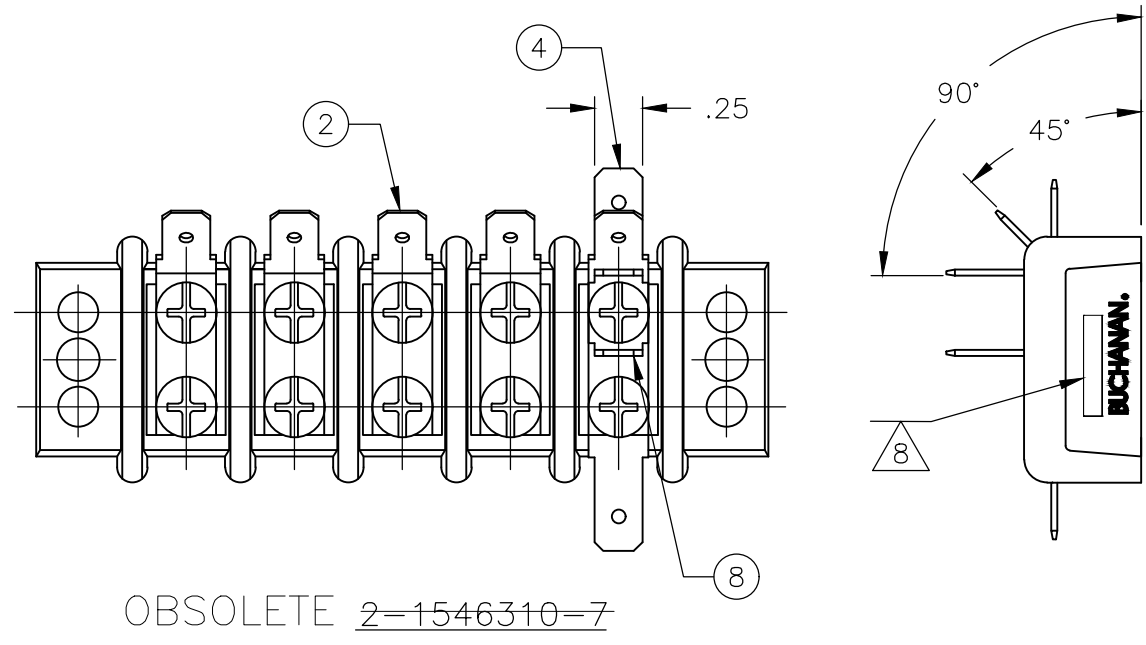
14.3 (.563) DBL ROW BARRIER STRIP W/O WASHER

SCALE: A2 00779 C=1546310

CUSTOMER DRAWING

THIS DRAWING IS UNPUBLISHED. RELEASED FOR PUBLICATION  
 © COPYRIGHT - By - ALL RIGHTS RESERVED.

REVISIONS					
P	LTR	DESCRIPTION	DATE	DWN	APVD
-	-	SEE SHEET 1	-	-	-

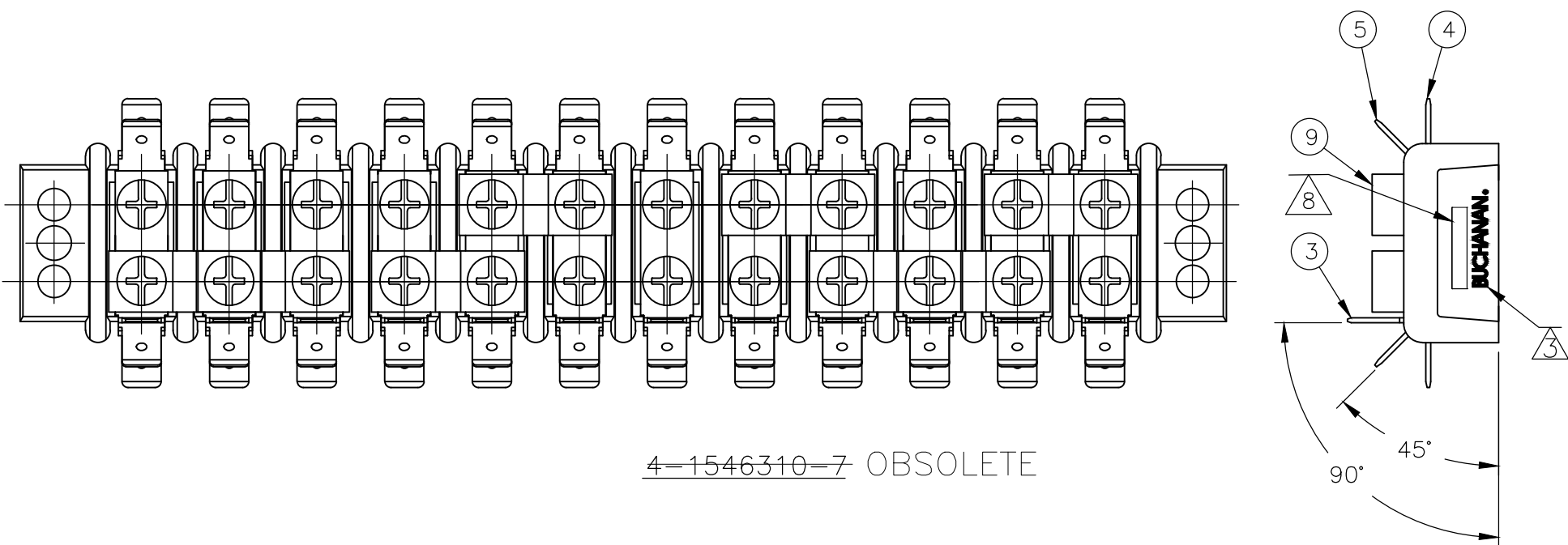


1546310

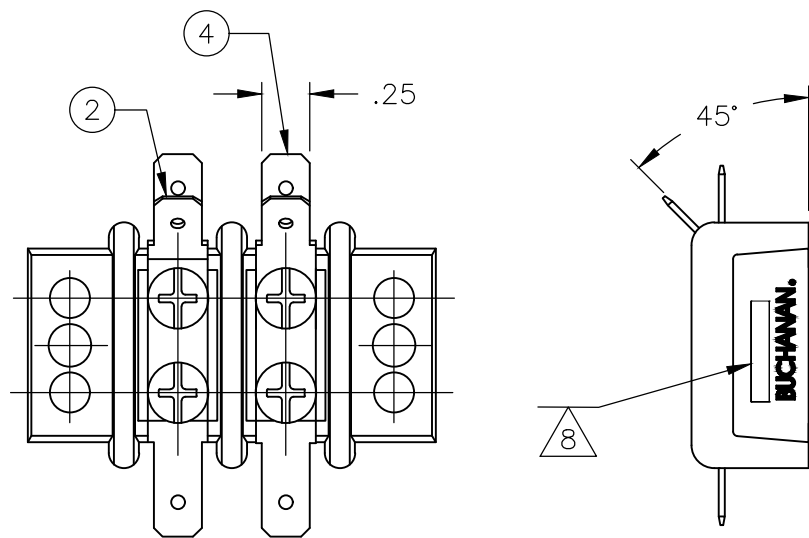
THIS DRAWING IS A CONTROLLED DOCUMENT.		DWN S SCHLEGEL 16FEB2007	TE Connectivity Ltd.	
DIMENSIONS: INCHES		CHK S YODER 2/16/07		
TOLERANCES UNLESS OTHERWISE SPECIFIED:		APVD S YODER 2/16/07	NAME 14.3 (.563) DBL ROW BARRIER STRIP W/O WASHER	
0 PLC ± - 1 PLC ± - 2 PLC ± - 3 PLC ± - 4 PLC ± - ANGLES ± -		PRODUCT SPEC -	SIZE A2	CAGE CODE 00779
MATERIAL -		FINISH -	DRAWING NO C=1546310	RESTRICTED TO -
CUSTOMER DRAWING		WEIGHT -	SCALE NTS	SHEET 3 OF 4
		REV T5		

THIS DRAWING IS UNPUBLISHED. RELEASED FOR PUBLICATION  
 © COPYRIGHT - By - ALL RIGHTS RESERVED.

REVISIONS				
P	LTR	DESCRIPTION	DATE	APVD
-	-	SEE SHEET 1	-	-



4-1546310-7 OBSOLETE



5-1546310-1

THIS DRAWING IS A CONTROLLED DOCUMENT.		DWN 16FEB2007 S SCHLEGEL	TE Connectivity Ltd.	
DIMENSIONS: INCHES		CHK 2/16/07 S YODER		
TOLERANCES UNLESS OTHERWISE SPECIFIED:		APVD 2/16/07 S YODER	NAME 14.3 (.563) DBL ROW BARRIER STRIP W/O WASHER	
0 PLC ± - 1 PLC ± - 2 PLC ± - 3 PLC ± - 4 PLC ± - ANGLES ± -		PRODUCT SPEC -	SIZE A2 CAGE CODE 00779 DRAWING NO C=1546310 RESTRICTED TO -	
MATERIAL -		FINISH -	SCALE NTS SHEET 4 OF 4 REV T5	
CUSTOMER DRAWING				

## X-ON Electronics

Largest Supplier of Electrical and Electronic Components

*Click to view similar products for [Barrier Terminal Blocks](#) category:*

*Click to view products by [TE Connectivity](#) manufacturer:*

Other Similar products are found below :

[CR151D20104](#) [670A-RZ-15-KT20](#) [6C1N03](#) [6PCR-02](#) [6PCR-02-008](#) [6PCR-05-008](#) [6PCR-08-008](#) [6PCR-09-008](#) [6PCR-13-006](#) [6PCR-15-006](#) [6PCR-21-006](#) [6PCV-06-008](#) [6PCV-06-716](#) [6PCV-09-001](#) [6PCV-10-009](#) [6PCV-15-008](#) [6PCV-17-1206](#) [6PCV-20-323](#) [6PCV-20-720](#) [6PCV-30-006](#) [6STR-06-006](#) [6STR-08-006](#) [6STR-12-008](#) [6STR-13-006](#) [6STR-14-008](#) [6STR-16-008](#) [6STR-17-008](#) [6STR-21-008](#) [6STR-25-008](#) [6STR-27-008](#) [6STV-03-006](#) [6STV-03-008](#) [6STV-04-006](#) [6STV-09-006](#) [6STV-10-006](#) [6WWR-03-693](#) [6WWV-12-008](#) [72212603](#) [72504-C-50](#) [72506-C](#) [72507-C-50](#) [73203](#) [75505-C](#) [75505-C-50](#) [75510-C](#) [77010-50](#) [7C1N08](#) [812-GP-3/4ST-09](#) [8-1437402-5](#) [8PCR-06-006](#)