

THIS DRAWING IS UNPUBLISHED. RELEASED FOR PUBLICATION - . - .
© COPYRIGHT - By - ALL RIGHTS RESERVED.

REVISIONS					
P	LTR	DESCRIPTION	DATE	DWN	APVD
	T5	PART STATUS UPDATED	22JAN2018	RK	PS

PHYSICAL PROPERTIES:
HOUSING MATERIAL: PBT
FLAMMABILITY: UL94V-0
COLOR: BLACK
MAX BOW/WARP: .0056 IN/IN.

MECHANICAL:
PITCH (TERMINAL SPACING): .563"
WIRE RANGE: 10-22 AWG
RECOMMENDED TIGHTENING TORQUE: 14IN-LBS MAX.

TERMINAL:
TERMINALS: BRASS, TIN PLATED. (UNLESS OTHERWISE STATED)
SCREWS: 8-32 STEEL, NICKEL PLATED. (UNLESS OTHERWISE STATED)
Q.C. TABS: BRASS, NICKEL PLATED.

ELECTRICAL PROPERTIES:
MAXIMUM CURRENT: 30A
OPERATING VOLTAGE: 300V

ENVIRONMENTAL PROPERTIES:
OPERATING TEMP RANGE: -40°C TO 120°C

- △ STAINLESS STEEL SCREWS.
- △ WHITE INK STAMP.
- △ NICKEL PLATED BRASS TERMINALS.
- △ NICKEL PLATED BRASS SCREWS.
- △ SEE FIGURE.
- △ PRELIMINARY PART NUMBER.
- △ OBSOLETE PART NUMBER.
- △ TE CONNECTIVITY LOGO LOCATED APPROXIMATE AREA SHOWN.

△6/5	-	-	-	-	-	-	-	-	-	-	7.886	8.323	13	1-1546310-3								
△2/7	-	-	-	-	-	-	-	-	12	12	7.323	7.760	12	4-1546310-8								
△	-	8	-	-	-	-	12	12	12	-	7.323	7.760	12	4-1546310-7								
△	-	-	-	-	-	12	12	12	-	-	7.323	7.760	12	4-1546310-6								
	-	-	-	-	-	-	-	-	-	-	7.323	7.760	12	1-1546310-2								
	-	-	-	-	-	-	-	-	-	-	6.760	7.179	11	1-1546310-1								
	-	-	-	-	-	-	-	-	-	-	6.197	6.634	10	1-1546310-0								
	-	-	-	-	-	-	-	-	-	-	5.634	6.071	9	1546310-9								
△4/7	-	-	-	-	-	-	-	-	-	-	8	5.071	5.508	8	4-1546310-5							
	-	8	8	-	-	-	-	-	-	-	5.071	5.508	8	2-1546310-9								
	-	-	-	-	-	-	-	-	-	-	5.071	5.508	8	1546310-8								
△	-	-	-	-	-	-	7	-	-	-	4.508	4.945	7	3-1546310-8								
	-	-	-	-	-	-	-	-	-	-	4.508	4.945	7	1546310-7								
△4/7	-	-	-	-	-	-	-	-	-	-	6	3.945	4.382	6	4-1546310-4							
△4/7	-	-	-	-	-	-	-	-	-	-	6	3.945	4.382	6	4-1546310-3							
△	-	-	-	-	-	-	-	-	-	-	6	3.945	4.382	6	4-1546310-2							
△5/3/2/1/7	-	-	-	-	-	-	-	-	-	-	6	3.945	4.382	6	3-1546310-1							
	-	-	-	-	-	-	6	-	-	-	3.945	4.382	6	3-1546310-0								
	-	6	6	-	-	-	-	-	-	-	3.945	4.382	6	2-1546310-8								
△5/4/3/7	-	1	1	-	-	-	5	1	-	-	3.945	4.382	6	2-1546310-6								
△1/7	-	-	-	-	-	-	-	-	6	-	3.945	4.382	6	2-1546310-3								
△1/7	-	-	-	-	-	6	-	-	-	-	3.945	4.382	6	2-1546310-2								
△7	-	-	-	-	-	-	-	-	-	6	3.945	4.382	6	2-1546310-1								
△5/2/7	-	-	-	-	-	-	-	-	-	6	3.945	4.382	6	1546636-1								
△6/1	-	-	-	6	-	-	-	-	6	-	3.945	4.382	6	1-1546310-9								
△1	-	-	-	6	-	-	-	-	-	-	3.945	4.382	6	1546589-1								
	-	-	-	-	-	-	-	-	-	-	3.945	4.382	6	1546310-6								
	-	-	-	-	-	-	5	-	-	-	3.382	3.819	5	3-1546310-7								
△5/4/3/7	-	1	1	-	-	-	-	1	-	5	3.382	3.819	5	2-1546310-7								
	-	-	-	-	-	-	-	-	-	-	3.382	3.819	5	1546310-5								
△2/6	-	-	-	-	-	-	-	-	4	4	2.819	3.256	4	5-1546310-0								
△5/4/3/2/7	-	-	-	-	-	-	-	-	-	-	2.819	3.256	4	4-1546310-1								
△4/4	-	-	-	-	-	-	-	-	-	-	2.819	3.256	4	4-1546310-0								
△5/3/2/1/7	-	-	-	-	-	-	-	-	-	-	2.819	3.256	4	3-1546310-9								
	-	-	-	-	-	-	-	-	-	-	2.819	3.256	4	1546310-4								
△4/3/7	-	-	-	-	-	-	-	-	-	-	2.256	2.693	3	2-1546310-5								
△5/1/7	-	-	-	-	-	-	-	-	3	1	2.256	2.693	3	2-1546310-4								
△6/5/1	-	-	-	1	2	-	-	-	1	-	2.256	2.693	3	2-1546310-0								
	-	-	-	-	-	-	-	-	-	-	2.256	2.693	3	1546310-3								
	-	-	-	-	-	-	-	2	-	-	1.693	2.130	2	5-1546310-1								
	-	-	-	-	-	-	-	-	-	-	1.693	2.130	2	1546310-2								
NOTES	(9)	OTB JUMPER	(8)	.250 QC TAB 90° DOUBLE SIDE	(7)	.250 QC TAB 90°/45° DOUBLE SIDE	(6)	.250 QC TAB 90° DOUBLE SIDE	(5)	.250 QC TAB 45° DOUBLE SIDE	(4)	.250 QC TAB STRAIGHT DOUBLE SIDE	(3)	.250 QC TAB 90° SINGLE SIDE	(2)	.250 QC TAB 45° SINGLE SIDE	(1)	.250 QC TAB STRAIGHT SINGLE SIDE	DIM B	DIM A	NO. OF POSN	PART NUMBER

THIS DRAWING IS A CONTROLLED DOCUMENT.

DWN S SCHLEGEL 16FEB2007
CHK S YODER 2/16/07
APVD S YODER 2/16/07
PRODUCT SPEC
APPLICATION SPEC

TE Connectivity Ltd.

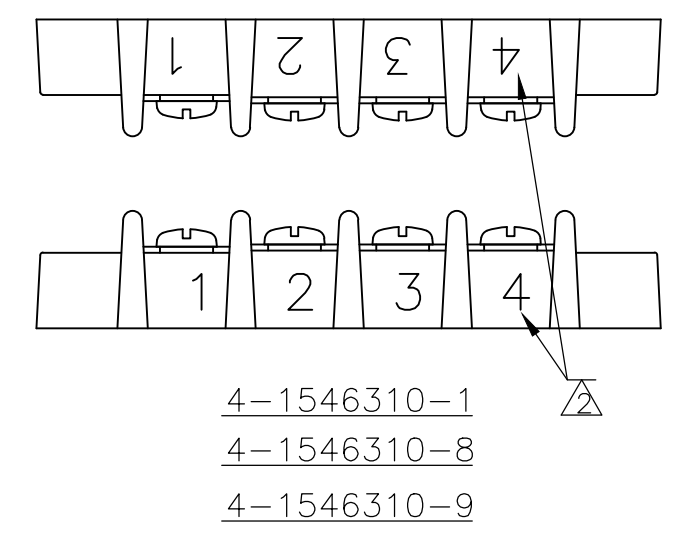
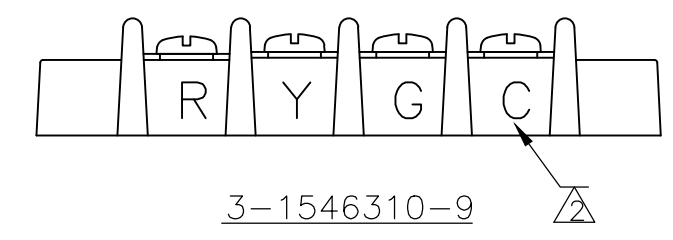
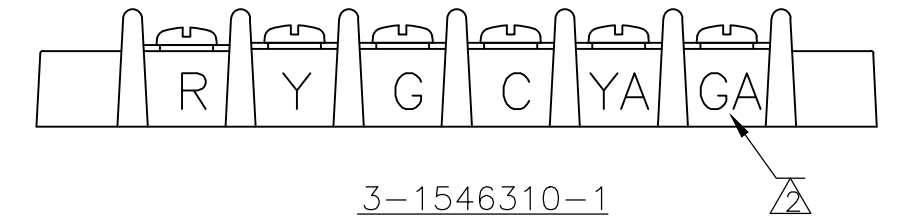
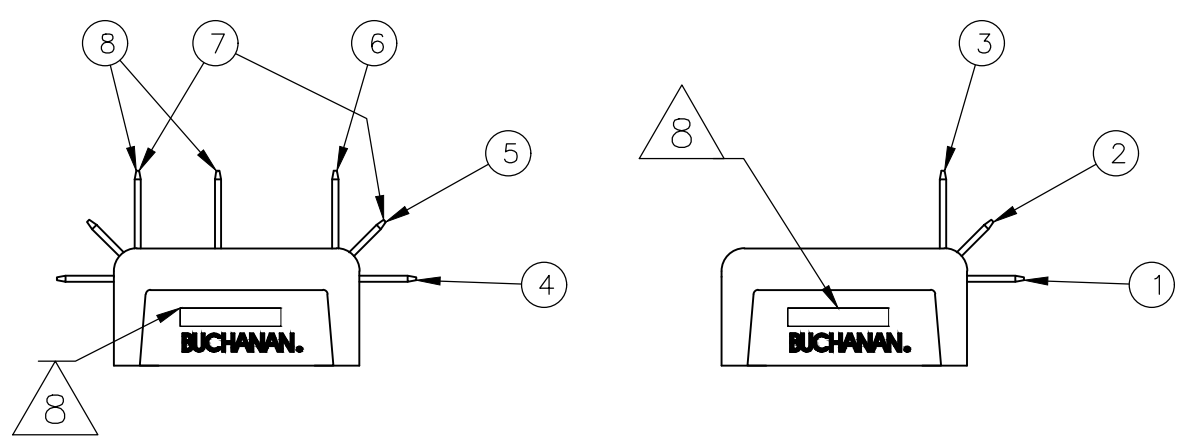
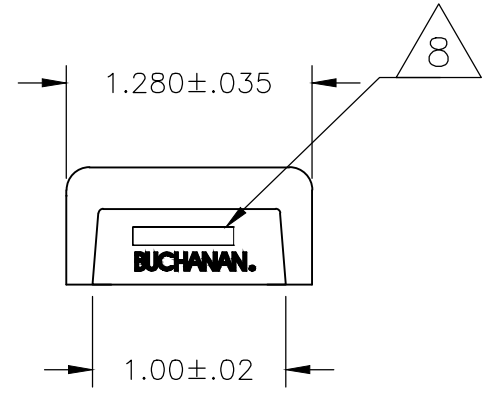
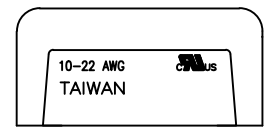
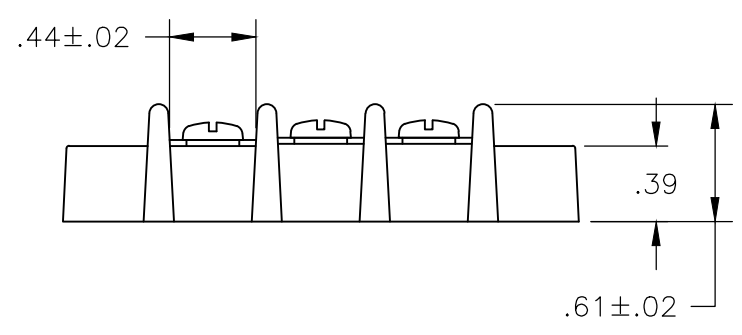
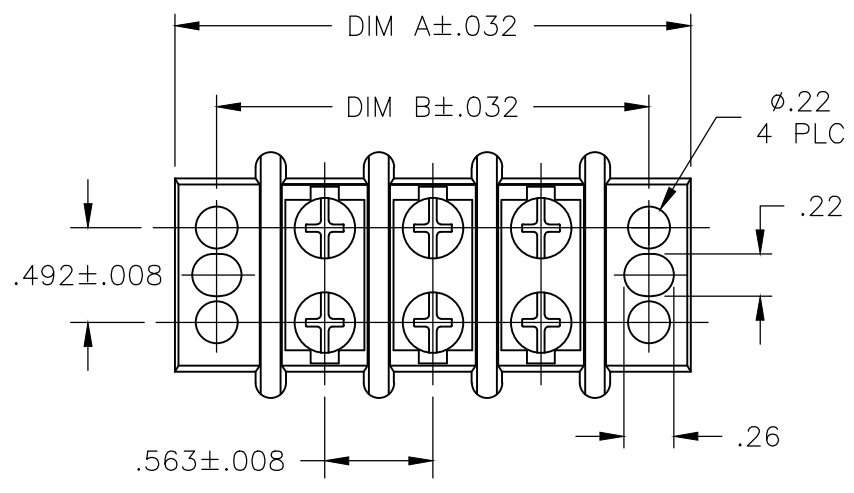
NAME 14.3 (.563) DBL ROW BARRIER STRIP W/O WASHER

SIZE A2 CAGE CODE 00779 DRAWING NO C=1546310 RESTRICTED TO -
SCALE NTS SHEET 1 OF 4 REV T5

MATERIAL - FINISH - WEIGHT -
CUSTOMER DRAWING

THIS DRAWING IS UNPUBLISHED. RELEASED FOR PUBLICATION
 © COPYRIGHT - By - ALL RIGHTS RESERVED.

REVISIONS				
P	LTR	DESCRIPTION	DATE	APVD
-	-	SEE SHEET 1	-	-



REV	DESCRIPTION	DATE	BY	CHKD	APVD	QTY	POSN	DIM B	DIM A	NO. OF POSN	PART NUMBER
2						2		1.693	2.130		5-1546310-1
								10.701	11.138	18	1-1546310-8
								10.138	10.575	17	1-1546310-7
								9.575	10.012	16	1-1546310-6
								9.012	9.449	15	1-1546310-5
6						14	14	8.449	8.886	14	4-1546310-9
								8.449	8.886	14	1-1546310-4

THIS DRAWING IS A CONTROLLED DOCUMENT.

DWN	S SCHLEGEL	16FEB2007
CHK	S YODER	2/16/07
APVD	S YODER	2/16/07
PRODUCT SPEC		
APPLICATION SPEC		
WEIGHT		

TE Connectivity Ltd.

14.3 (.563) DBL ROW BARRIER STRIP W/O WASHER

SCALE: A2 00779 C=1546310

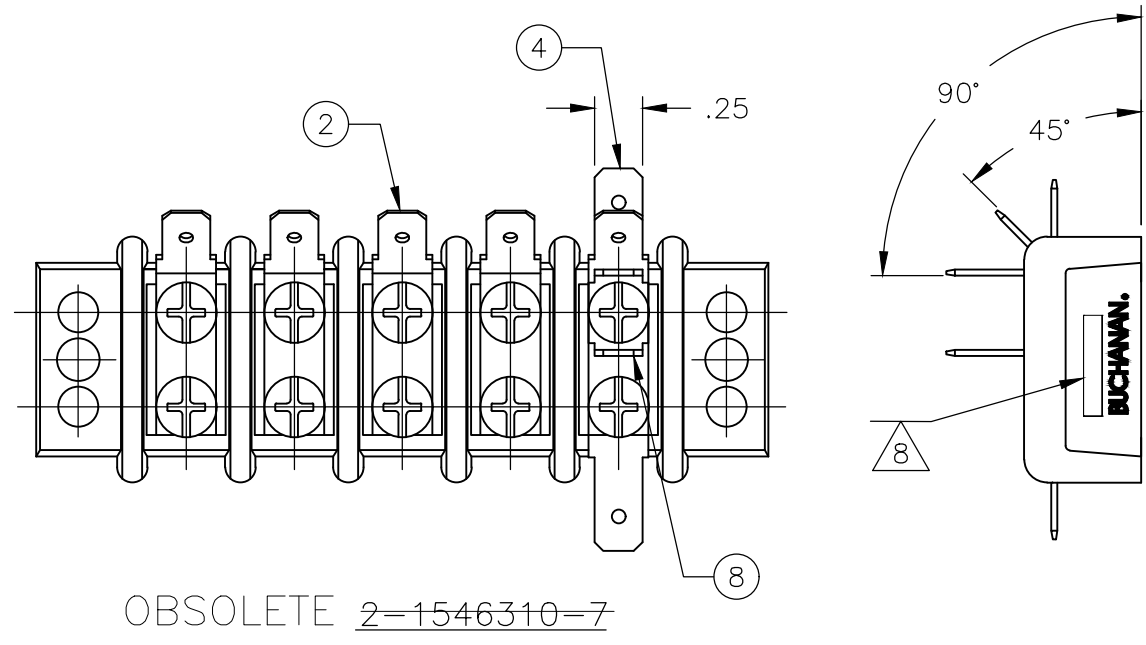
CUSTOMER DRAWING

SCALE: NTS SHEET: 2 OF 4 REV: T5


1546310

THIS DRAWING IS UNPUBLISHED. RELEASED FOR PUBLICATION
 © COPYRIGHT - By - ALL RIGHTS RESERVED.

REVISIONS					
P	LTR	DESCRIPTION	DATE	DWN	APVD
-	-	SEE SHEET 1	-	-	-

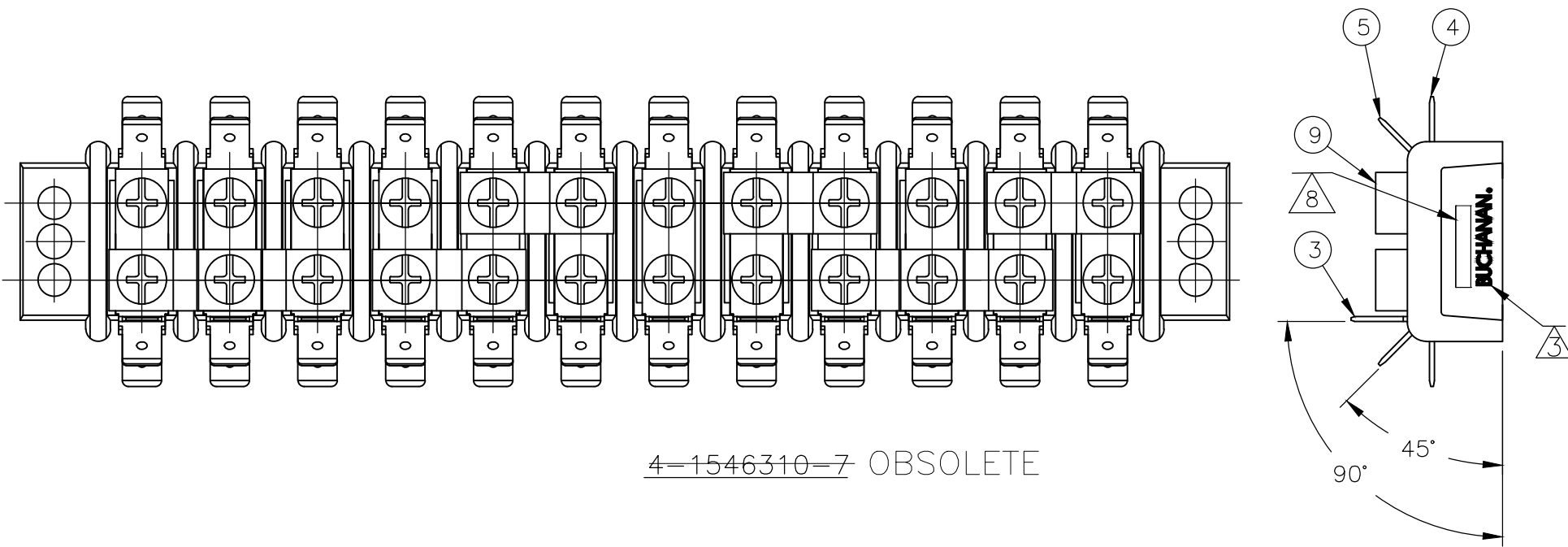


1546310

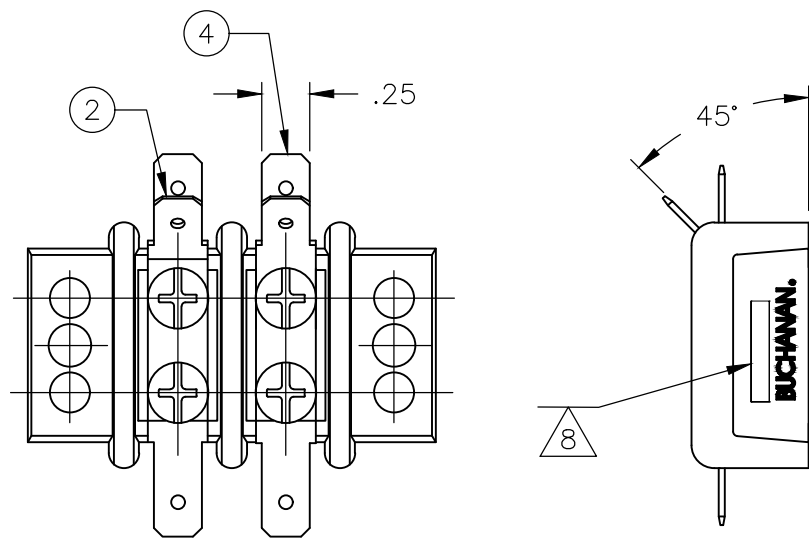
THIS DRAWING IS A CONTROLLED DOCUMENT.		DWN S SCHLEGEL 16FEB2007	 TE Connectivity Ltd.	
DIMENSIONS: INCHES		CHK S YODER 2/16/07		
TOLERANCES UNLESS OTHERWISE SPECIFIED:		APVD S YODER 2/16/07	NAME 14.3 (.563) DBL ROW BARRIER STRIP W/O WASHER	
0 PLC ± - 1 PLC ± - 2 PLC ± - 3 PLC ± - 4 PLC ± - ANGLES ± -		PRODUCT SPEC -	SIZE A2	CAGE CODE 00779
MATERIAL -		FINISH -	DRAWING NO C=1546310	RESTRICTED TO -
CUSTOMER DRAWING			SCALE NTS	SHEET 3 OF 4
			REV T5	

THIS DRAWING IS UNPUBLISHED. RELEASED FOR PUBLICATION
 © COPYRIGHT - By - ALL RIGHTS RESERVED.

REVISIONS				
P	LTR	DESCRIPTION	DATE	APVD
-	-	SEE SHEET 1	-	-



4-1546310-7 OBSOLETE



5-1546310-1

THIS DRAWING IS A CONTROLLED DOCUMENT.		DWN 16FEB2007 S SCHLEGEL	TE Connectivity Ltd.	
DIMENSIONS: INCHES		CHK 2/16/07 S YODER		
TOLERANCES UNLESS OTHERWISE SPECIFIED:		APVD 2/16/07 S YODER	NAME 14.3 (.563) DBL ROW BARRIER STRIP W/O WASHER	
		PRODUCT SPEC -	SIZE A2	
MATERIAL -		APPLICATION SPEC -	CAGE CODE 00779	DRAWING NO C-1546310
FINISH -		WEIGHT -	SCALE NTS	SHEET 4 OF 4
CUSTOMER DRAWING			RESTRICTED TO -	REV T5

1546310

X-ON Electronics

Largest Supplier of Electrical and Electronic Components

Click to view similar products for [Barrier Terminal Blocks](#) category:

Click to view products by [TE Connectivity](#) manufacturer:

Other Similar products are found below :

[CR151D20104](#) [670A-RZ-15-KT20](#) [6C1N03](#) [6PCR-02](#) [6PCR-02-008](#) [6PCR-05-008](#) [6PCR-08-008](#) [6PCR-09-008](#) [6PCR-13-006](#) [6PCR-15-006](#) [6PCR-21-006](#) [6PCV-06-008](#) [6PCV-06-716](#) [6PCV-09-001](#) [6PCV-10-009](#) [6PCV-15-008](#) [6PCV-17-1206](#) [6PCV-20-323](#) [6PCV-30-006](#) [6STR-06-006](#) [6STR-08-006](#) [6STR-12-008](#) [6STR-13-006](#) [6STR-14-008](#) [6STR-16-008](#) [6STR-17-008](#) [6STR-21-008](#) [6STR-25-008](#) [6STR-27-008](#) [6STV-03-006](#) [6STV-03-008](#) [6STV-04-006](#) [6STV-09-006](#) [6STV-10-006](#) [6WWR-03-693](#) [6WWV-12-008](#) [6WWV-16-008](#) [72212603](#) [72504-C-50](#) [72506-C](#) [72507-C-50](#) [73203](#) [75505-C](#) [75505-C-50](#) [75510-C](#) [77010-50](#) [7C1N08](#) [812-GP-3/4ST-09](#) [8-1437402-5](#) [8-1437402-7](#)