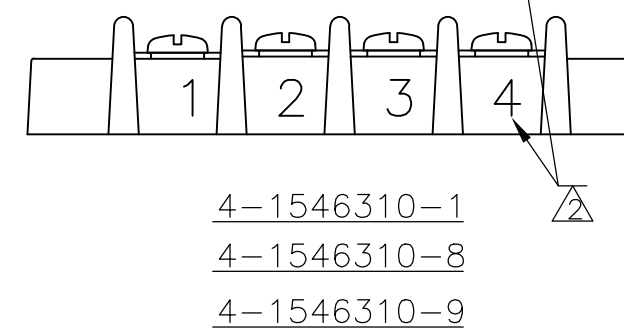
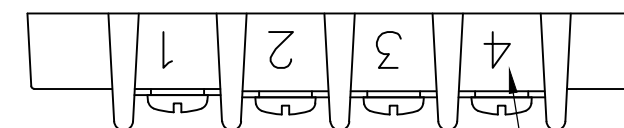
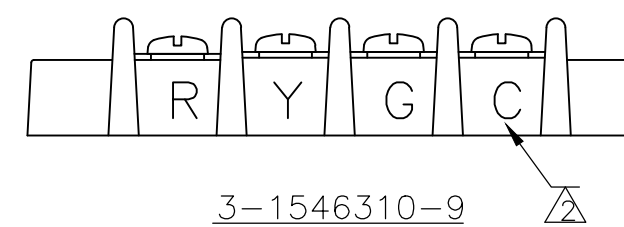
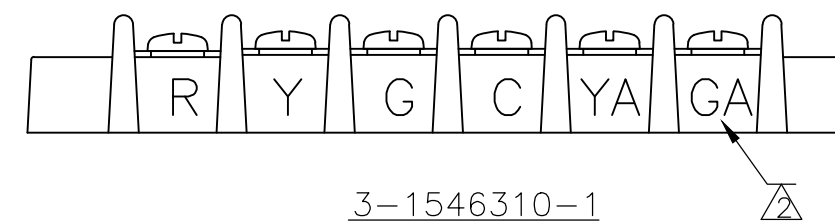
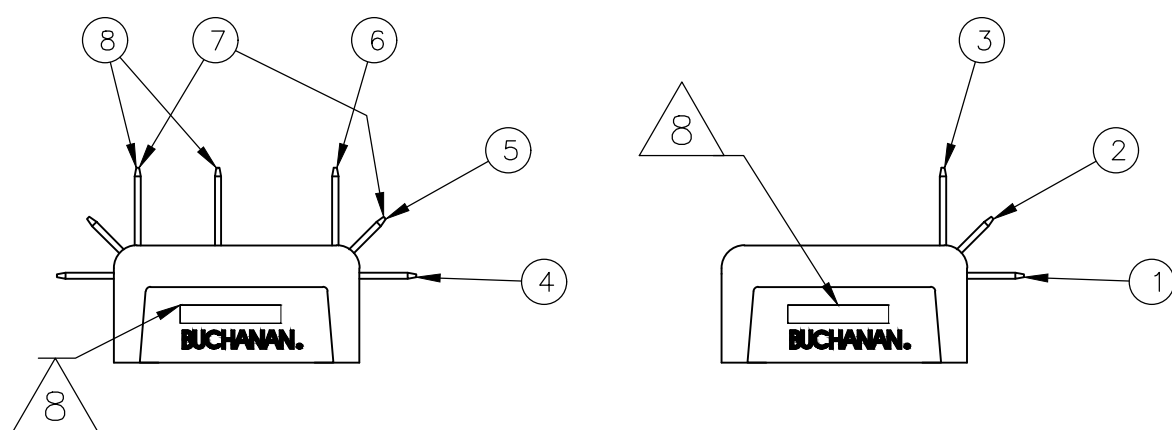
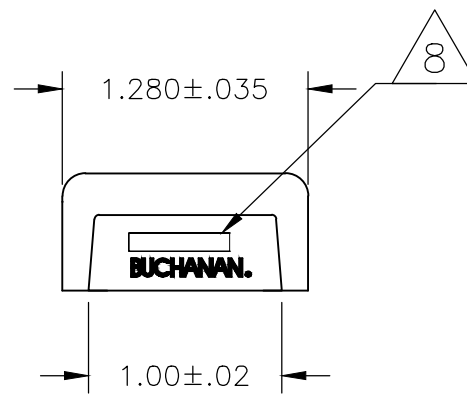
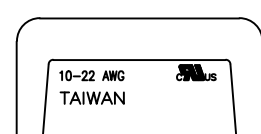
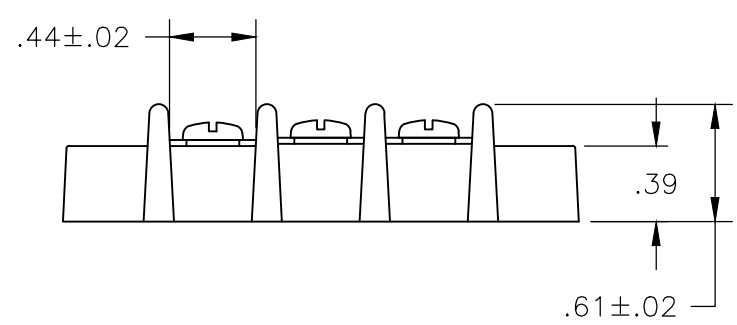
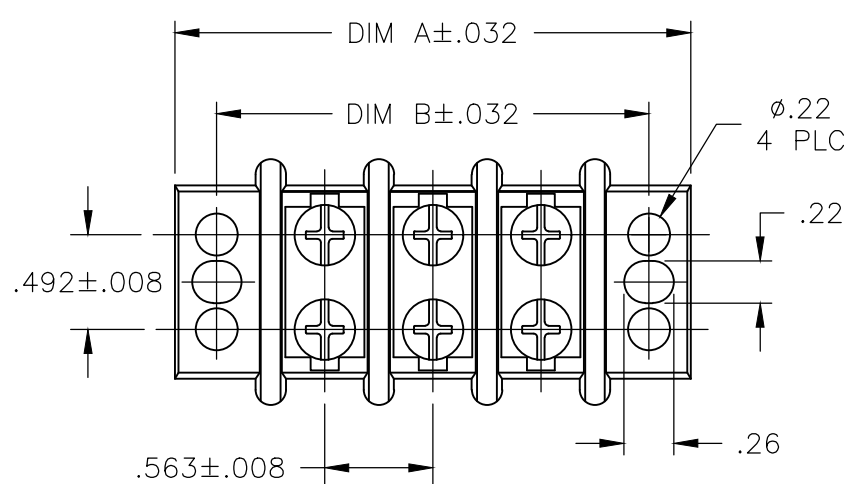




THIS DRAWING IS UNPUBLISHED. RELEASED FOR PUBLICATION  
 © COPYRIGHT - By - ALL RIGHTS RESERVED.

| REVISIONS |     |             |      |      |
|-----------|-----|-------------|------|------|
| P         | LTR | DESCRIPTION | DATE | APVD |
| -         | -   | SEE SHEET 1 | -    | -    |



| REV   | DESCRIPTION | DATE | BY | CHKD | APVD | QTY | POSN | NO. OF POSN | DIM B  | DIM A  | PART NUMBER |
|---|-------------|------|----|------|------|-----|------|-------------|--------|--------|-------------|
| 2   |             |      |    |      |      | 2   |      | 14          | 1.693  | 2.130  | 5-1546310-1 |
|   |             |      |    |      |      |     |      |             | 10.701 | 11.138 | 1-1546310-8 |
|   |             |      |    |      |      |     |      |             | 10.138 | 10.575 | 1-1546310-7 |
|   |             |      |    |      |      |     |      |             | 9.575  | 10.012 | 1-1546310-6 |
|   |             |      |    |      |      |     |      |             | 9.012  | 9.449  | 1-1546310-5 |
| 6   |             |      |    |      |      |     |      | 14          | 8.449  | 8.886  | 4-1546310-9 |
|   |             |      |    |      |      |     |      |             | 8.449  | 8.886  | 1-1546310-4 |
| NOTES: (9) OTB JUMPER (8) .250 QC TAB 90° DOUBLE SIDE (7) .250 QC TAB 90°/45° DOUBLE SIDE (6) .250 QC TAB 90° DOUBLE SIDE (5) .250 QC TAB 45° DOUBLE SIDE (4) .250 QC TAB STRAIGHT DOUBLE SIDE (3) .250 QC TAB 90° SINGLE SIDE (2) .250 QC TAB 45° SINGLE SIDE (1) .250 QC TAB STRAIGHT SINGLE SIDE |             |      |    |      |      |     |      |             |        |        |             |

THIS DRAWING IS A CONTROLLED DOCUMENT.

|                  |            |           |
|------------------|------------|-----------|
| DWN              | S SCHLEGEL | 16FEB2007 |
| CHK              | S YODER    | 2/16/07   |
| APVD             | S YODER    | 2/16/07   |
| PRODUCT SPEC     | -          |           |
| APPLICATION SPEC | -          |           |
| WEIGHT           | -          |           |
| CUSTOMER DRAWING |            |           |

TE Connectivity Ltd.

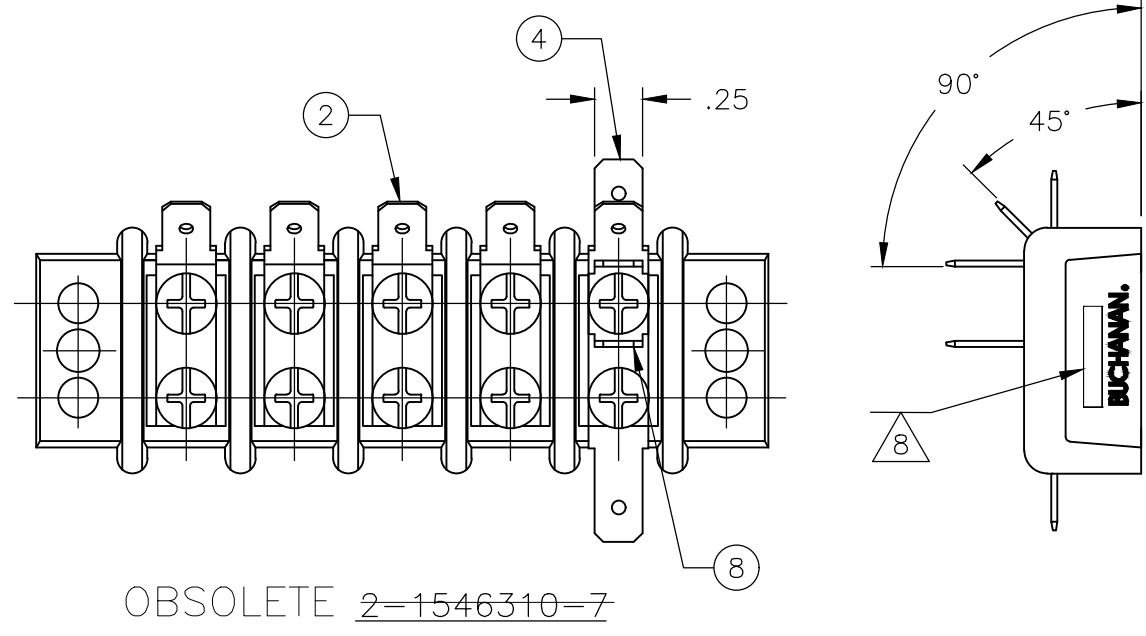
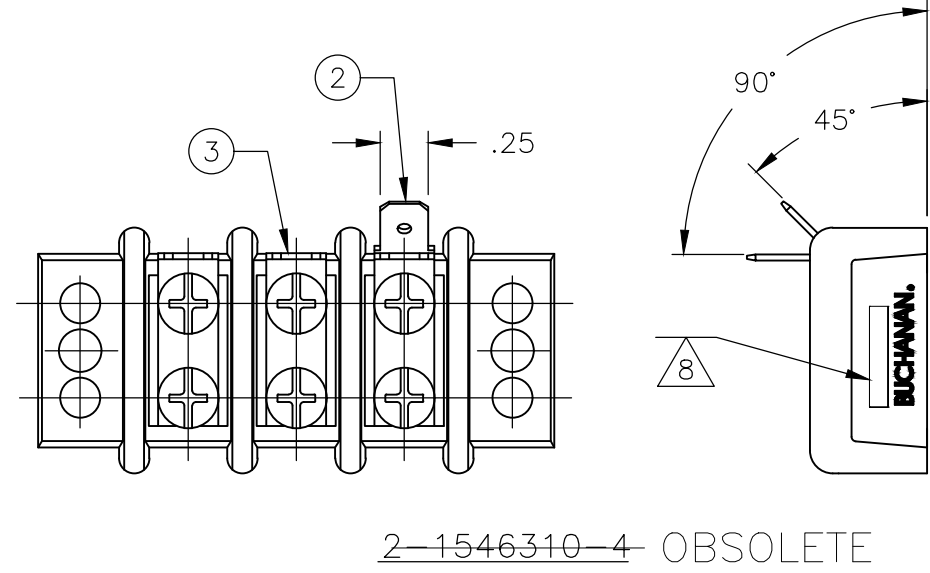
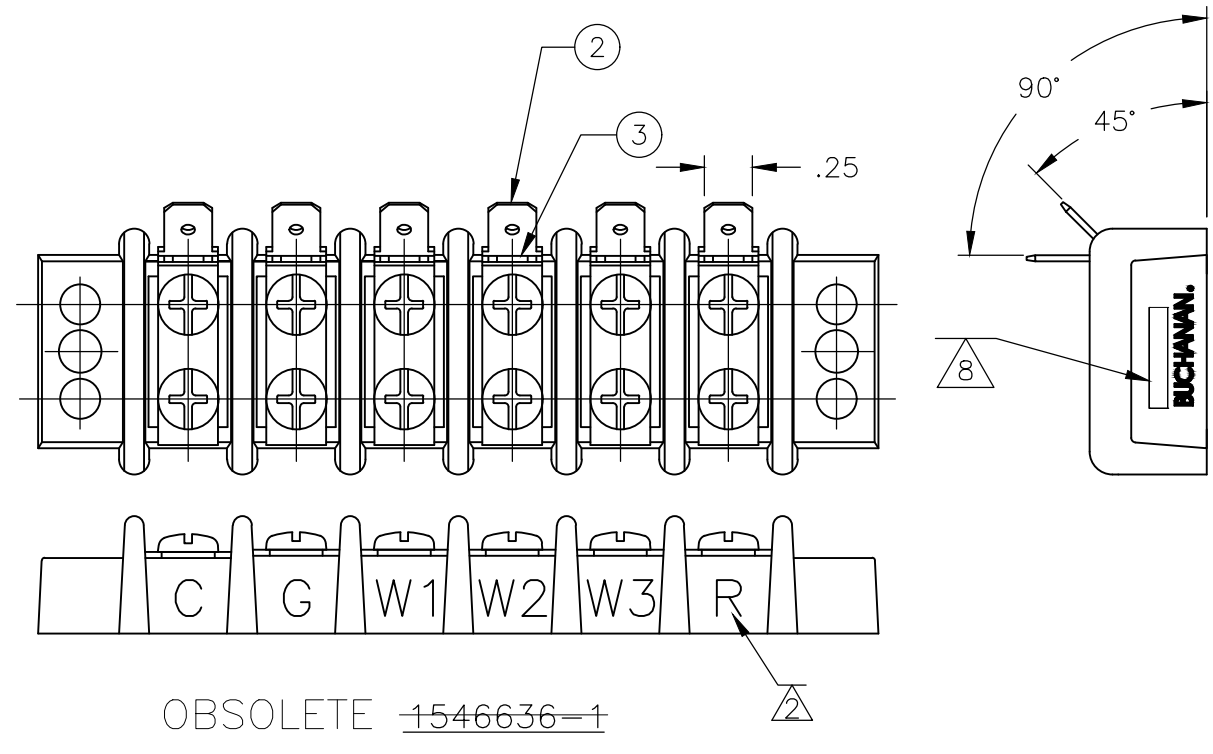
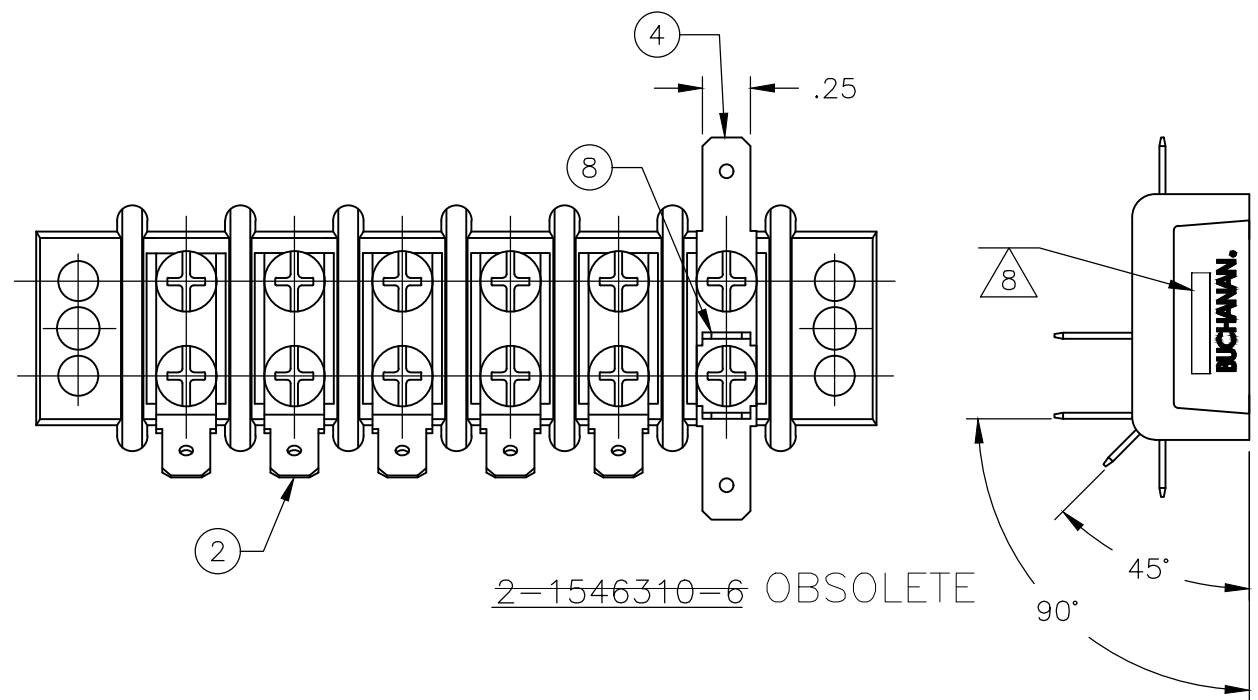
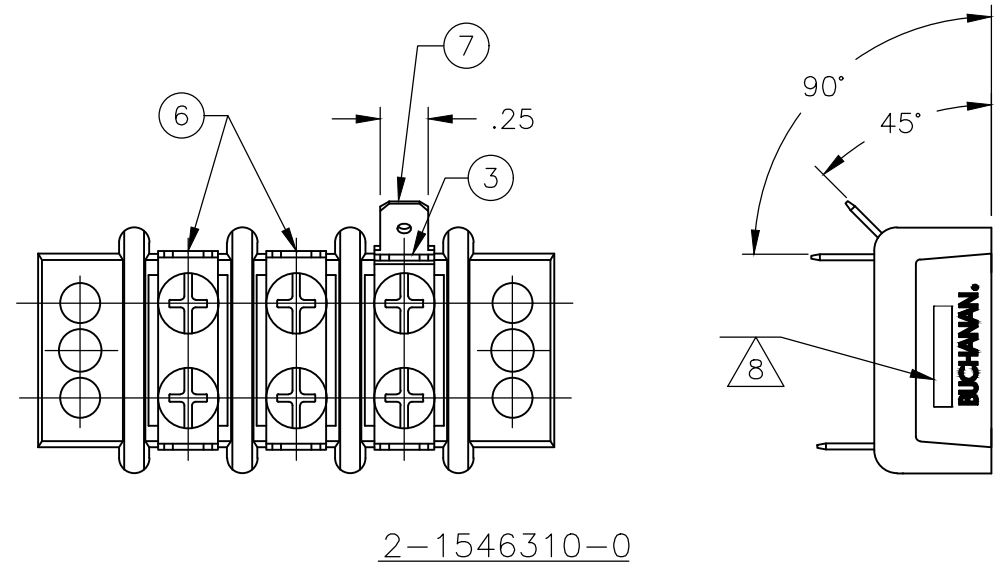
14.3 (.563) DBL ROW BARRIER STRIP W/O WASHER

SCALE: A2 00779 C=1546310


SHEET 2 OF 4 REV T5

THIS DRAWING IS UNPUBLISHED. RELEASED FOR PUBLICATION  
 © COPYRIGHT - By - ALL RIGHTS RESERVED.

| REVISIONS |     |             |      |     |      |
|-----------|-----|-------------|------|-----|------|
| P         | LTR | DESCRIPTION | DATE | DWN | APVD |
| -         | -   | SEE SHEET 1 | -    | -   | -    |

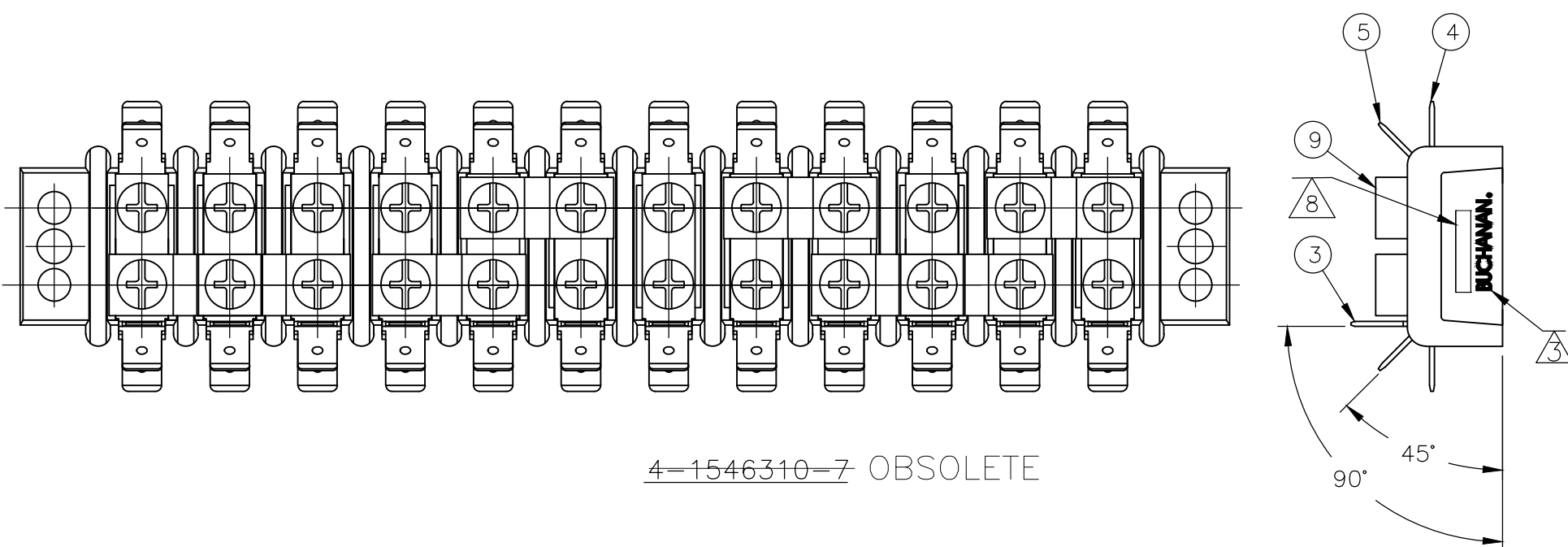


1546310

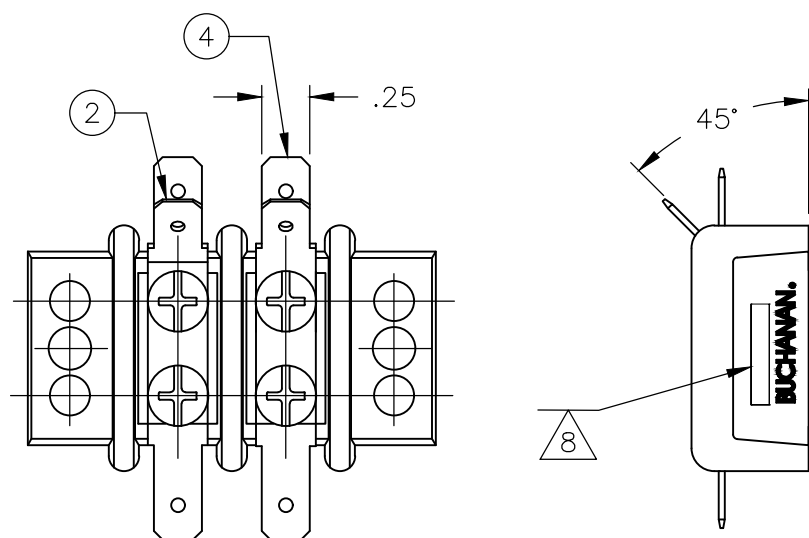
|   |  |                                |  |                         |
|---|--|--------------------------------|--|-------------------------|
| THIS DRAWING IS A CONTROLLED DOCUMENT.                                      |  | DWN<br>S SCHLEGEL<br>16FEB2007 |  TE Connectivity Ltd. |                         |
| DIMENSIONS:<br>INCHES   |  | CHK<br>S YODER<br>2/16/07      |  |                         |
| TOLERANCES UNLESS OTHERWISE SPECIFIED:                                      |  | APVD<br>S YODER<br>2/16/07     | NAME<br>14.3 (.563) DBL ROW BARRIER STRIP<br>W/O WASHER  |                         |
| 0 PLC ± -<br>1 PLC ± -<br>2 PLC ± -<br>3 PLC ± -<br>4 PLC ± -<br>ANGLES ± - |  | PRODUCT SPEC                   | SIZE<br>A2   |                         |
| MATERIAL  |  | APPLICATION SPEC               | CAGE CODE<br>00779   | DRAWING NO<br>C=1546310 |
| FINISH  |  | WEIGHT                         | RESTRICTED TO  |                         |
|   |  | CUSTOMER DRAWING               | SCALE<br>NTS   | SHEET<br>3 OF 4         |
|   |  |                                | REV<br>T5  |                         |

THIS DRAWING IS UNPUBLISHED. RELEASED FOR PUBLICATION  
 © COPYRIGHT - By - ALL RIGHTS RESERVED.

| REVISIONS |     |             |      |      |
|-----------|-----|-------------|------|------|
| P         | LTR | DESCRIPTION | DATE | APVD |
| -         | -   | SEE SHEET 1 | -    | -    |



4-1546310-7 OBSOLETE



5-1546310-1

|  |             |                                |   |                    |       |   |   |       |   |   |       |   |   |       |   |   |        |   |   |                   |                       |                    |
|--|-------------|--------------------------------|---|--------------------|-------|---|---|-------|---|---|-------|---|---|-------|---|---|--------|---|---|-------------------|-----------------------|--------------------|
| THIS DRAWING IS A CONTROLLED DOCUMENT.   |             | DWN<br>S SCHLEGEL<br>16FEB2007 | TE Connectivity Ltd.                                    |                    |       |   |   |       |   |   |       |   |   |       |   |   |        |   |   |                   |                       |                    |
| DIMENSIONS:<br>INCHES  |             | CHK<br>S YODER<br>2/16/07      |   |                    |       |   |   |       |   |   |       |   |   |       |   |   |        |   |   |                   |                       |                    |
| TOLERANCES UNLESS OTHERWISE SPECIFIED:   |             | APVD<br>S YODER<br>2/16/07     | NAME<br>14.3 (.563) DBL ROW BARRIER STRIP<br>W/O WASHER |                    |       |   |   |       |   |   |       |   |   |       |   |   |        |   |   |                   |                       |                    |
| <table border="0"> <tr><td>0 PLC</td><td>±</td><td>-</td></tr> <tr><td>1 PLC</td><td>±</td><td>-</td></tr> <tr><td>2 PLC</td><td>±</td><td>-</td></tr> <tr><td>3 PLC</td><td>±</td><td>-</td></tr> <tr><td>4 PLC</td><td>±</td><td>-</td></tr> <tr><td>ANGLES</td><td>±</td><td>-</td></tr> </table> |             | 0 PLC                          | ±   | -                  | 1 PLC | ± | - | 2 PLC | ± | - | 3 PLC | ± | - | 4 PLC | ± | - | ANGLES | ± | - | PRODUCT SPEC<br>- | APPLICATION SPEC<br>- | RESTRICTED TO<br>- |
| 0 PLC  | ±           | -                              |   |                    |       |   |   |       |   |   |       |   |   |       |   |   |        |   |   |                   |                       |                    |
| 1 PLC  | ±           | -                              |   |                    |       |   |   |       |   |   |       |   |   |       |   |   |        |   |   |                   |                       |                    |
| 2 PLC  | ±           | -                              |   |                    |       |   |   |       |   |   |       |   |   |       |   |   |        |   |   |                   |                       |                    |
| 3 PLC  | ±           | -                              |   |                    |       |   |   |       |   |   |       |   |   |       |   |   |        |   |   |                   |                       |                    |
| 4 PLC  | ±           | -                              |   |                    |       |   |   |       |   |   |       |   |   |       |   |   |        |   |   |                   |                       |                    |
| ANGLES   | ±           | -                              |   |                    |       |   |   |       |   |   |       |   |   |       |   |   |        |   |   |                   |                       |                    |
| MATERIAL<br>-  | FINISH<br>- | WEIGHT<br>-                    | SIZE<br>A2  | CAGE CODE<br>00779 |       |   |   |       |   |   |       |   |   |       |   |   |        |   |   |                   |                       |                    |
| CUSTOMER DRAWING   |             |                                | SCALE<br>NTS  | SHEET<br>4 OF 4    |       |   |   |       |   |   |       |   |   |       |   |   |        |   |   |                   |                       |                    |
|  |             |                                | DRAWING NO.<br>C=1546310                                | REV<br>T5          |       |   |   |       |   |   |       |   |   |       |   |   |        |   |   |                   |                       |                    |

## X-ON Electronics

Largest Supplier of Electrical and Electronic Components

*Click to view similar products for [Barrier Terminal Blocks](#) category:*

*Click to view products by [TE Connectivity](#) manufacturer:*

Other Similar products are found below :

[CR151D20104](#) [670A-RZ-15-KT20](#) [6C1N03](#) [6PCR-02](#) [6PCR-02-008](#) [6PCR-05-008](#) [6PCR-08-008](#) [6PCR-09-008](#) [6PCR-13-006](#) [6PCR-15-006](#) [6PCR-21-006](#) [6PCV-06-008](#) [6PCV-06-716](#) [6PCV-09-001](#) [6PCV-10-009](#) [6PCV-15-008](#) [6PCV-17-1206](#) [6PCV-20-323](#) [6PCV-20-720](#) [6PCV-30-006](#) [6STR-06-006](#) [6STR-08-006](#) [6STR-12-008](#) [6STR-13-006](#) [6STR-14-008](#) [6STR-16-008](#) [6STR-17-008](#) [6STR-21-008](#) [6STR-25-008](#) [6STR-27-008](#) [6STV-03-006](#) [6STV-03-008](#) [6STV-04-006](#) [6STV-09-006](#) [6STV-10-006](#) [6WWR-03-693](#) [6WWV-12-008](#) [72212603](#) [72504-C-50](#) [72506-C](#) [72507-C-50](#) [73203](#) [75505-C](#) [75505-C-50](#) [75510-C](#) [77010-50](#) [7C1N08](#) [812-GP-3/4ST-09](#) [8-1437402-5](#) [8PCR-06-006](#)