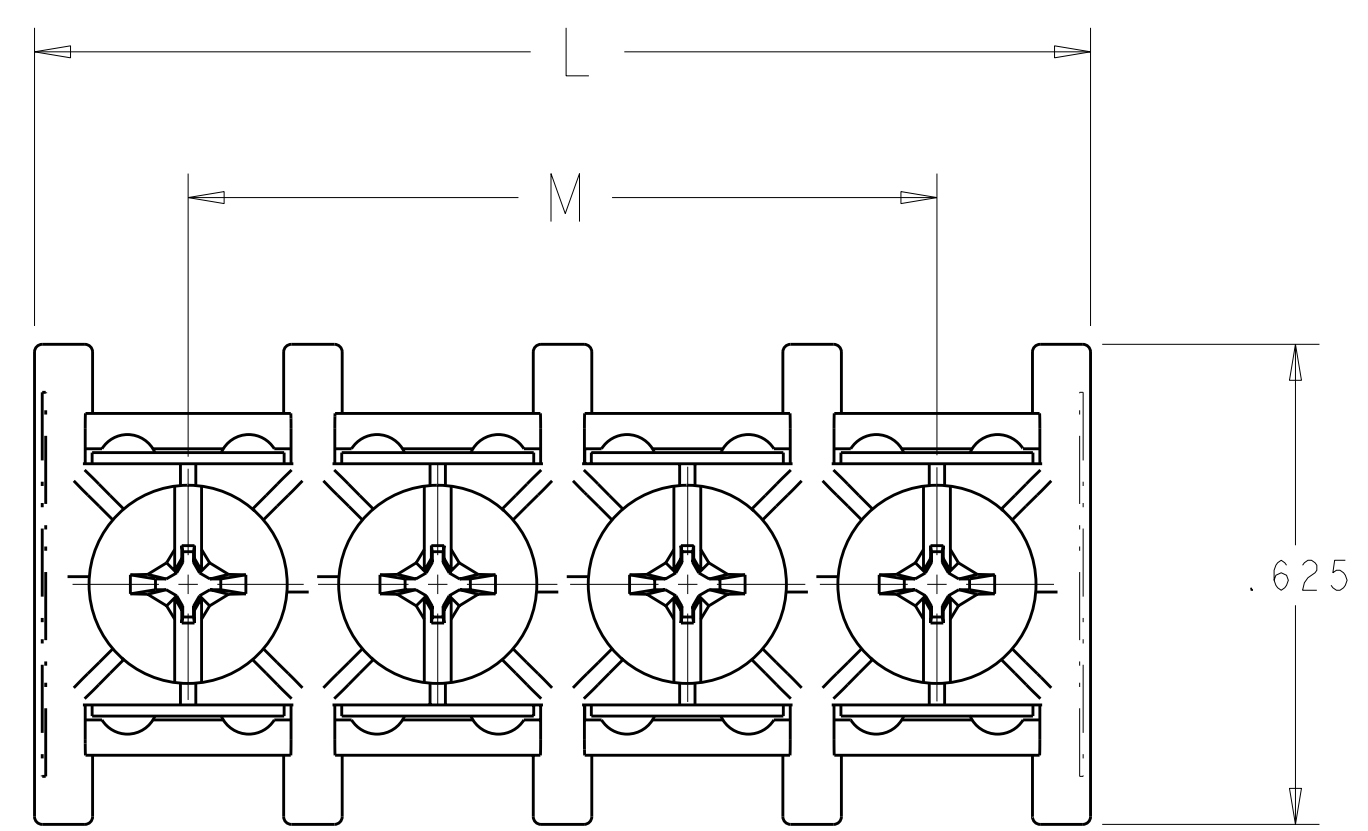
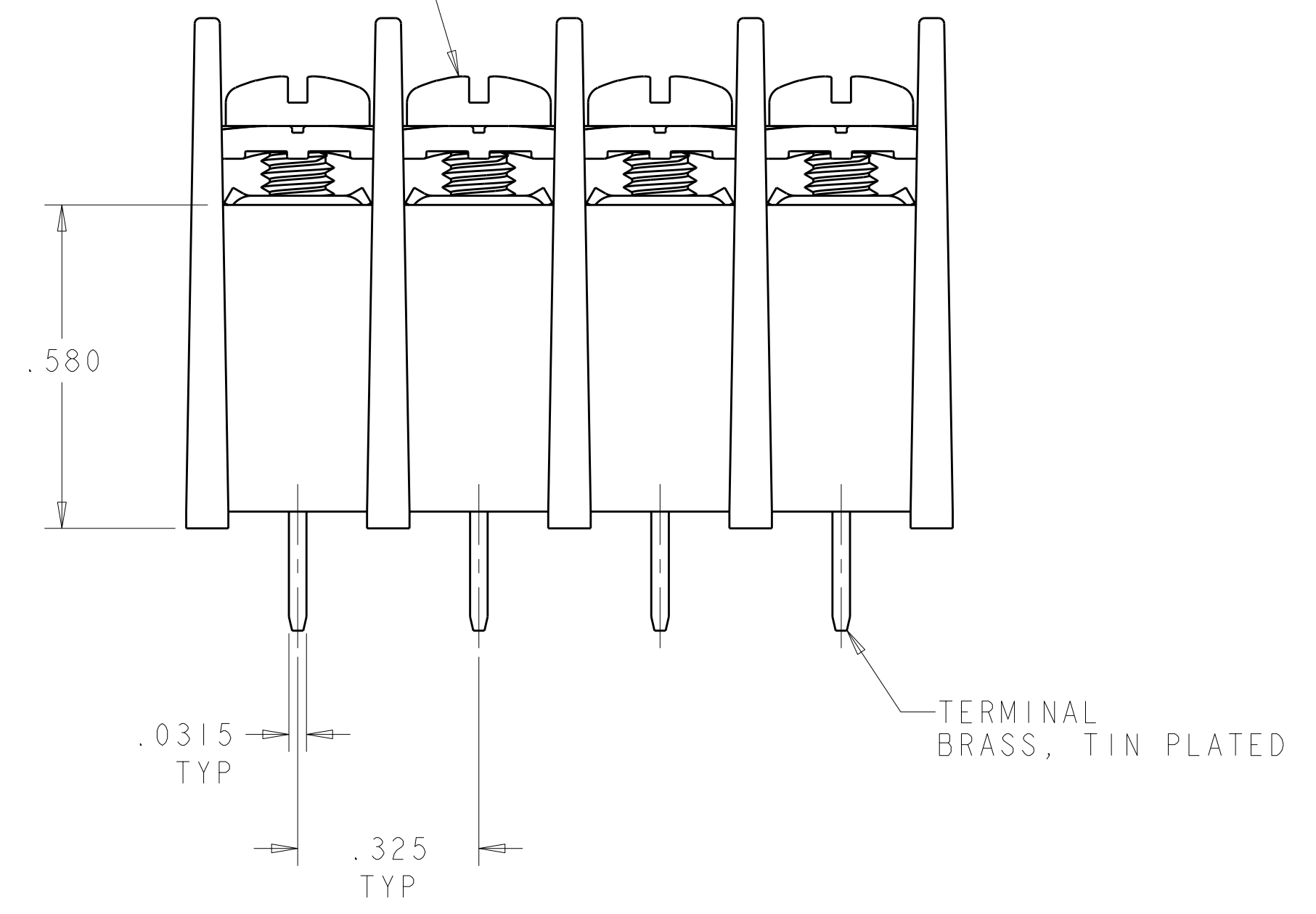


LOC	DIST	REVISIONS					
FT	0	P	LT#	DESCRIPTION	DATE	DWN	APVD
		B1		REVISED PER ECO-10-009455	06MAY2010	HMR	CR

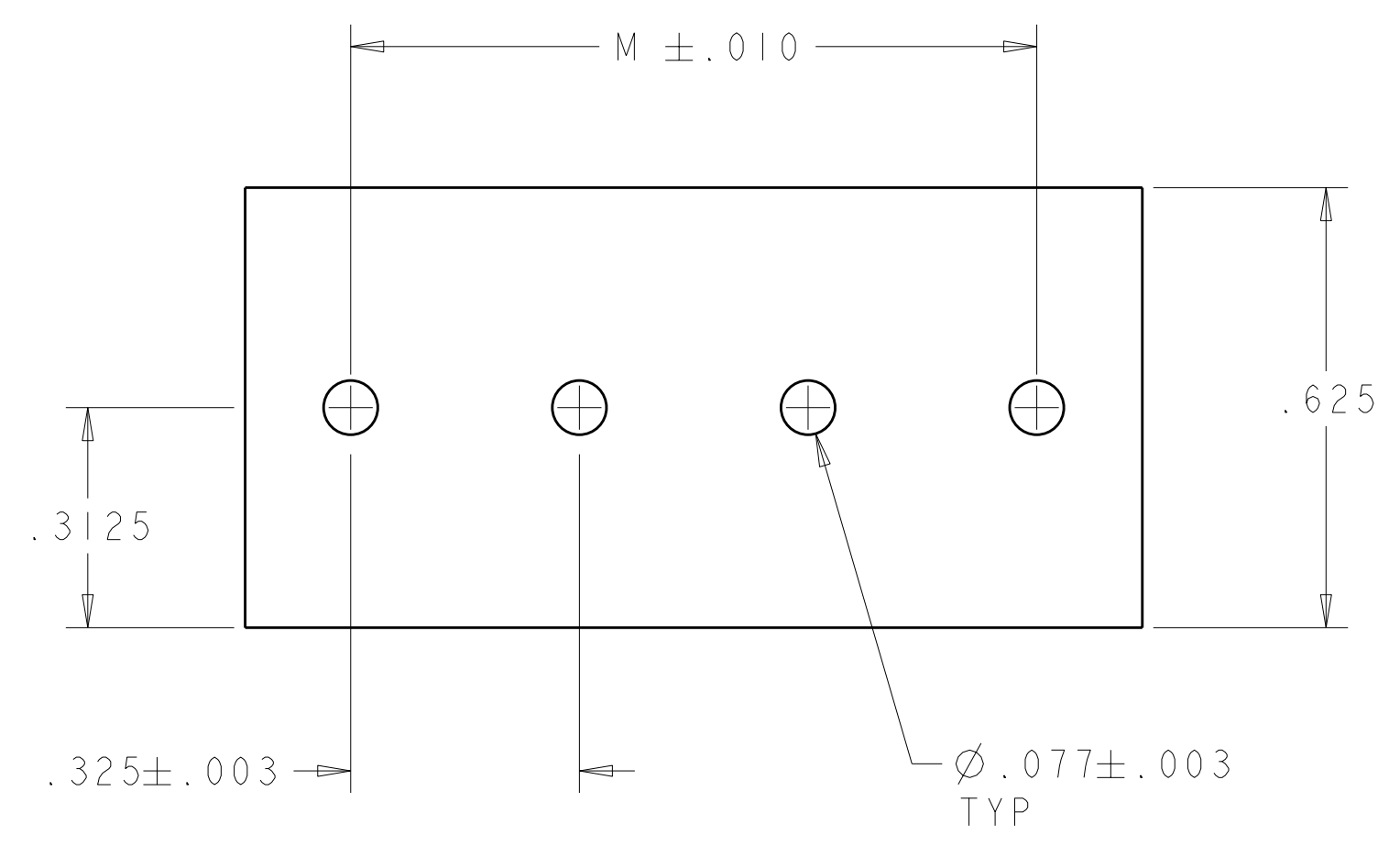
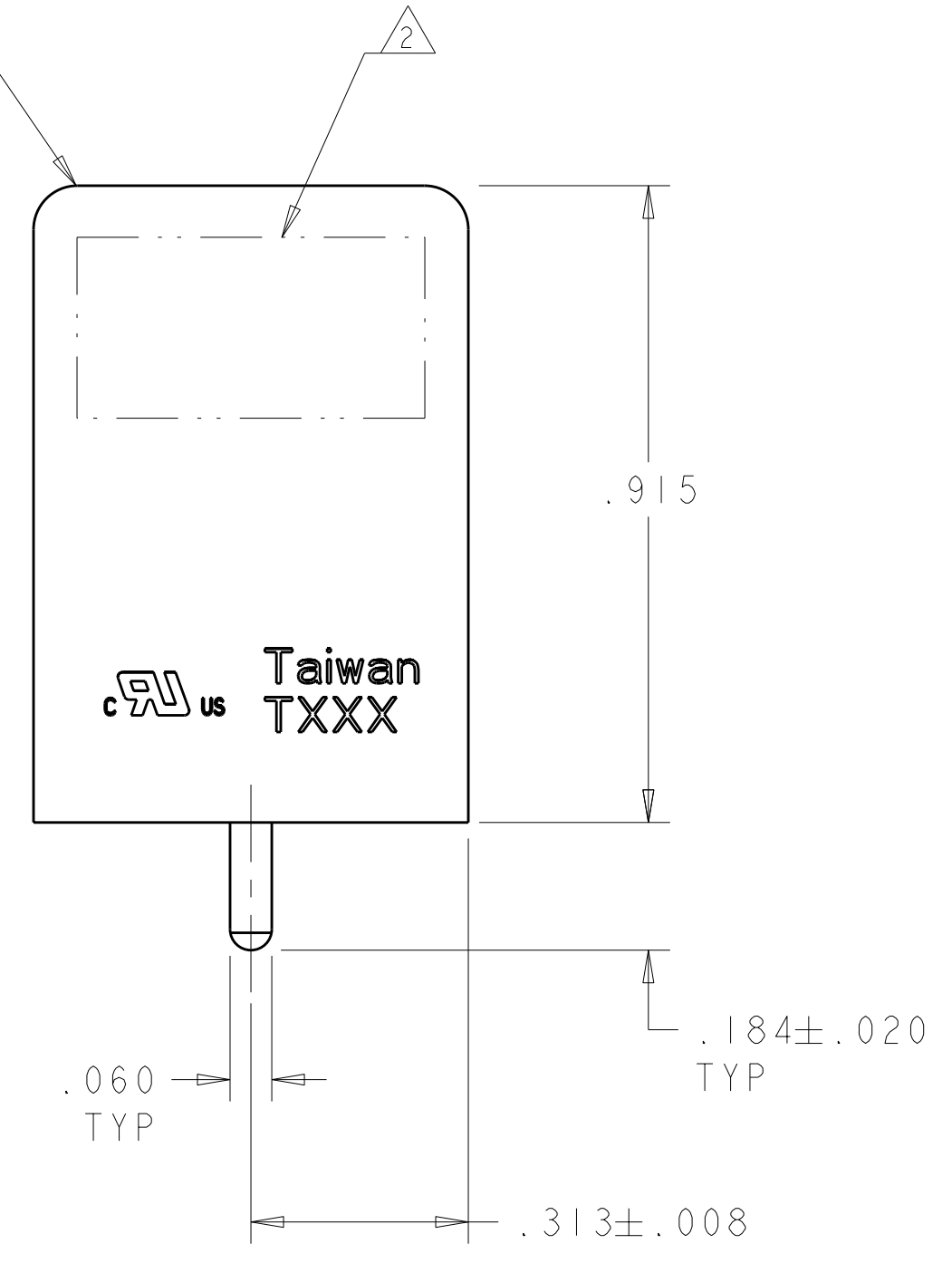


1. ELECTRICAL RATINGS: 300V, 20A  
 WIRE RANGE: 12-22 AWG  
 RECOMMENDED TIGHTENING TORQUE: 10 IN LBS  
 OPERATING TEMPERATURE: 105° MAX  
 ⚠ TYCO ELECTRONICS LOGO LOCATED IN APPROXIMATE AREA SHOWN

6-32 SEMS SCREW, CAPTIVATED,  
 STEEL, ZINC PLATED CLEAR CHROMATE



HOUSING  
 NYLON, BLACK,  
 UL 94 V-0 RATED



RECOMMENDED PC BOARD LAYOUT

4.875	5.275	16	1-1546734-6
4.550	4.950	15	1-1546734-5
4.225	4.625	14	1-1546734-4
3.900	4.300	13	1-1546734-3
3.575	3.975	12	1-1546734-2
3.250	3.650	11	1-1546734-1
2.925	3.325	10	1-1546734-0
2.600	3.000	9	1546734-9
2.275	2.675	8	1546734-8
1.950	2.350	7	1546734-7
1.625	2.025	6	1546734-6
1.300	1.700	5	1546734-5
.975	1.375	4	1546734-4
.650	1.050	3	1546734-3
.325	.725	2	1546734-2
M	L	NO OF POSN	PART NUMBER

DIMENSIONS: INCHES 		TOLERANCES UNLESS OTHERWISE SPECIFIED: 9 PLC ±.1 8 PLC ±0.1 7 PLC ±0.02 6 PLC ±0.005 5 PLC ±0.005 4 PLC ±0.005 ANGLES ±.1		DWN S. WELDON 11SEP2003 CHK S. YODER 11SEP2003 APVD S. YODER 11SEP2003		Tyco Electronics Harrisburg, PA 17105-3608	
MATERIAL: - FINISH: -		WEIGHT: -		NAME: DUAL BARRIER STRIP ASSEMBLY, .325 PITCH, PCB MOUNT, HIGH RISE		SIZE: A1 CAGE CODE: 00779 DRAWING NO: C=1546734	
CUSTOMER DRAWING				SCALE: 4:1		SHEET 1 OF 1	

## X-ON Electronics

Largest Supplier of Electrical and Electronic Components

*Click to view similar products for [Barrier Terminal Blocks](#) category:*

*Click to view products by [TE Connectivity](#) manufacturer:*

Other Similar products are found below :

[CR151D20104](#) [670A-RZ-15-KT20](#) [6C1N03](#) [6PCR-02](#) [6PCR-02-008](#) [6PCR-05-008](#) [6PCR-08-008](#) [6PCR-09-008](#) [6PCR-13-006](#) [6PCR-15-006](#) [6PCR-21-006](#) [6PCV-06-008](#) [6PCV-06-716](#) [6PCV-09-001](#) [6PCV-10-009](#) [6PCV-15-008](#) [6PCV-17-1206](#) [6PCV-20-323](#) [6PCV-20-720](#) [6PCV-30-006](#) [6STR-06-006](#) [6STR-08-006](#) [6STR-12-008](#) [6STR-13-006](#) [6STR-14-008](#) [6STR-16-008](#) [6STR-17-008](#) [6STR-21-008](#) [6STR-25-008](#) [6STR-27-008](#) [6STV-03-006](#) [6STV-03-008](#) [6STV-04-006](#) [6STV-09-006](#) [6STV-10-006](#) [6WWR-03-693](#) [6WWV-12-008](#) [72212603](#) [72504-C-50](#) [72506-C](#) [72507-C-50](#) [73203](#) [75505-C](#) [75505-C-50](#) [75510-C](#) [77010-50](#) [7C1N08](#) [812-GP-3/4ST-09](#) [8-1437402-5](#) [8PCR-06-006](#)