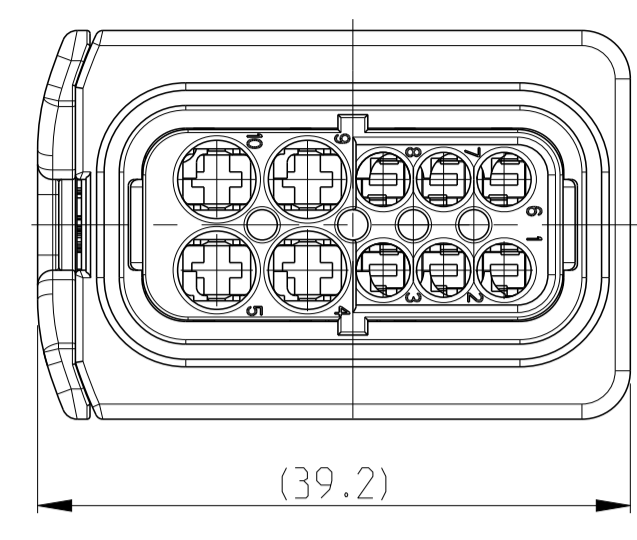
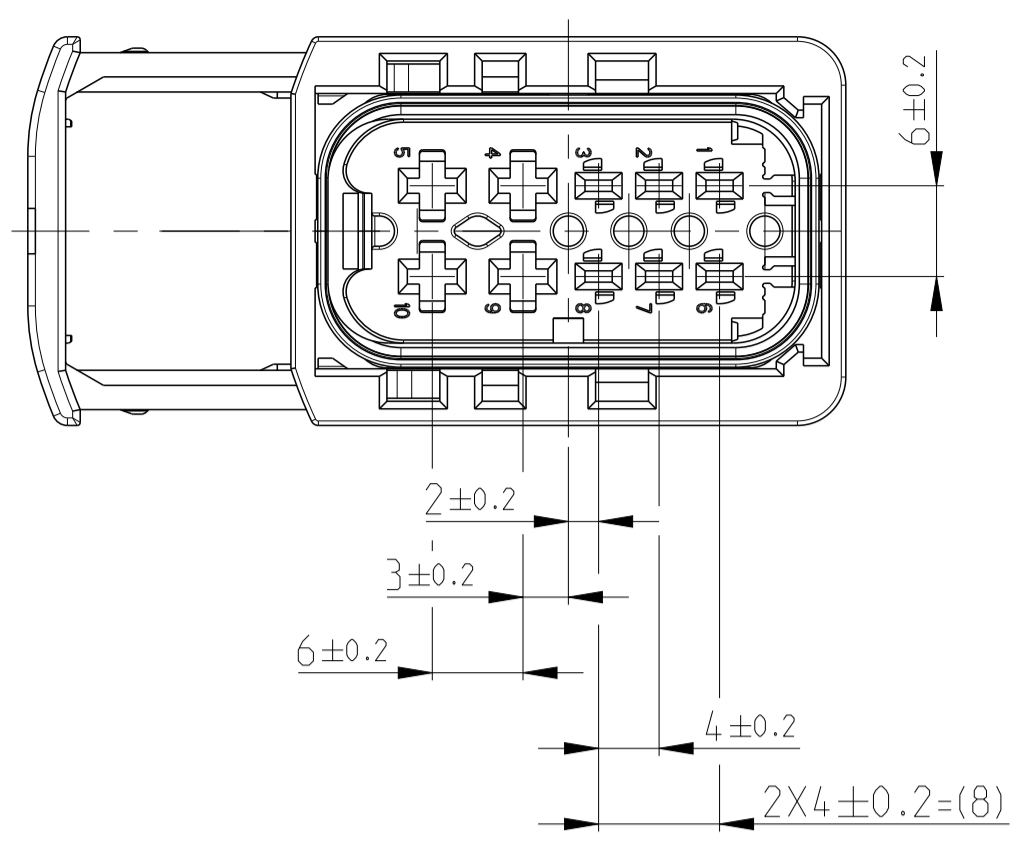


SLIDE IN LOCKED POSITION
Schieber in Verriegelungsposition



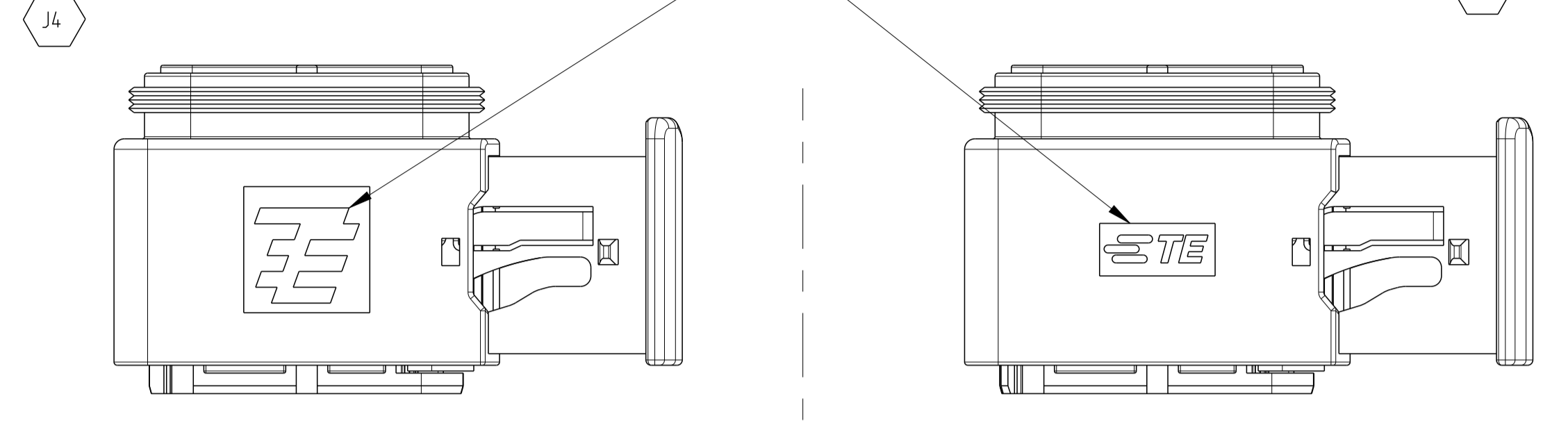
DELIVERY CONDITION:
Lieferzustand:

SECONDARY LOCKING AND SLIDE
IN PRE-LOCKED POSITION
2. Kontaktsicherung und Schieber
in Vorraststellung



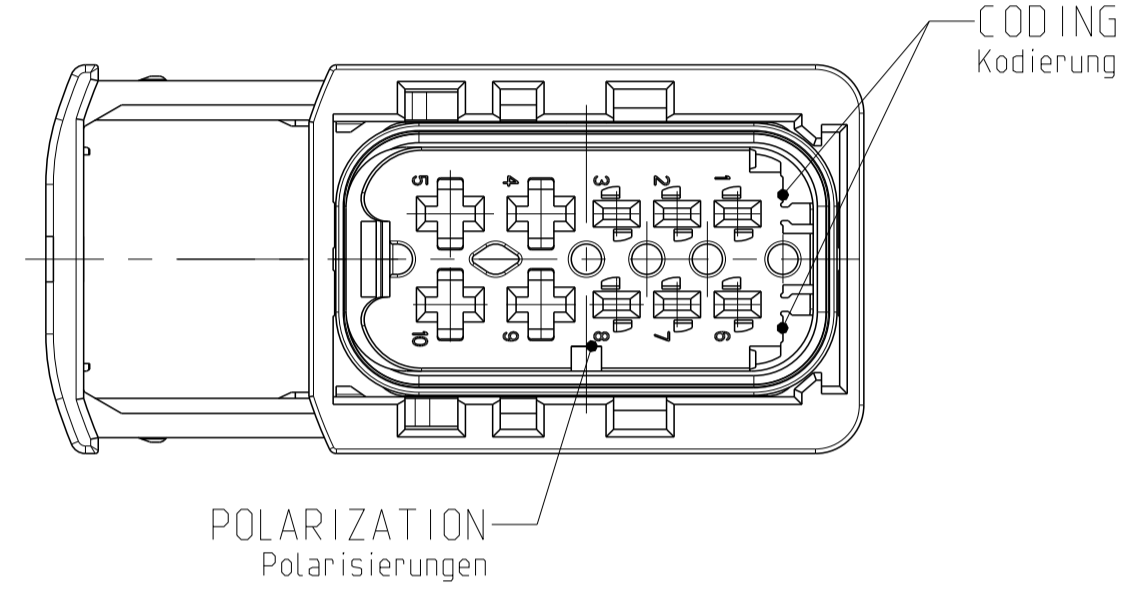
1-1564514-1 AS SHOWN
1-1564514-1 wie gezeigt

TE LOGO RELATED TO MOLDING TOOL
TE LOGO abhängig vom Spritzgusswerkzeug

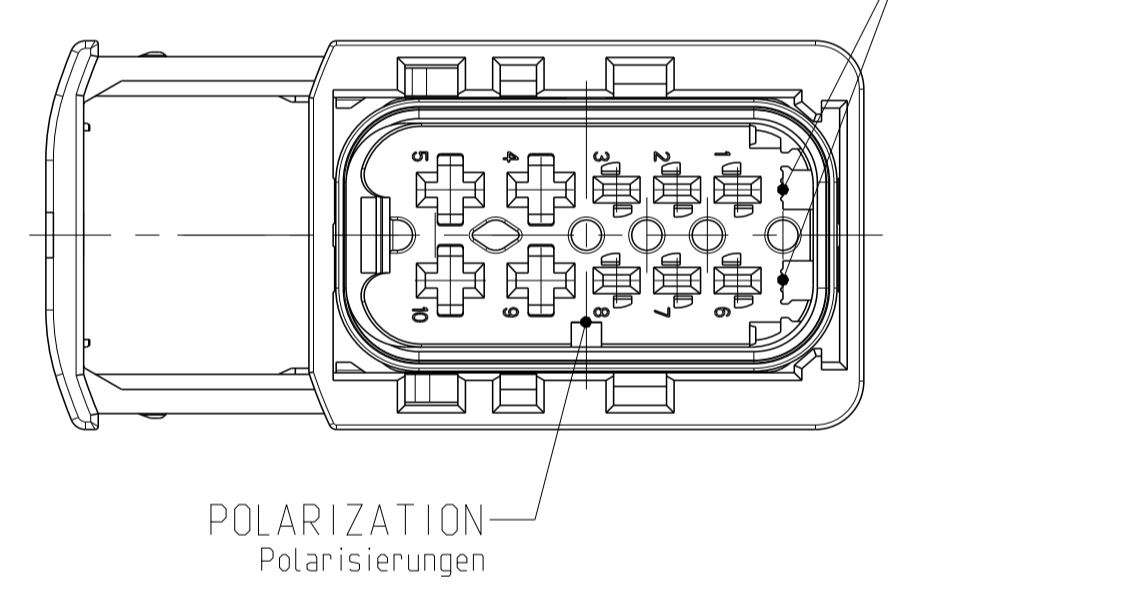


LOC	DIST	REV	DATE	BY	APPV
A1	-	J1	15MAY2015	SK	Krauss
		J2	10DEC2015	HO.	KRAU
		J3	28APR2016	MAH.	GIIC
		J4	17APR2018	HO.	GIIC

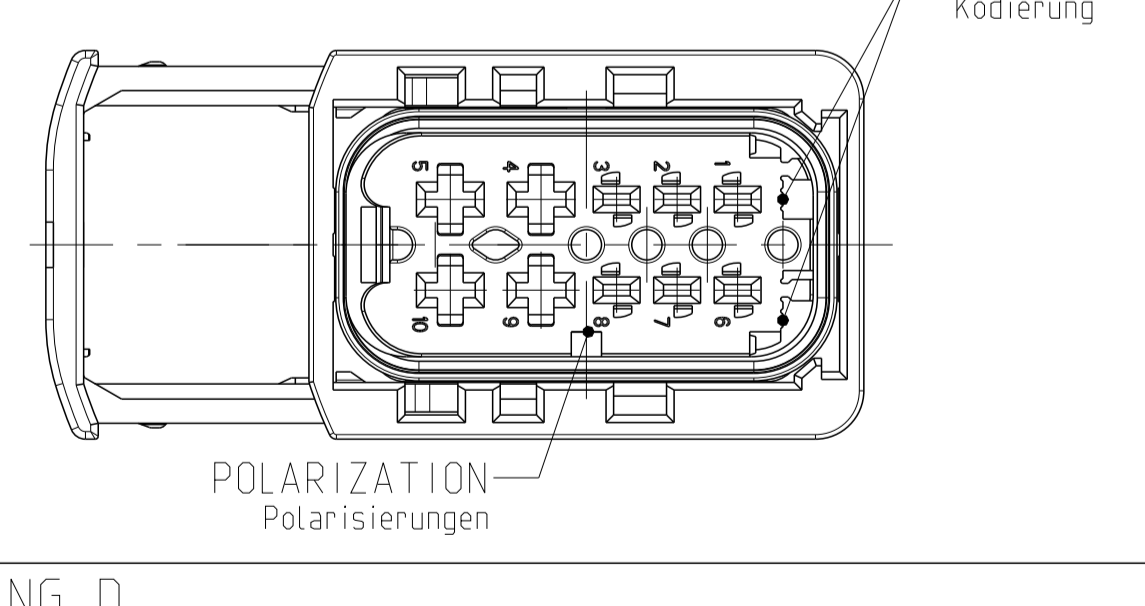
CODING A
Kodierung
PN 1-1564514-1



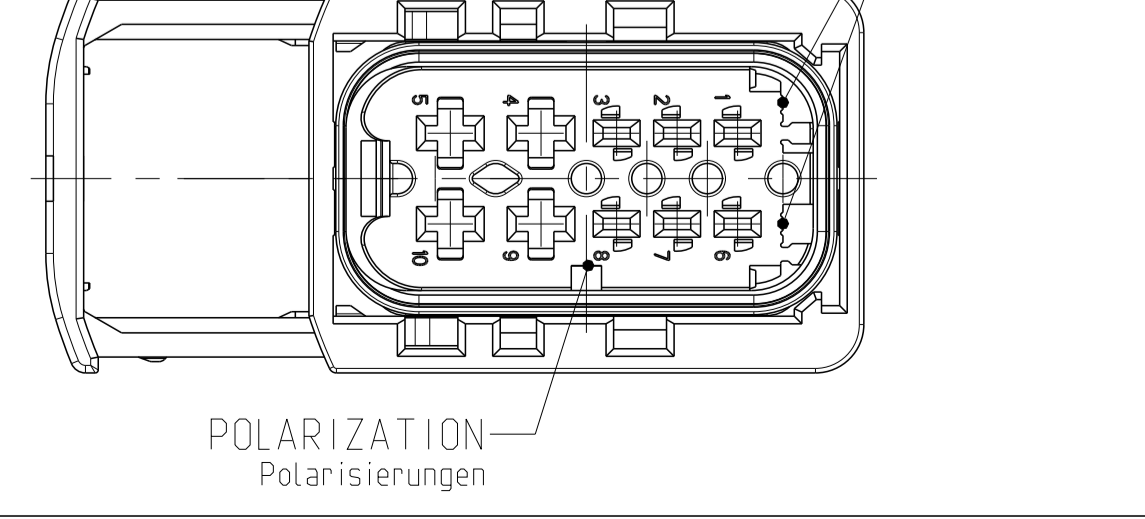
CODING B
Kodierung
PN 2-1564514-1



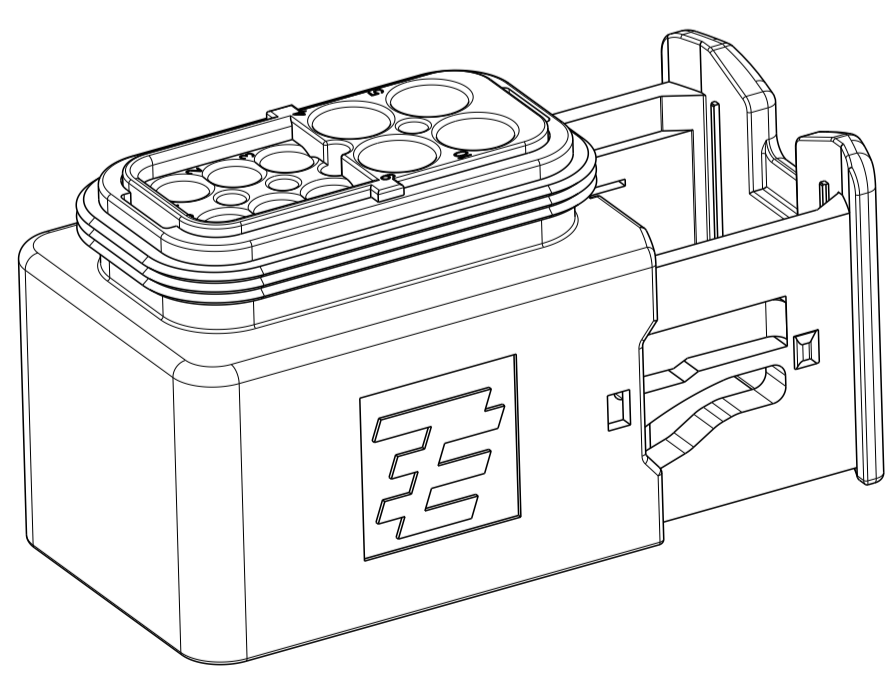
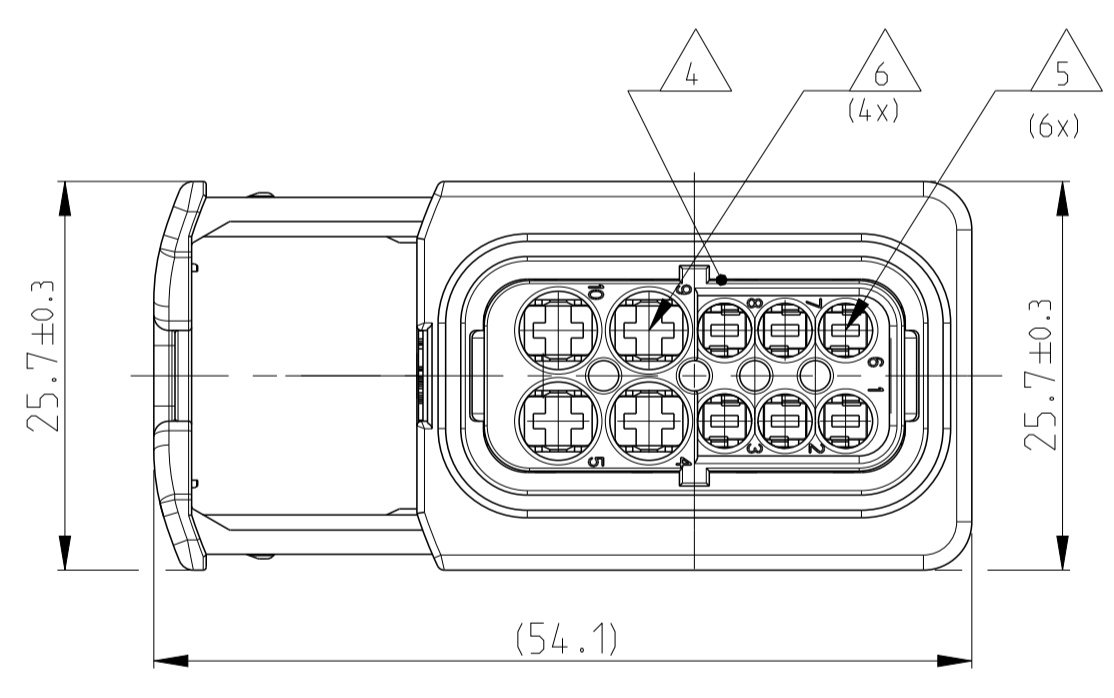
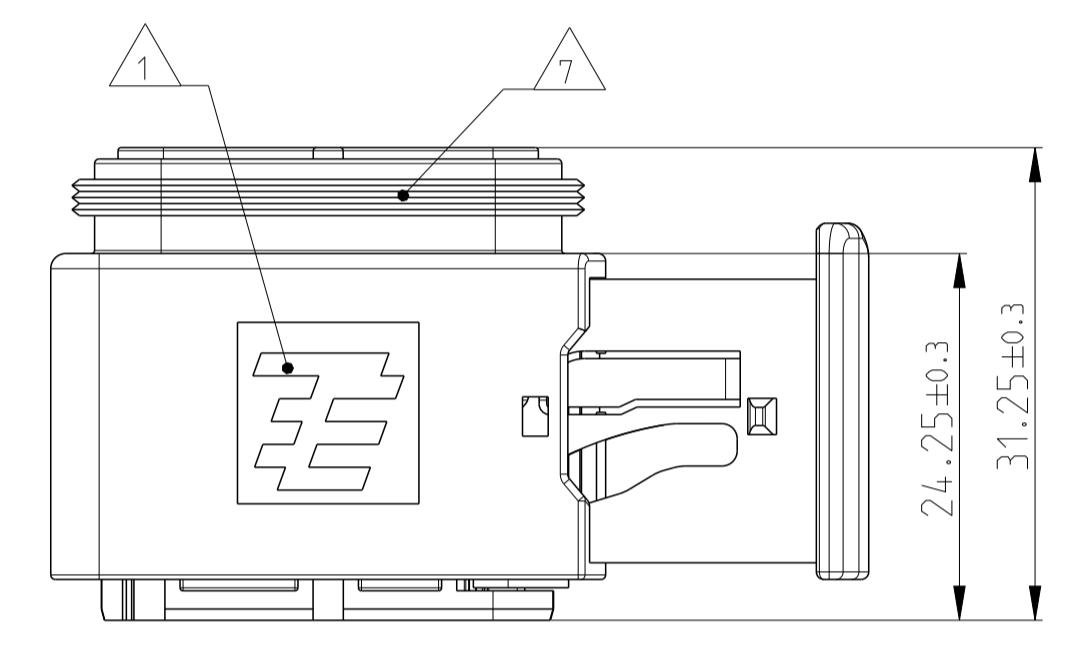
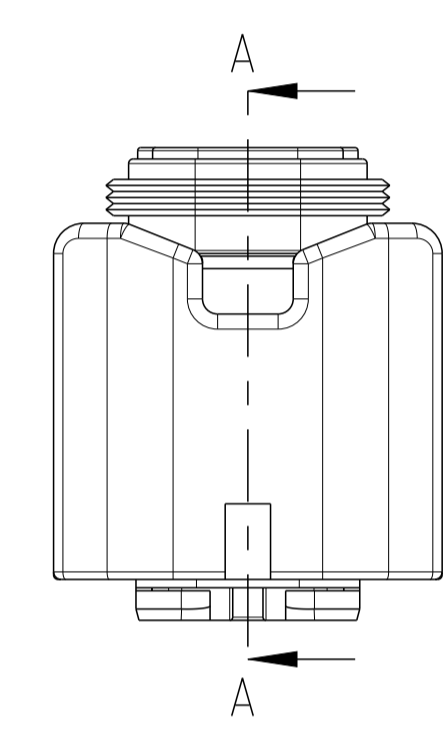
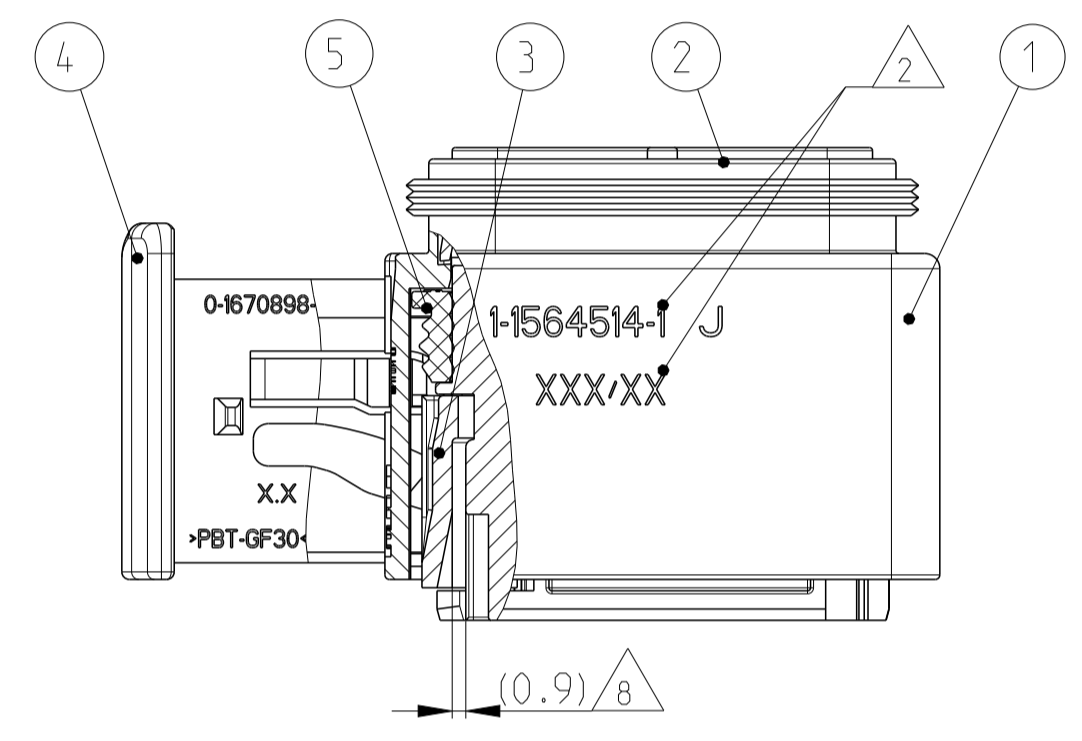
CODING C
Kodierung
PN 3-1564514-1



CODING D
Kodierung
PN 4-1564514-1



SECTION A-A
Schnitt



ITEM NO	DESCRIPTION	COLOUR	MATERIAL
1	RECEPTACLE HOUSING Buchsengehäuse	BLACK schwarz	PBT-GF30 / V-0
2	2 POS. CAVITY BLOCK, CODE: "A" 10pos. Kavitätsblock, Kodierung: "A"	BLACK schwarz	PBT-GF30 / V-0
2	2 POS. CAVITY BLOCK, CODE: "B" 10pos. Kavitätsblock, Kodierung: "B"	GREY grau	PBT-GF30 / V-0
2	2 POS. CAVITY BLOCK, CODE: "C" 10pos. Kavitätsblock, Kodierung: "C"	GREEN grün	PBT-GF30 / V-0
2	2 POS. CAVITY BLOCK, CODE: "D" 10pos. Kavitätsblock, Kodierung: "D"	BLUE blau	PBT-GF30 / V-0
3	SLIDE WITH CONTACTS (Schieber mit Kontaktsicherung)	YELLOW gelb	PBT-GF30 / V-0
4	U-SLIDE U-Schieber	YELLOW gelb	PBT-GF30 / V-0
5	SEAL Dichtung	WHITE weiss	MVO

TE ORDER-NO. TE Bestell-Nr.	REV.	NO. OF POS. Polzahl	CODE Kodierung	COLOR OF CAVITY BLOCK Farbe des Kavitätsblocks	QUANTITY Stueck	ITEM NO ASSY
4-1564514-1	J	10	D	BLUE blau	1	4
3-1564514-1	J	10	C	GREEN grün	1	3
2-1564514-1	J	10	B	GREY grau	1	2
1-1564514-1	J	10	A	BLACK schwarz	1	1

THIS DRAWING IS A CONTROLLED DOCUMENT. DIMENSIONS: MASSENHEITEN: mm. TOLERANCES: UNLESS OTHERWISE SPECIFIED: ACC. TO DIN ISO 2768-MS.

OWN: L. Pralman, 05SEP2008
CHK: F. Eltrop, 08SEP2008
APPV: F. Eltrop, 08FEB2009

NAME: 10POS. AMP MCP 2.8/1.5K, REC HSG, ASSY
PRODUCT SPEC: 108-94.020
APPLICATION SPEC: 114-18756

WEIGHT: 24.1 g
CUSTOMER DRAWING: /KUNDENZEICHNUNG

SCALE: MASSSTAB 2:1
SHEET: 1 OF 1
REV: J4

RESTRICTED TO: NUR FÜR

X-ON Electronics

Largest Supplier of Electrical and Electronic Components

Click to view similar products for [Automotive Connectors](#) category:

Click to view products by [TE Connectivity](#) manufacturer:

Other Similar products are found below :

[003-018-000](#) [60403001](#) [60993906-B](#) [M902-2131](#) [M902-2161](#) [M902-2344](#) [72.330.1035.1](#) [73.353.4028.0](#) [F119300-B](#) [F166900](#) [F258300-B](#)
[F358300-B](#) [F407400](#) [F444110](#) [F487000](#) [F509500B-B](#) [827153-1](#) [8N1515-32-24P](#) [9-1326729-8](#) [925474-1](#) [928905-1](#) [964562-4](#) [968782-1](#)
[GT17SA-8DS-HU](#) [98891-1012](#) [98947-1016](#) [12004147](#) [12004475-L](#) [12010290](#) [12010309-B](#) [12015454](#) [12020219-B](#) [12041318-B](#) [12052225-](#)
[L](#) [12052466](#) [12064869](#) [12004327-B](#) [12015308](#) [12015384](#) [12015909](#) [1-21030-1](#) [12041254](#) [12041318](#) [12047946-B](#) [12047957](#) [12047957-L](#)
[12059473](#) [12066261](#) [12110546](#) [12110546-B](#)