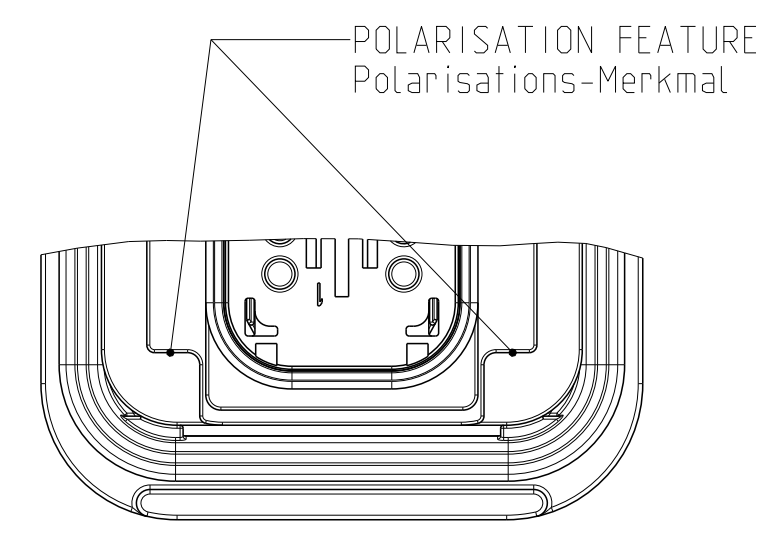
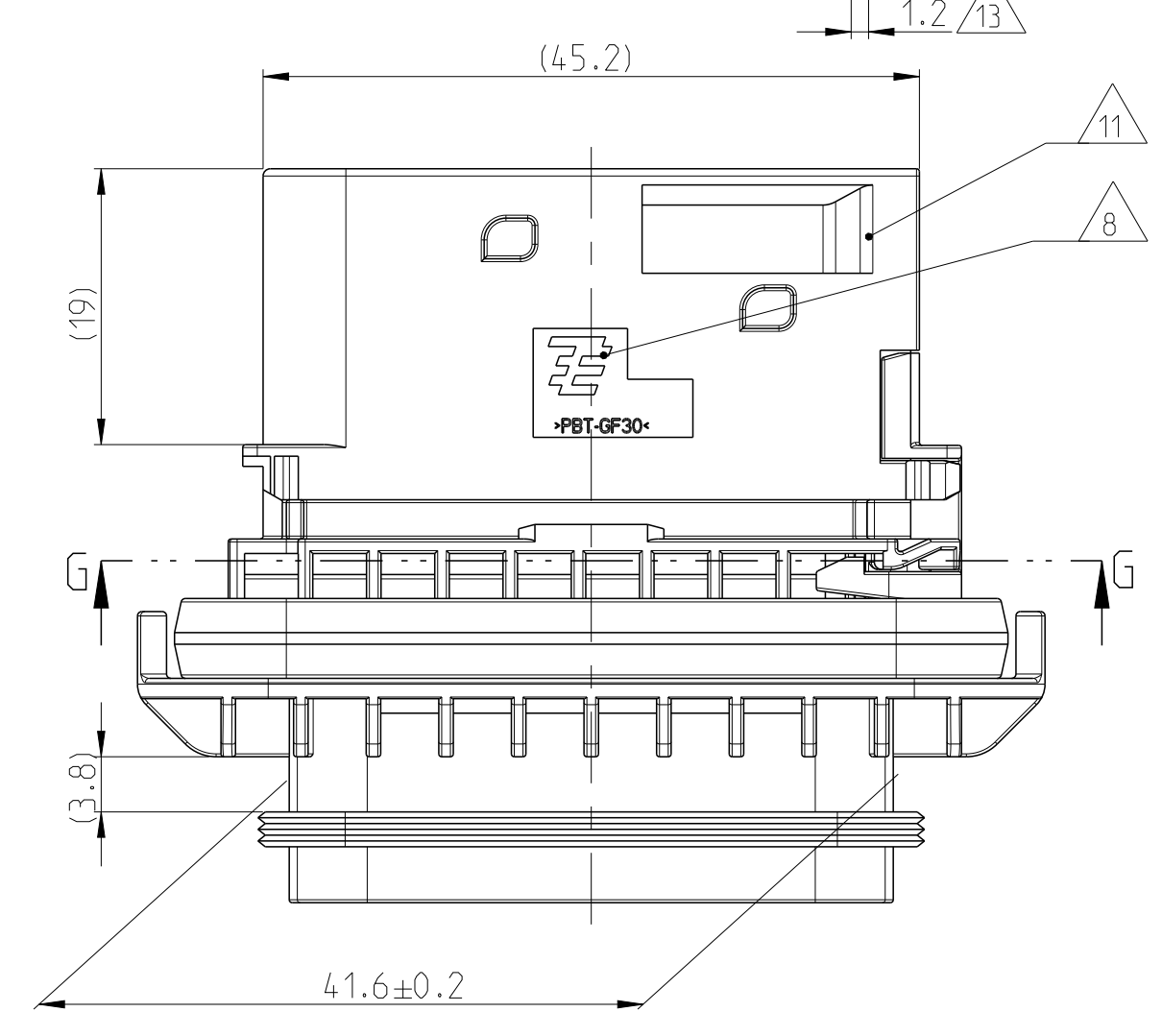
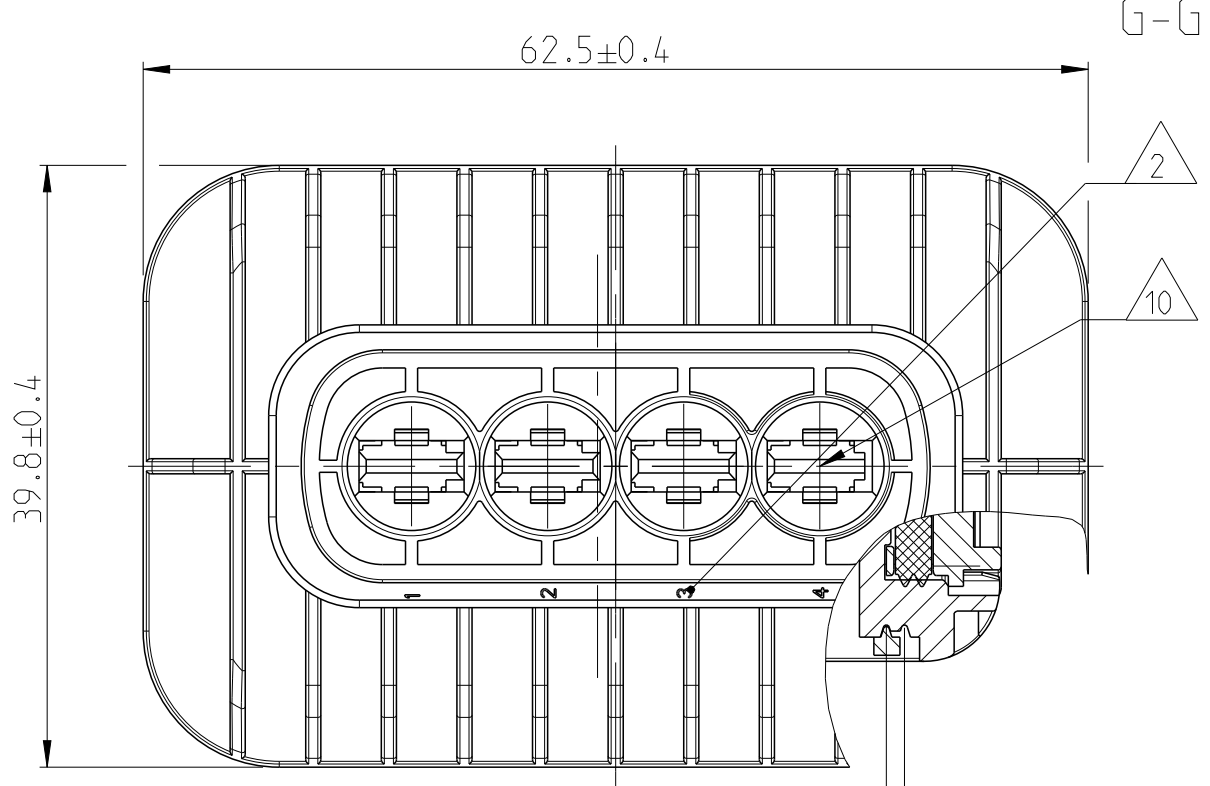
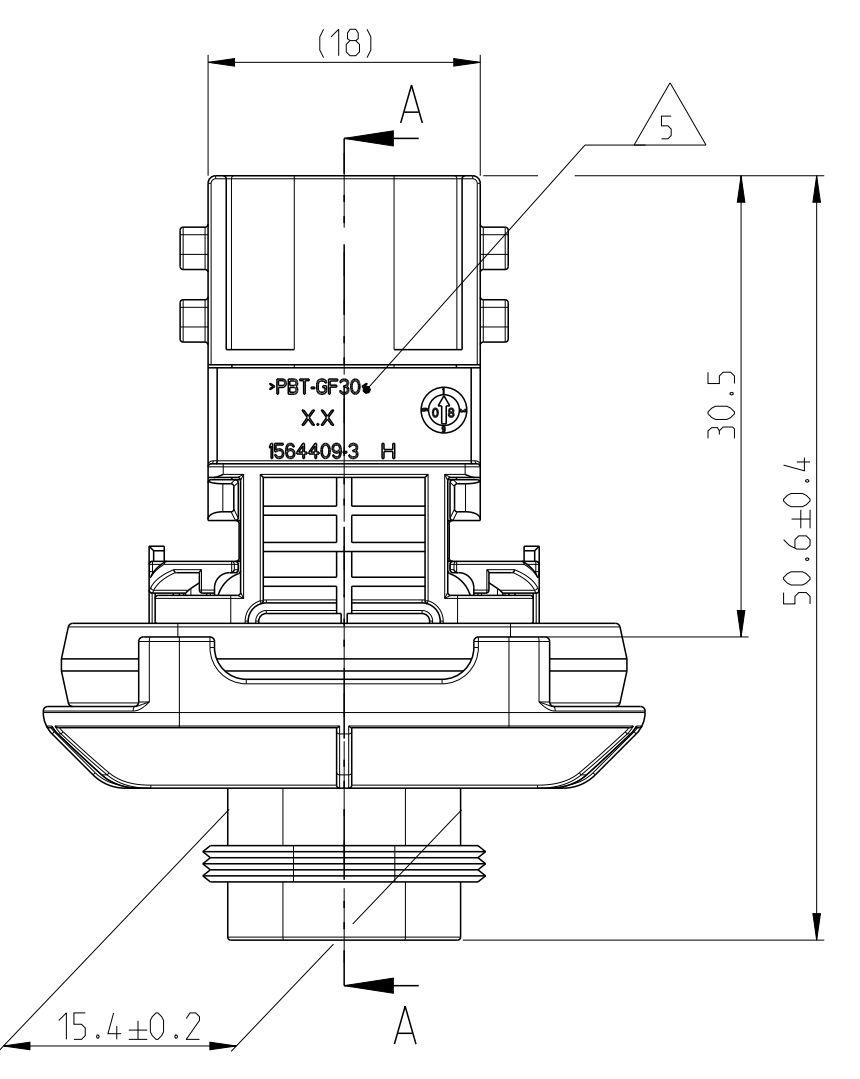


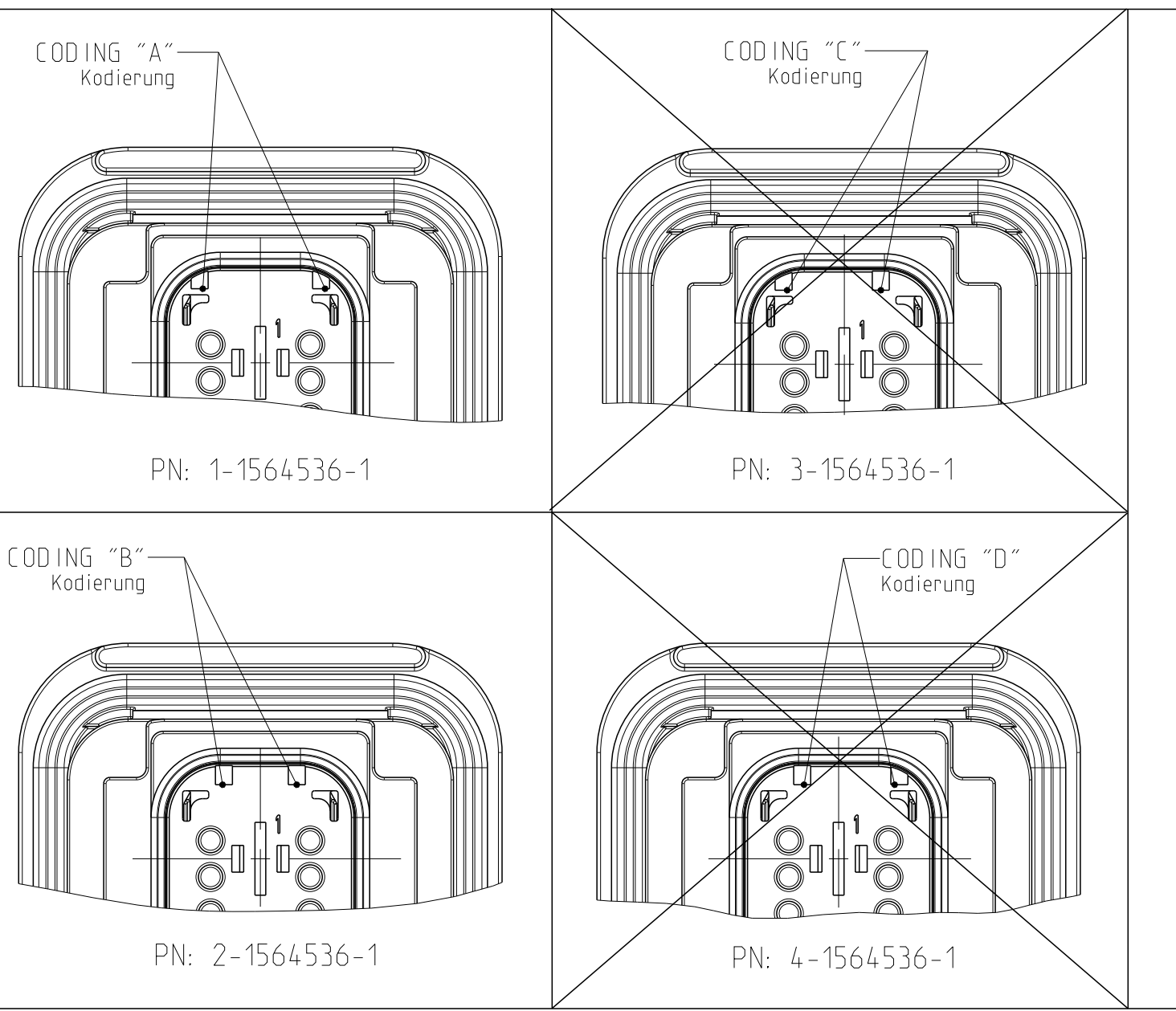
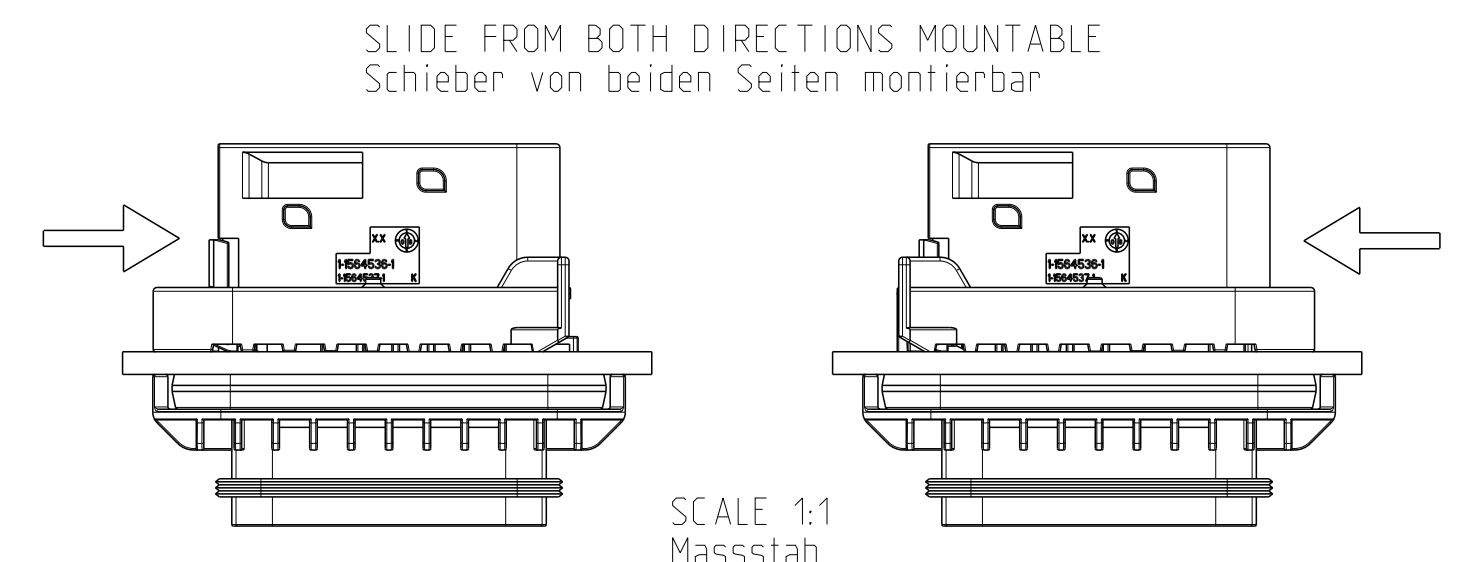
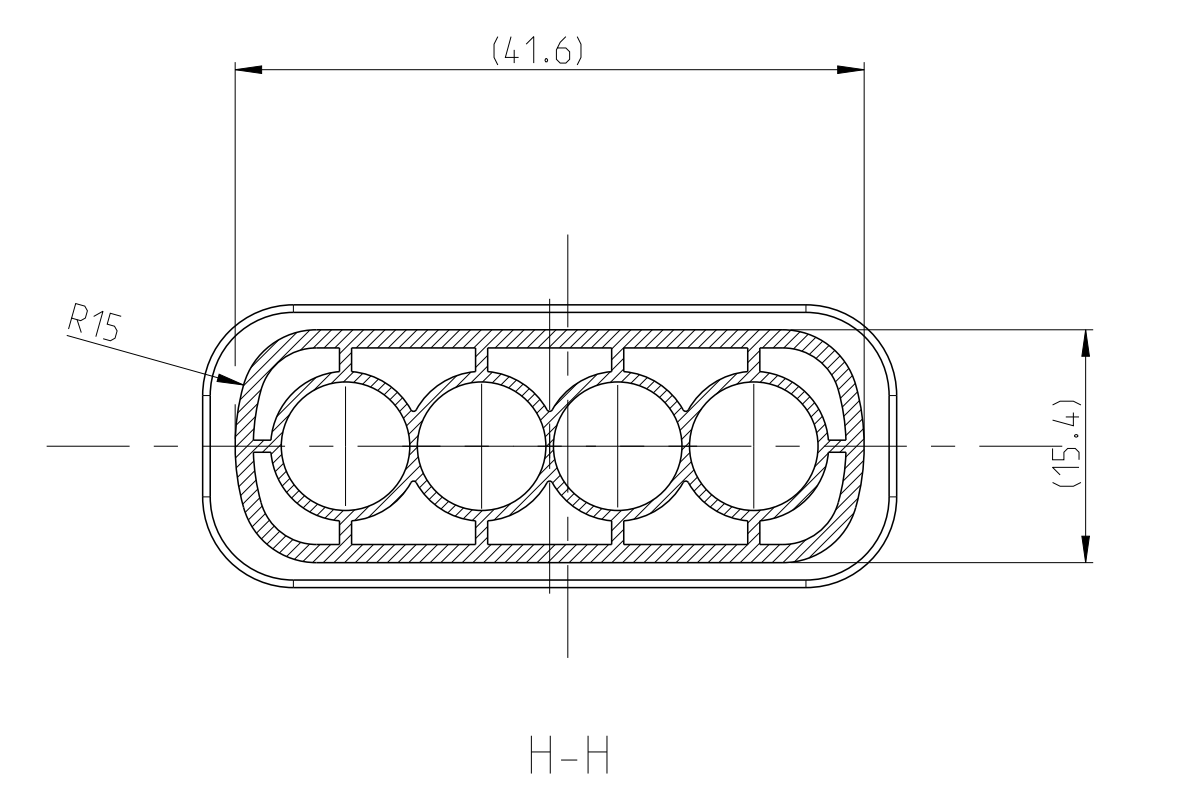
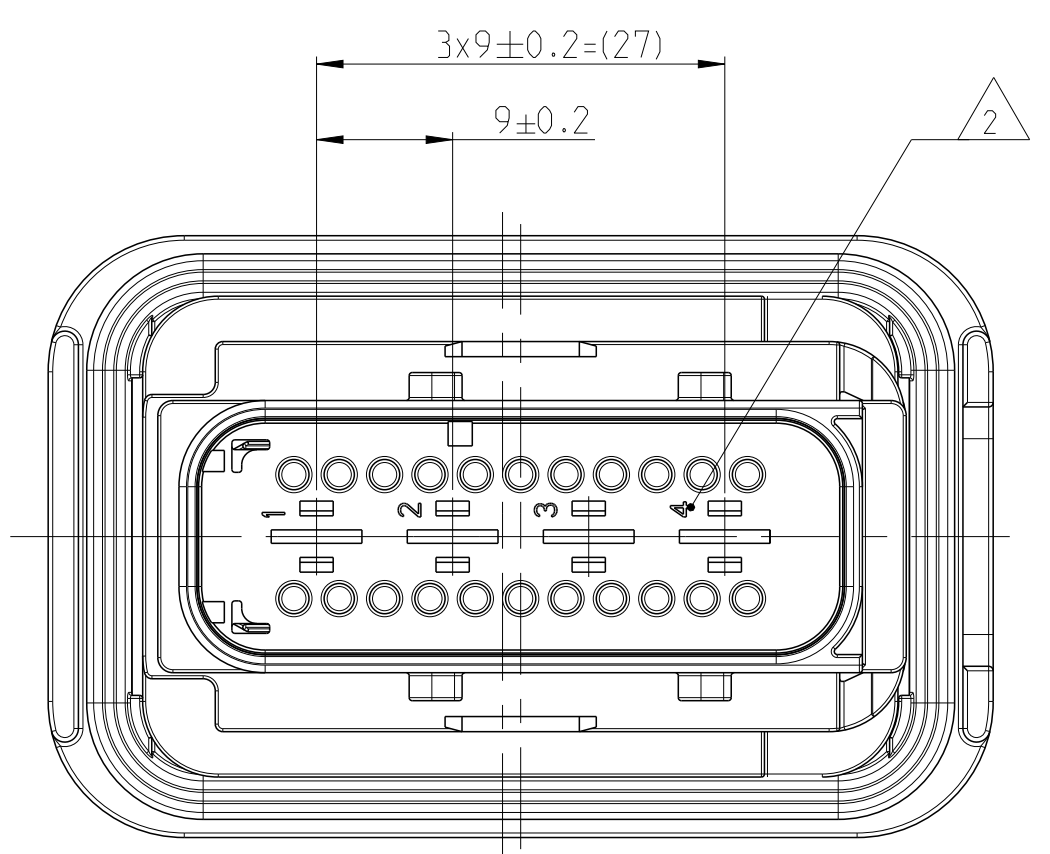
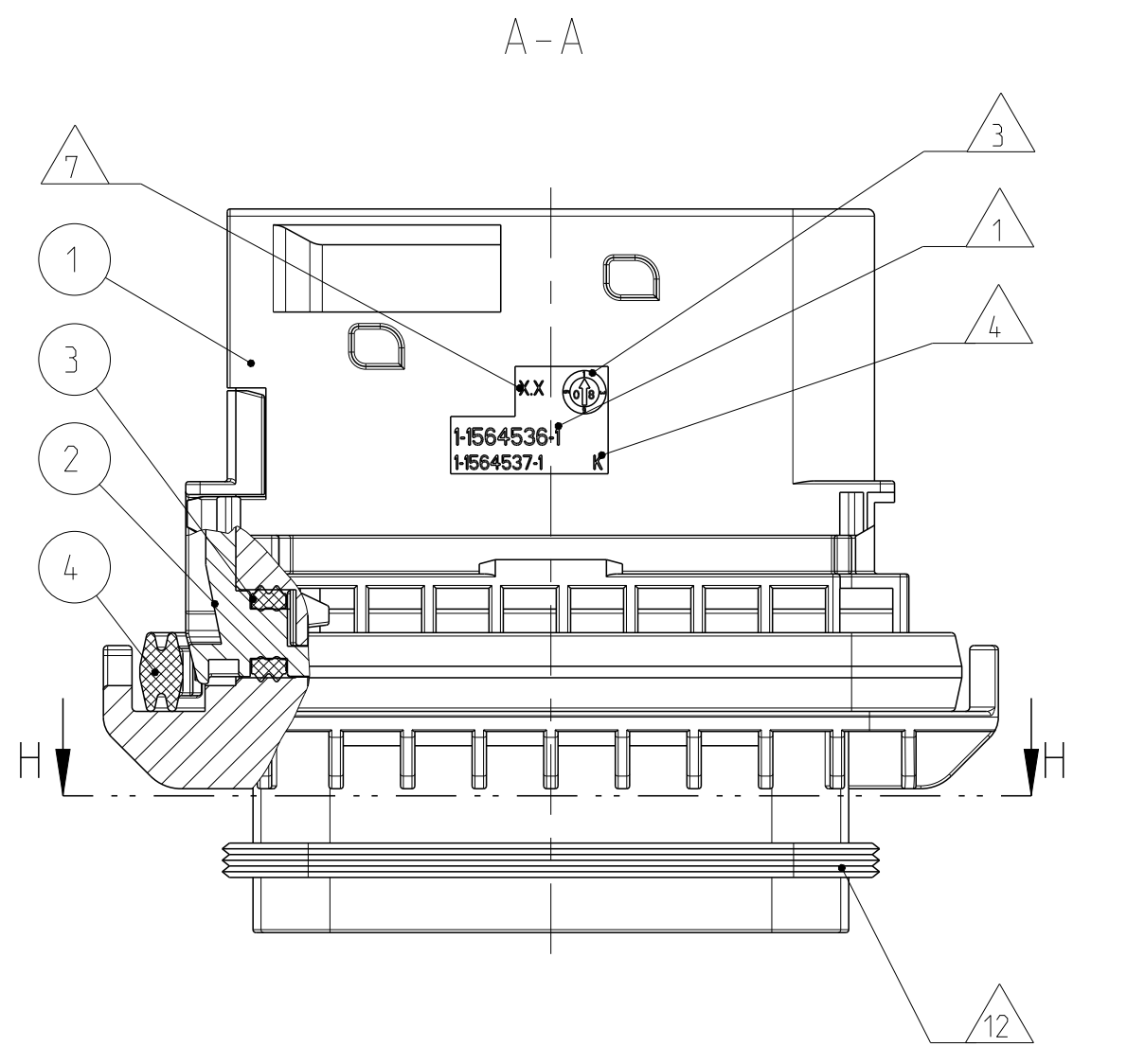
FIXING WITH SLIDE Befestigung mit Schieber	
W ALL THICKNESS "X" Wandstaerke "X"	TE ORDER NO. TE Best.-Nr.
1.0mm	N.N.
1.5mm	0-1564411-5
1.6mm	0-1564411-8
2.0mm	0-1564411-7
2.5mm	0-1564411-2
3.0mm	0-1564411-1
3.5mm	0-1564411-6
4.0mm	N.N.



1-1564536-1 AS SHOWN
1-1564536-1 wie gezeigt



DELIVERY CONDITION:
SECONDARY LOCKING DEVICE
IN PRE-LOCKED POSITION
Lieferzustand:
2. Kontaktsicherung in Vorrastellung



- NOTES
Bemerkungen
- TE ORDER-Nr.
 - CAVITY NUMBERING
 - PRODUCTION DATE
 - LETTER-INSERT FOR THE REVISION STATUS OF THE MOULD
 - MATERIAL MARKING ACCORDING TO VDA 260
 - BULK PACKAGING IN CORRUGATED BOX
 - MOULD CAVITY MARKING
 - TE LOGO
 - SUITABLE COUNTERPART SEE DRAWING: 1564330
 - CAVITIES MATED WITH TAB 5.8 x 0.8 MM (SW)
 - INTERFACE ACC. TO DRAWING: 114-18799-1
 - MATED WITH COVER SEE DRAWING: 1670865, 1670866
 - SLIDING DISTANCE OF SECONDARY LOCKING
 - MALFUNCTION CAUSED BY LAQUER IS NOT COVERED BY TE WARRANTY

SEALING SURFACE CUTOFF
Dichtflaeche Blechausschnitt

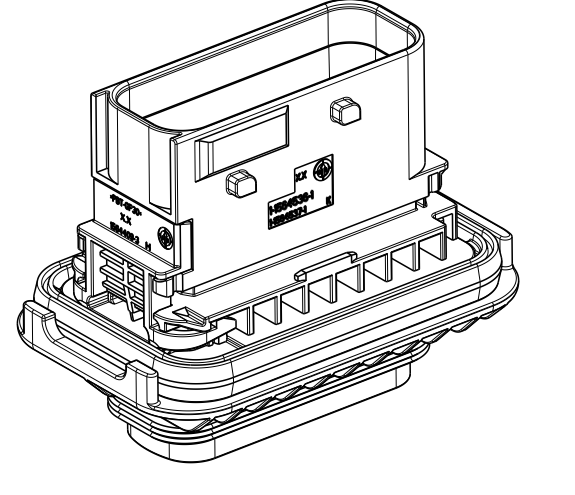
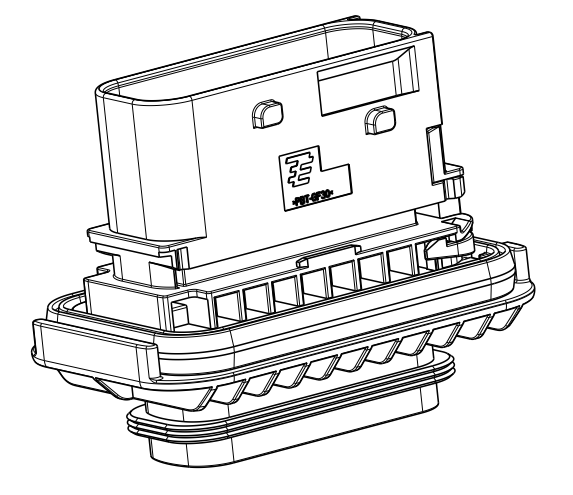
SURFACE ROUGHNESS Ra MAX. 1.8µm OR LESS FOR METAL PARTS.
Werkzeugoberflaeche Ra Max. 1.8µm oder weniger fuer Metallteile

SURFACE ROUGHNESS MIN. VDI 3400 - CLASS 24 FOR PLASTIC PARTS.
Werkzeugoberflaeche Min. VDI 3400 - Class 24 fuer Kunststoffteile.

THE FLATNESS MUST BE WITHIN THE TOLERANCE OF THE SHEET.
THEREFORE WITHIN ±0.1MM.
Die Ebenheit muss innerhalb der Toleranz des Blechs liegen bei (±0.1mm)

NO SINK MARKS, EJECTOR, DRAFT, DENTS, SCRATCHES.
PARAGRAPH ON THE SEALING AREA ALLOWED.
Keine Einfallstellen, Auswerfer, Ausformschraegen, Delle, Kratzer, Absaeetze zulaessig.

ITEM NO	DESCRIPTION	MATERIAL	COLOUR
1	BLACK	PBT-GF30 / V-0	schwarz
1	GREEN	PBT-GF30 / V-0	gruen
1	YELLOW	PBT-GF30 / V-0	gelb
2	WHITE	PBT-GF30 / V-0	weiss
3	GREEN	MVO	gruen
4	AXIAL SEAL 57X37	MVO	gruen



TE ORDER-NO.	REV.	NO. OF POS.	CODE	QUANTITY	ITEM NO
TE Bestell-Nr.		Polzahl	Kodierung	Stueck	ASSY
4-1564536-1	J	4	A	1	1
3-1564536-1	J	4	B	1	1
2-1564536-1	J	4	B	1	1
1-1564536-1	J	4	A	1	1

DIMENSIONS: MASSENHEITEN		TOLERANCES UNLESS OTHERWISE SPECIFIED: ALLEGRIE TOLERANZEN	
mm	ISO 8015	mm	ISO 8015
±0.1	M	±0.1	M
±0.05	M	±0.05	M
±0.02	M	±0.02	M
±0.01	M	±0.01	M

TE ORDER-NO.	REV.	NO. OF POS.	CODE	QUANTITY	ITEM NO
TE Bestell-Nr.		Polzahl	Kodierung	Stueck	ASSY
4-1564536-1	J	4	A	1	1
3-1564536-1	J	4	B	1	1
2-1564536-1	J	4	B	1	1
1-1564536-1	J	4	A	1	1

TE ORDER-NO.	REV.	NO. OF POS.	CODE	QUANTITY	ITEM NO
TE Bestell-Nr.		Polzahl	Kodierung	Stueck	ASSY
4-1564536-1	J	4	A	1	1
3-1564536-1	J	4	B	1	1
2-1564536-1	J	4	B	1	1
1-1564536-1	J	4	A	1	1

X-ON Electronics

Largest Supplier of Electrical and Electronic Components

Click to view similar products for [Automotive Connectors](#) category:

Click to view products by [TE Connectivity](#) manufacturer:

Other Similar products are found below :

[003-018-000](#) [60403001](#) [60993906-B](#) [M902-2131](#) [M902-2161](#) [72.330.1035.1](#) [73.353.4028.0](#) [F119300-B](#) [F166900](#) [F258300-B](#) [F358300-B](#)
[F407400](#) [F444110](#) [F487000](#) [F509500B-B](#) [827153-1](#) [8N1515-32-24P](#) [9-1326729-8](#) [925474-1](#) [928905-1](#) [964562-4](#) [968782-1](#) [GT17SA-8DS-](#)
[HU](#) [98891-1012](#) [98947-1016](#) [12004147](#) [12004475-L](#) [12010290](#) [12010309-B](#) [12015454](#) [12020219-B](#) [12020308](#) [12041318-B](#) [12052225-L](#)
[12052466](#) [12059125](#) [12064869](#) [12004327-B](#) [12010503-B](#) [12015308](#) [12015384](#) [12015909](#) [1-21030-1](#) [12041254](#) [12041318](#) [12047946-B](#)
[12047957](#) [12047957-L](#) [12059473](#) [12066261](#)