

4

3

2

1

THIS DRAWING IS UNPUBLISHED.

RELEASED FOR PUBLICATION

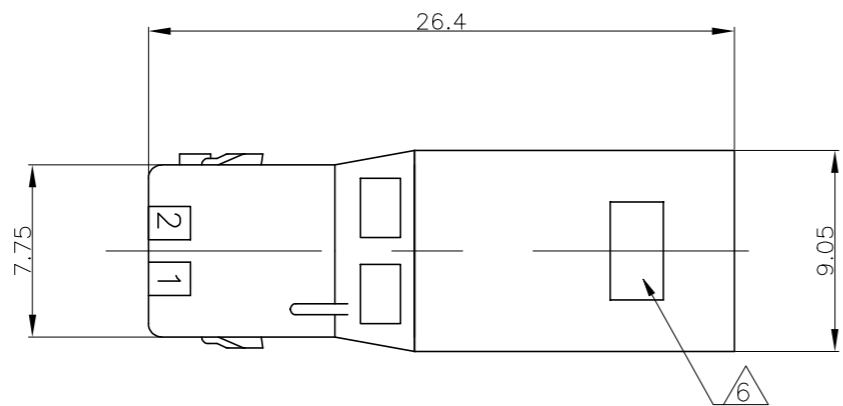
© COPYRIGHT - TE Connectivity Ltd.

ALL RIGHTS RESERVED.

REVISIONS

変更

P	LTR	DESCRIPTION	DATE	DWN	APVD
	C7	REVISED PER ECR-19-006394	24APR2019	SC	D.Z



注) 1.一般公差:±0.25

△材料: 66ナイロン ガラス無(UL94V-0)

△かん合相手製品型番

プラグハウジング: TABLE参照のこと

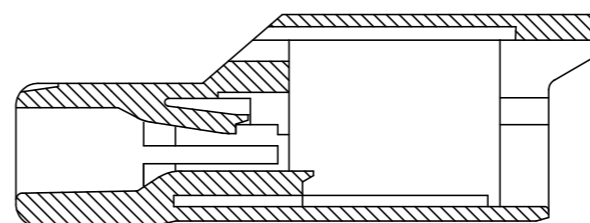
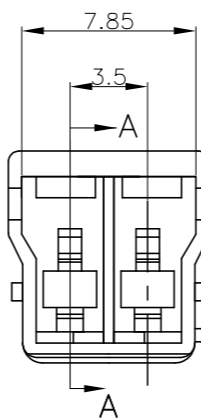
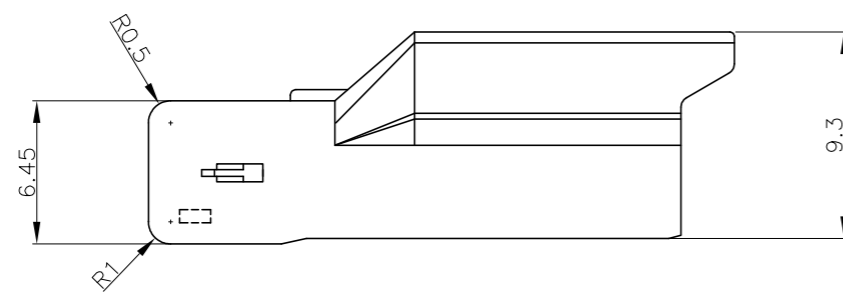
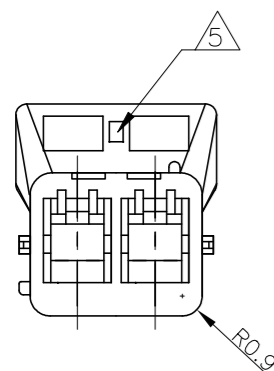
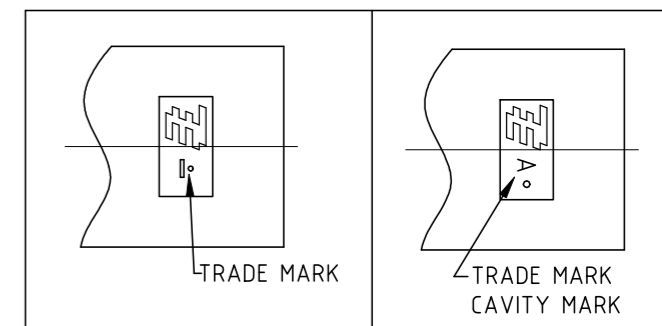
タブコンタクト: 1565080-1,1612335-1

4. 適応プレート型番: 1565089-1

△表1参照

△表1参照

△6 TABLE 1



断面A-A

NOTES)

1. GENERAL TOLERANCE: ±0.25

△ MATERIAL: PA66(UL94V-0)

△ MATING CONN. P/N

PLUG HOUSING: SEE TABLE

TAB CONTACT: 1565080-1,1612335-1

4. APPLICABLE PLATE P/N:1565089-1

△ SEE TABLE 1

△ MATERIAL: PA66(UL94 V-0), PARTS COMPLY WITH GLOW WIRE REQUIREMENTS (GWT) PER IEC 60335-1

△ PRELIMINARY P/N

△ MATERIAL; PA66/6(UL94V-0)

THIS DRAWING IS A CONTROLLED DOCUMENT.		DWN A.OISHI 30 MAY. '02	TE Connectivity Ltd.													
DIMENSIONS: 単位: 耗 mm		CHK M.SHINDO 30 MAY. '02														
TOLERANCES UNLESS OTHERWISE SPECIFIED: 一般公差		APVD M.SHINDO 30 MAY. '02	NAME 名称 GRACE INERTIA CONNECTOR 3.5 2 POS CAP HOUSING													
<table border="1"> <tr><td>0 PLC</td><td>±</td></tr> <tr><td>1 PLC</td><td>±</td></tr> <tr><td>2 PLC</td><td>±</td></tr> <tr><td>3 PLC</td><td>±</td></tr> <tr><td>4 PLC</td><td>±</td></tr> <tr><td>ANGLES</td><td>±</td></tr> </table>		0 PLC	±	1 PLC	±	2 PLC	±	3 PLC	±	4 PLC	±	ANGLES	±	PRODUCT SPEC 製品規格 108-5810	サイズ CAGE CODE DRAWING NO 番号 A3 00779 C=1565085	
0 PLC	±															
1 PLC	±															
2 PLC	±															
3 PLC	±															
4 PLC	±															
ANGLES	±															
MATERIAL 材料 △2 △7 △9		FINISH 仕上 -	RESTRICTED TO -													
CUSTOMER DRAWING		WEIGHT -	SCALE 尺度 - SHEET 1 of 2 REV C7													

THIS DRAWING IS UNPUBLISHED.

RELEASED FOR PUBLICATION

© COPYRIGHT - TE Connectivity Ltd.

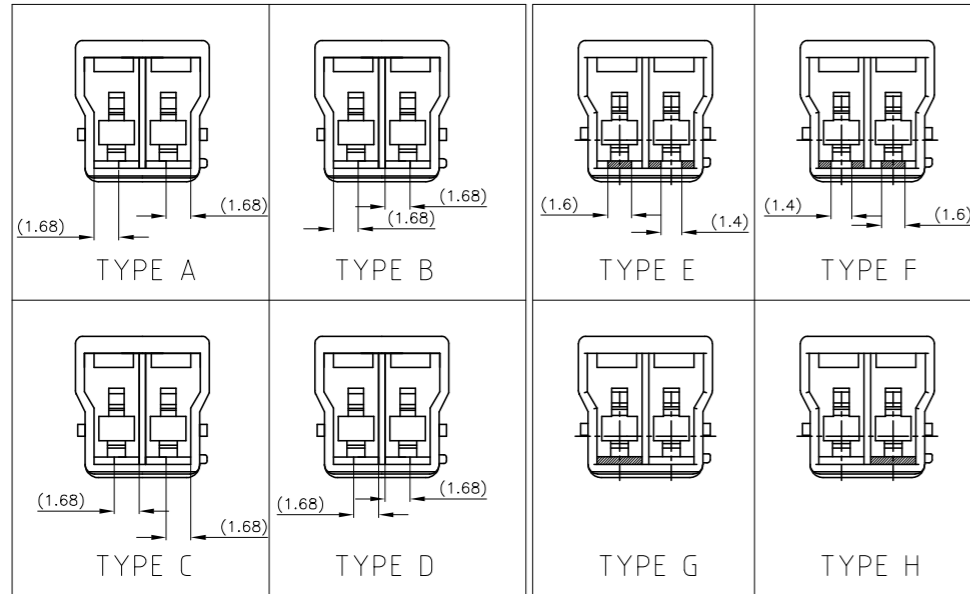
ALL RIGHTS RESERVED.

REVISIONS

変更

P	LTR	DESCRIPTION	DATE	DWN	APVD
-	-	SEE SHEET 1	-	-	-

KEYING TYPE



9	4-1565081-4	H	ORANGE	4-1565085-4
	4-1565081-3	G	VIOLET	4-1565085-3
	4-1565081-2	F	BROWN	4-1565085-2
	4-1565081-1	E	DARK GRAY	4-1565085-1
7	1-1565081-6	A	BLACK	1-1565085-6
	1-1565081-5	A	GREEN	1-1565085-5
	3-1565081-5	D	YELLOW	3-1565085-5
	2-1565081-4	C	BLUE	2-1565085-4
	1-1565081-3	B	RED	1-1565085-3
	1-1565081-1	A	NATURAL	1-1565085-1
2	1565081-6	A	BLACK	1565085-6
	1565081-5	A	GREEN	1565085-5
	3-1565081-4	D	YELLOW	3-1565085-4
	2-1565081-3	C	BLUE	2-1565085-3
	1-1565081-2	B	RED	1-1565085-2
	1565081-1	A	NATURAL	1565085-1
MATERIAL	△ MATING HSG P/N	KEYING TYPE	COLOR	P/N

THIS DRAWING IS A CONTROLLED DOCUMENT.		DWN A.OISHI 30 MAY. '02	TE Connectivity Ltd.		
DIMENSIONS: 單位: 耗 mm		CHK M.SHINDO 30 MAY. '02			
TOLERANCES UNLESS OTHERWISE SPECIFIED: 一般公差		APVD M.SHINDO 30 MAY. '02	NAME 名称 GRACE INERTIA CONNECTOR 3.5 2 POS CAP HOUSING		
		PRODUCT SPEC 製品規格 108-5810	DRAWING NO 番号 C=1565085		
MATERIAL 材料 SEE TABLE		APPLICATION SPEC 取付適用規格 114-5306	SIZE A3	CAGE CODE 00779	RESTRICTED TO -
FINISH 仕上 -		WEIGHT -	SHEET 2 OF 2		
		CUSTOMER DRAWING		REV C7	

X-ON Electronics

Largest Supplier of Electrical and Electronic Components

Click to view similar products for [Headers & Wire Housings](#) category:

Click to view products by [TE Connectivity](#) manufacturer:

Other Similar products are found below :

[892-18-020-10-001101](#) [58102-G61-06LF](#) [582553-1](#) [0009485154](#) [009176003701906](#) [0050291907](#) [LY20-4P-DT1-P1E-BR](#) [02.125.8002.8](#)
[609-3404](#) [61062-3](#) [61082-181009](#) [622-3653LF](#) [63453-116](#) [636-1030](#) [636-1427](#) [636-3427](#) [636-4007](#) [641938-9](#) [641991-4](#) [644827-2](#) [65817-010LF](#) [65817-015LF](#) [65863-015LF](#) [66207-023LF](#) [67095-007LF](#) [67601157](#) [68645-018](#) [68648-049](#) [70.362.1628.0](#) [70-4210](#) [70-4226B](#) [70-4853B](#) [707-5020](#) [707-5028](#) [71.350.2428.0](#) [71918-208LF](#) [71961-016LF](#) [733-134](#) [733-162](#) [754199-000](#) [760-3052](#) [787-8014-00](#) [79531-3000](#)
[FCN-360C032-B](#) [FCN-367T-T012/H](#) [FCN-723D010/2](#) [80.063.4001.1](#) [800-90-001-10-001000](#) [800-90-010-10-002000](#) [801-43-002-10-013000](#)