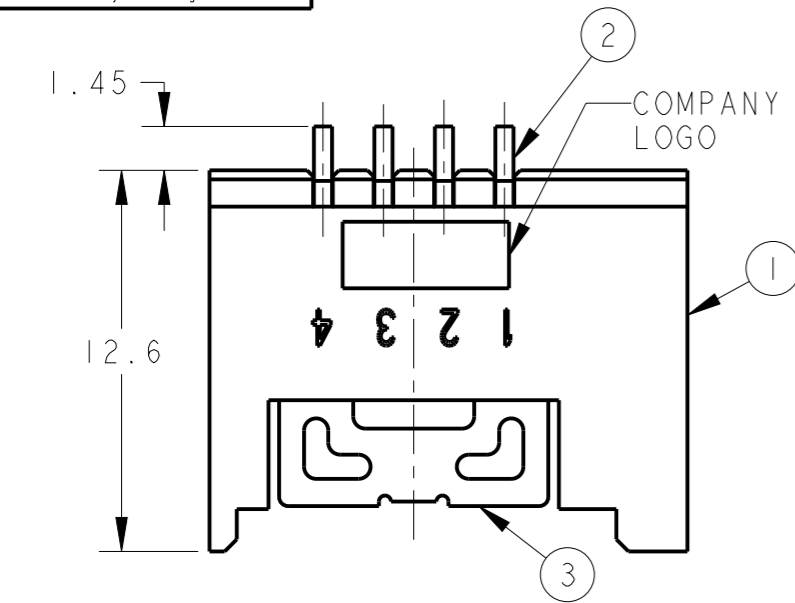
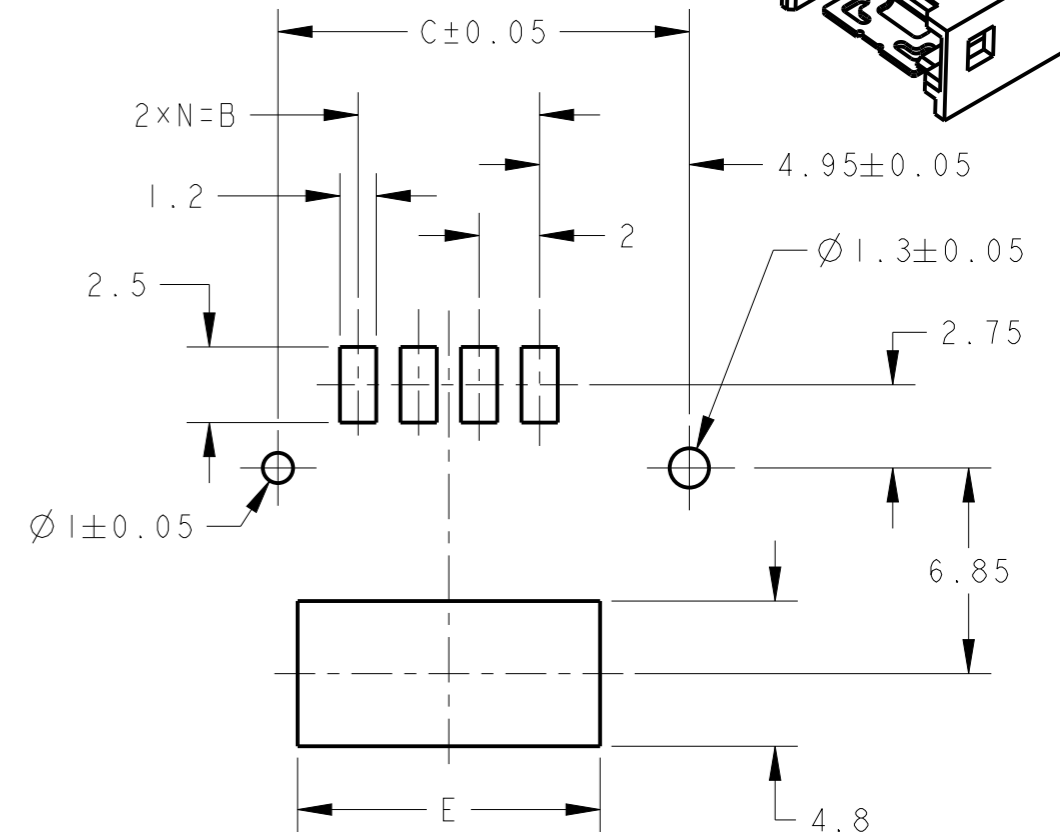
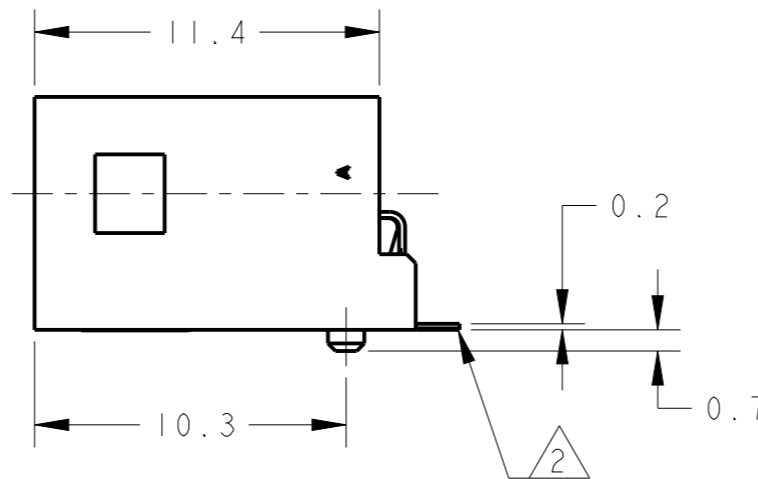
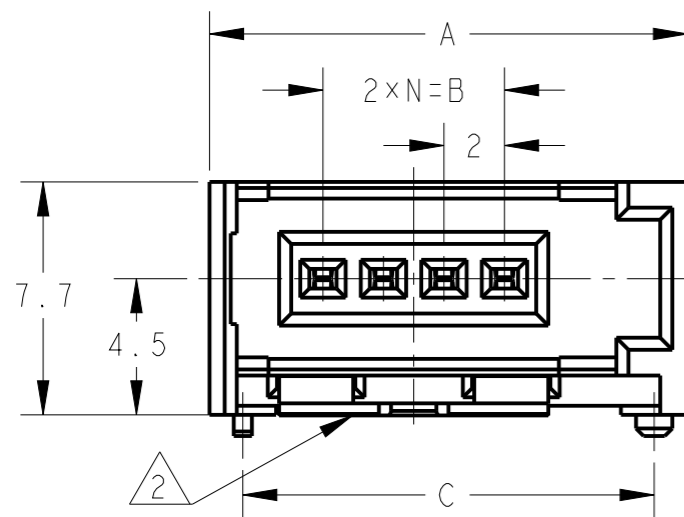


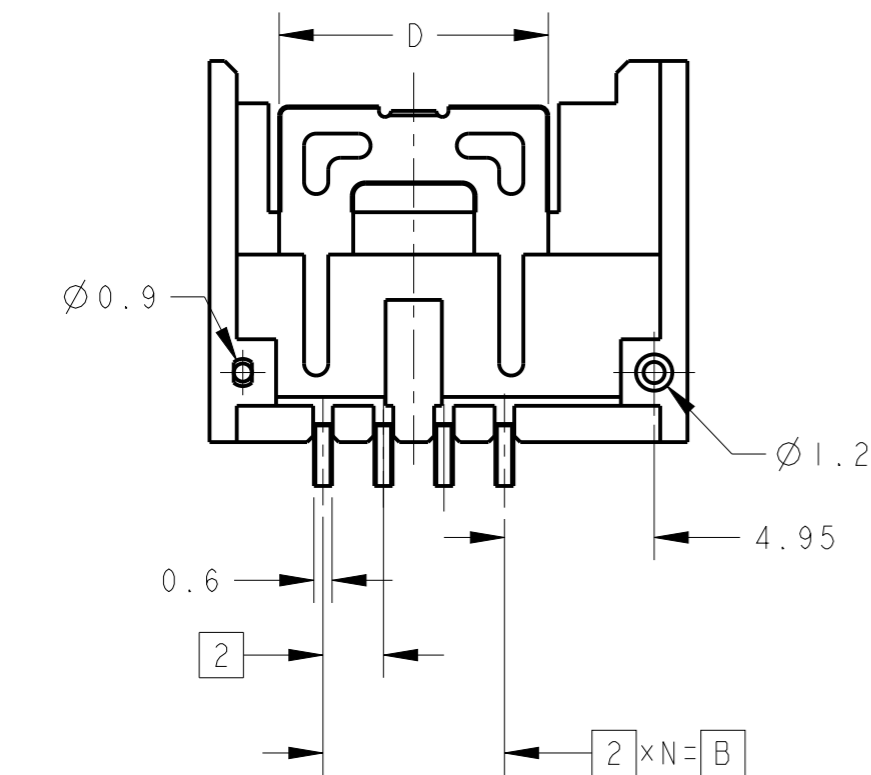
P	LTR	DESCRIPTION	DATE	DWN	APVD
	R	REVISED PER ECR-21-102050	14APR2021	M. J	E. I



1 MATERIAL & FINISH
 CONTACT: COPPER ALLOY, UNDER Ni PLATING 1.27umMIN
 CONTACT AREA: Au PLATING 0.2umMIN
 TINE AREA: TIN PLATING 1~3um
 HOUSING: THERMO PLASTIC
 SOLDER PEG; COPPER ALLOY, UNDER Ni PLATING 1.27umMIN
 TINE AREA: TIN PLATING 1~3um
 2 COPLANARITY OF CONTACT AND SOLDER PEG: 0.1mm MAX.



REFERENCE DIMENSION OF PCB(MOUNTING SIDE)



1565994-3, 4: AS SHOWN

1.1g	0.95g	1.1g	0.95g																		
1	1	1	1	SOLDER PEG																	3
4	3	4	3	HDR CONTACT																	2
1				HSR HSG, 4P, W/O BOSS	10	8.9	-	6	15.8	3	4	1									
	1			HDR HSG, 3P, W/O BOSS	8	6.9	-	4	13.8	2	3	1									
		1		HDR HSG, 4P, WITH BOSS	10	8.9	13.6	6	15.8	3	4	1									
			1	HDR HSG, 3P, WITH BOSS	8	6.9	11.6	4	13.8	2	3	1									
1	-4	1	-3	-4	-3	NAME	E	D	C	B	A	N	POS	ITEM							

THIS DRAWING IS A CONTROLLED DOCUMENT.

DWN M. Kimura 18APR2002
 CHK Y. KASHIWA 18APR2002
 APVD Y. KASHIWA 18APR2002

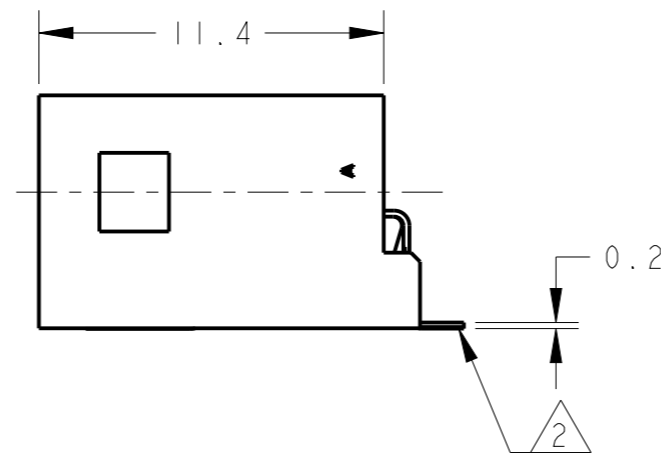
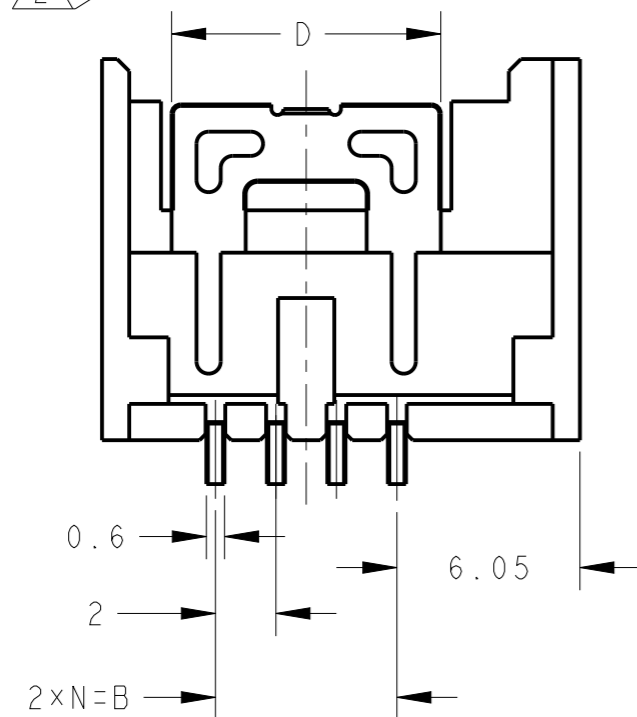
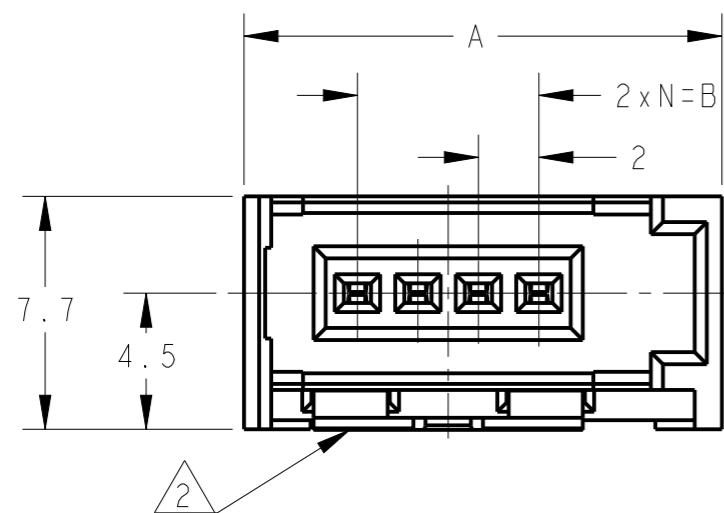
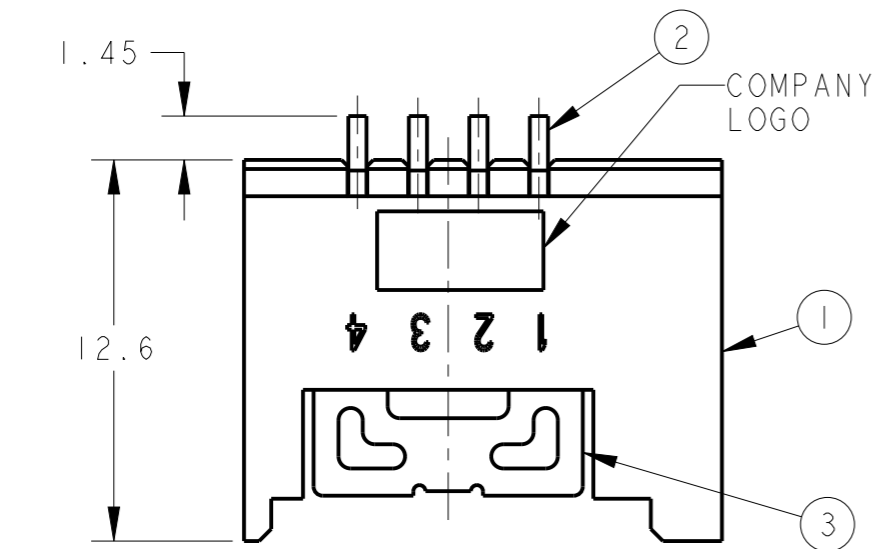
TE TE Connectivity
 NAME HDR ASSEMBLY, RIGHT ANGLE SMT TYPE RITS CONNECTOR

SIZE A3	CAGE CODE	DRAWING NO C-1565994	RESTRICTED TO
WEIGHT TABLE	SCALE 4:1	SHEET 1 OF 3	REV R

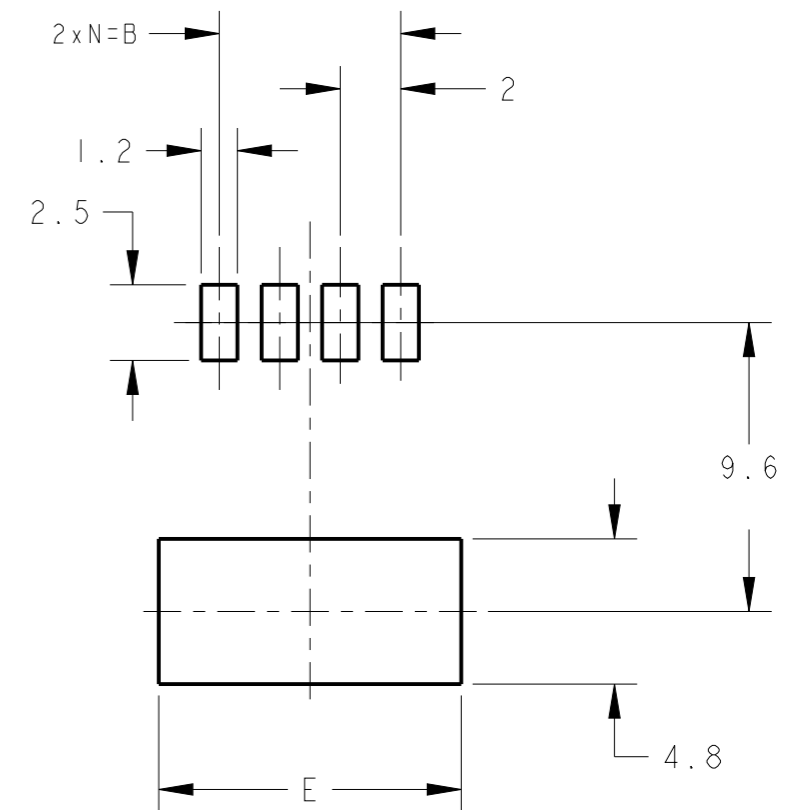
DIMENSIONS: mm
 TOLERANCES UNLESS OTHERWISE SPECIFIED: ±0.25
 0 PLC ±
 1 PLC ±0.1
 2 PLC ±0.01
 3 PLC ±0.001
 4 PLC ±0.0001
 ANGLES ±3°
 MATERIAL SEE NOTE FINISH SEE NOTE

CUSTOMER DRAWING
 SCALE 4:1 SHEET 1 OF 3 REV R

P	LTR	DESCRIPTION	DATE	DWN	APVD
-		SEE SHEET 1	-	-	-



1-1565994-3, 4: AS SHOWN

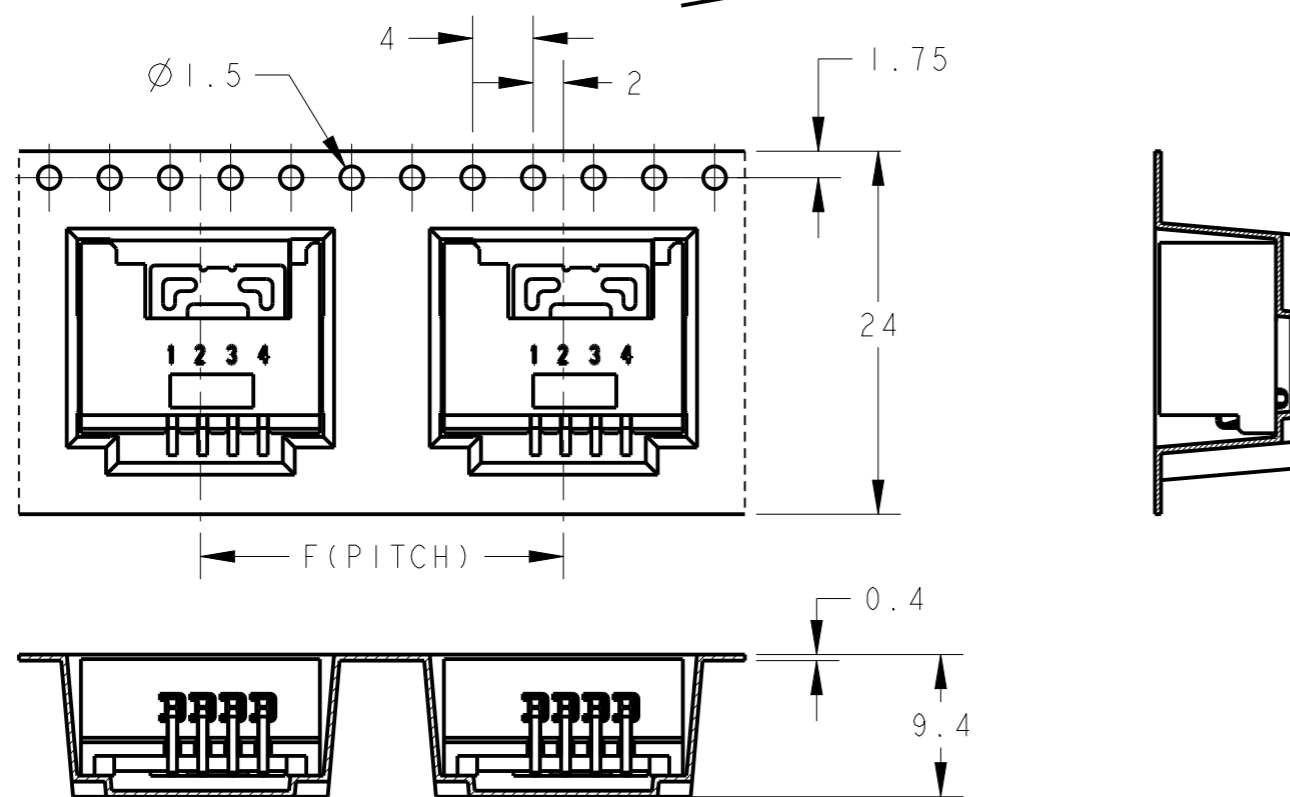


REFERENCE DIMENSION OF PCB(MOUNTING SIDE)

THIS DRAWING IS A CONTROLLED DOCUMENT.		DWN M. Kimura 18APR2002		
DIMENSIONS: mm		CHK Y. KASHIWA 18APR2002		
TOLERANCES UNLESS OTHERWISE SPECIFIED: ±0.25		APVD Y. KASHIWA 18APR2002	NAME HDR ASSEMBLY, RIGHT ANGLE SMT TYPE RITS CONNECTOR	
0 PLC ± 1 PLC ±0.1 2 PLC ±0.01 3 PLC ±0.001 4 PLC ±0.0001 ANGLES ±3°		PRODUCT SPEC 108-5765	SIZE A3	CAGE CODE C-1565994
MATERIAL SEE SHEET 1	FINISH SEE SHEET 1	APPLICATION SPEC -	DRAWING NO C-1565994	RESTRICTED TO -
CUSTOMER DRAWING		WEIGHT TABLE	SCALE 4:1	SHEET 2 OF 3
				REV R

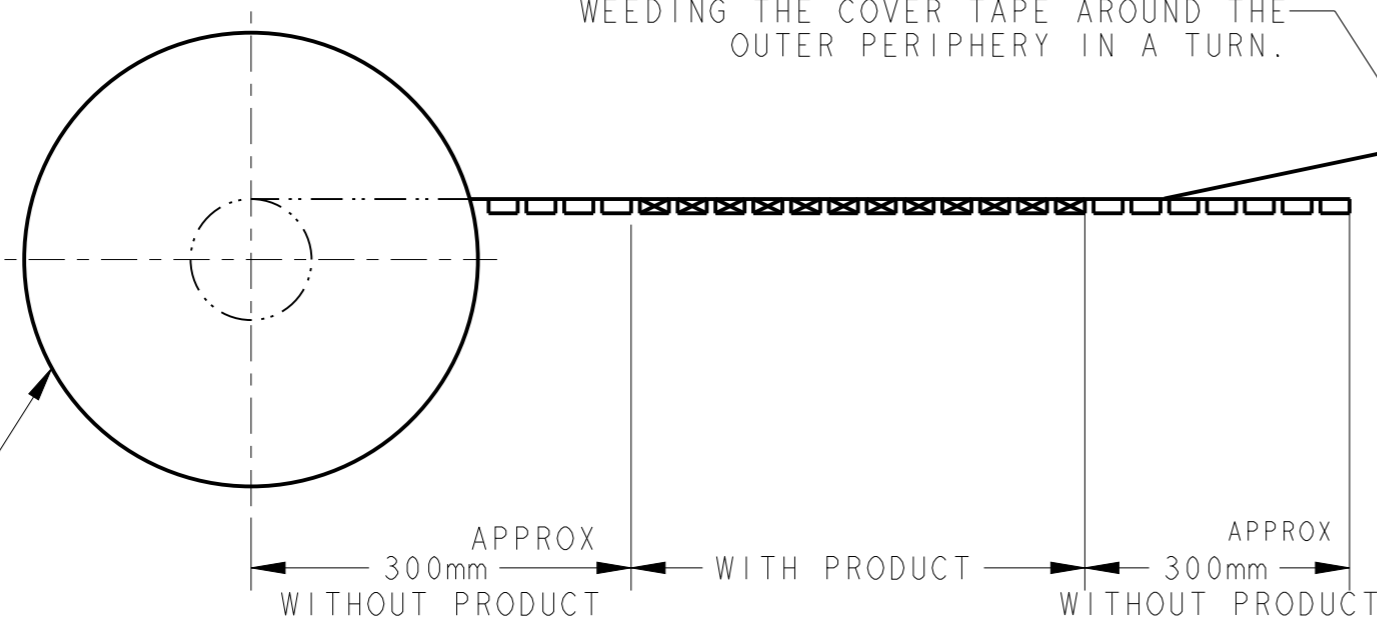
P	LTR	DESCRIPTION	DATE	DWN	APVD
-		SEE SHEET 1	-	-	-

DIRECTION OFF TOP PF REEL →



PACKING STYLE

WEEDING THE COVER TAPE AROUND THE OUTER PERIPHERY IN A TURN.



200	4	24	1-1565994-4
250	3	20	1-1565994-3
200	4	24	1565994-4
250	3	20	1565994-3
QTY	POS	F	PART NO.

REEL SIZE:
330 DIA x 80 DIA (HUB) x 31.5 W (25.5 W INSIDE)

THIS DRAWING IS A CONTROLLED DOCUMENT.		DWN M. Kimura 18APR2002	TE Connectivity	
DIMENSIONS: mm		CHK Y. KASHIWA 18APR2002		
TOLERANCES UNLESS OTHERWISE SPECIFIED: ± 0.3		APVD Y. KASHIWA 18APR2002	NAME HDR ASSEMBLY, RIGHT ANGLE SMT TYPE RITS CONNECTOR	
<ul style="list-style-type: none"> 0 PLC \pm 1 PLC ± 0.1 2 PLC ± 0.01 3 PLC ± 0.001 4 PLC ± 0.0001 ANGLES $\pm 3^\circ$ 		PRODUCT SPEC -	RESTRICTED TO -	
MATERIAL SEE SHEET 1		FINISH SEE SHEET 1	APPLICATION SPEC -	SCALE NONE
MATERIAL SEE SHEET 1		FINISH SEE SHEET 1	WEIGHT TABLE	SIZE A3
CUSTOMER DRAWING		DRAWING NO C-1565994		SHEET 3 OF 3
		REV R		

X-ON Electronics

Largest Supplier of Electrical and Electronic Components

Click to view similar products for [Headers & Wire Housings](#) category:

Click to view products by [TE Connectivity](#) manufacturer:

Other Similar products are found below :

[892-18-020-10-001101](#) [58102-G61-06LF](#) [582553-1](#) [0009485154](#) [009176003701906](#) [0050291907](#) [LY20-4P-DT1-P1E-BR](#) [02.125.8002.8](#)
[609-3404](#) [61062-3](#) [61082-181009](#) [622-3653LF](#) [63453-116](#) [636-1030](#) [636-1427](#) [636-3427](#) [636-4007](#) [641938-9](#) [641991-4](#) [644827-2](#) [65817-010LF](#) [65817-015LF](#) [65863-015LF](#) [66207-023LF](#) [67095-007LF](#) [67601157](#) [68645-018](#) [68648-049](#) [70.362.1628.0](#) [70-4210](#) [70-4226B](#) [70-4853B](#) [707-5020](#) [707-5028](#) [71.350.2428.0](#) [71918-208LF](#) [71961-016LF](#) [733-134](#) [733-162](#) [754199-000](#) [760-3052](#) [787-8014-00](#) [79531-3000](#)
[FCN-360C032-B](#) [FCN-367T-T012/H](#) [FCN-723D010/2](#) [80.063.4001.1](#) [800-90-001-10-001000](#) [800-90-010-10-002000](#) [801-43-002-10-013000](#)