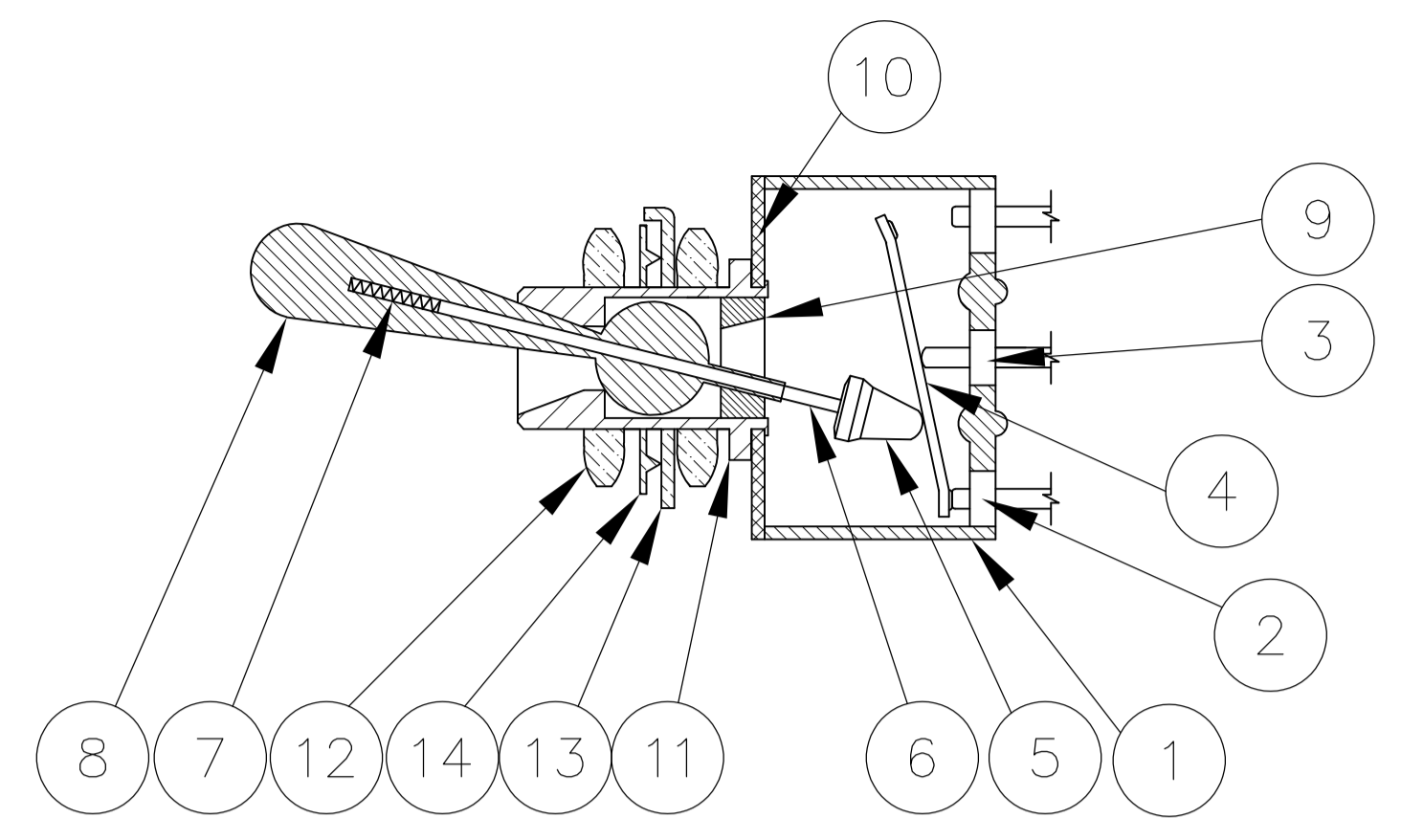


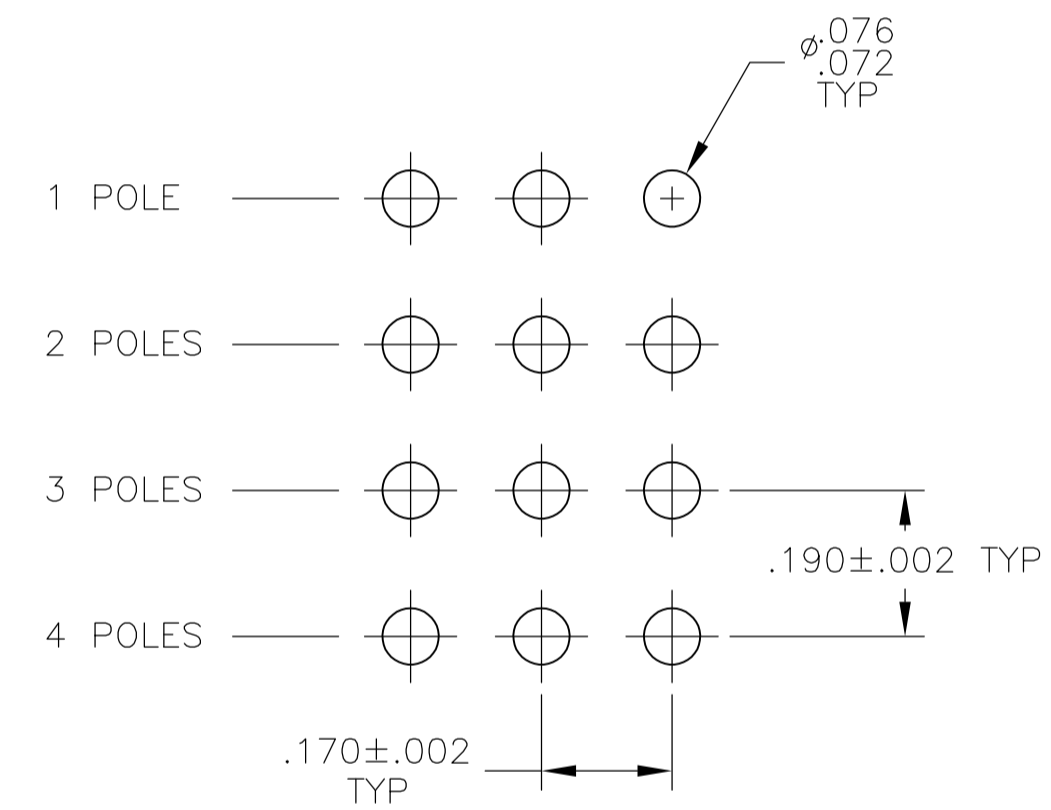
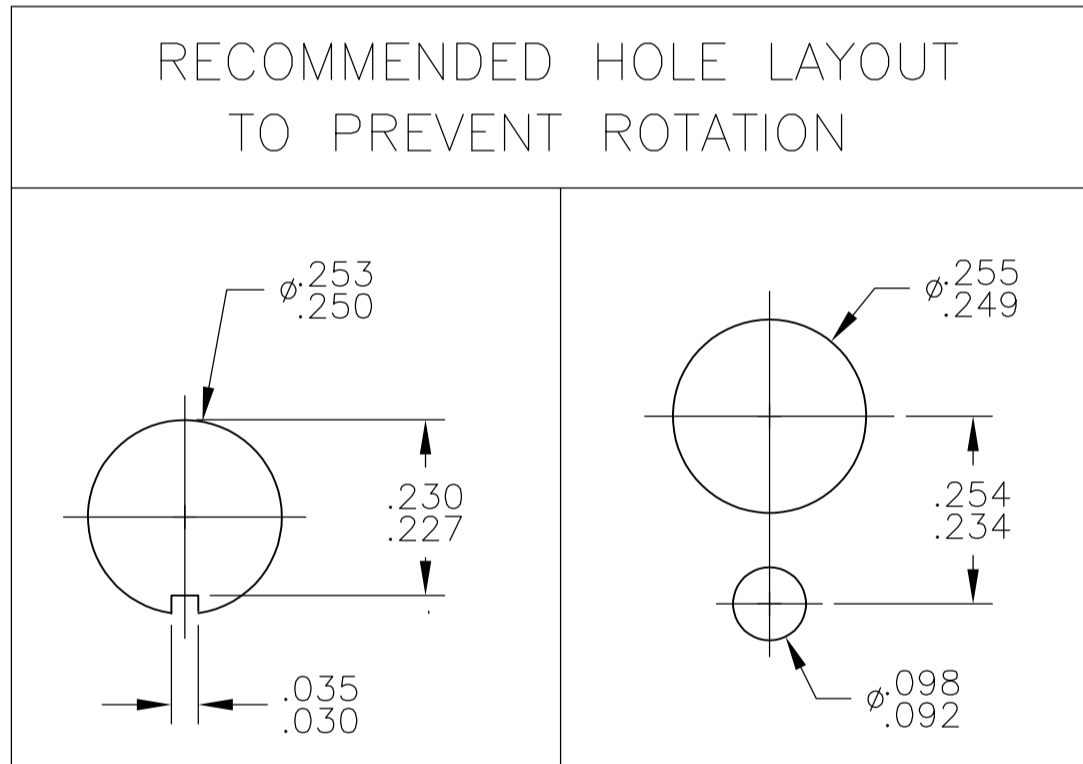
Materials		
No.	Component name	Base material
1	Housing	ALKYD, GREEN, UL94 V-0
2	End terminal	silver clad copper alloy
3	Center terminal	copper alloy
4	Rocker contact	silver clad copper alloy
5	Actuator	Phenol resin, UL94 HB, black
6	Plunger	stainless steel
7	Spring	music wire
8	Toggle	brass
9	Retainer	Polyamide, UL94 HB, black
10	Frame	STAINLESS STEEL
11	Bushing	Zinc
12	Mounting nuts (2)	brass
13	Locating ring	cold rolled steel
14	Internal tooth lockwasher	steel

OBSOLETE



NOT TO SCALE

Specifications - see note 3				
Current rating UL & CSA	6A @ 125 VAC (resistive) 3A @ 250 VAC (resistive) 4A @ 28 VDC (resistive)			
Termination resistance	20 milliohms max @ 2-4 VDC, 1A			
Insulation resistance	1,000 megohms min.			
Withstanding voltage	1,000 VAC			
Travel	24 +/- 2 degrees			
Actuation force	.05 to 1.5 kgf			
Operating temperature	-20C to +85C			
Storage temperature	-40C to +85C			
Contact timing	break before make			
Terminal seal	epoxy			
Durability	Parameter	2 Position	3 Position	Momentary
	mechanical (no load)	150,000	100,000	80,000
	250 VAC (3A resistive)	80,000	60,000	60,000
	125 VAC (6A resistive)	80,000	60,000	60,000
	28 VDC (4A resistive)	60,000	50,000	40,000



- TERMINAL NUMBERS ARE FOR REFERENCE ONLY AND DO NOT APPEAR ON THE SWITCHES.
- EACH SWITCH SUPPLIED WITH THE FOLLOWING MOUNTING HARDWARE:
 (2) 1/4-40 UNS-2B HEX NUTS
 (1) INTERNAL TOOTH LOCKWASHER
 (1) LOCATING RING
- SWITCHES TESTED TO AND MEET THE REQUIREMENTS OF UL 61058-1A, SWITCHES FOR APPLIANCES SWITCHES WILL ALSO BE TESTED TO AND MEET THE REQUIREMENTS OF TE CONNECTIVITY 102-2469, REV 0, MINIATURE SWITCH QUALIFICATION REQUIREMENTS.
- SWITCHES ARE PENDING UL RECOGNITION TO US AND CANADIAN STANDARDS.
- WIRE LUG CONTACTS WILL ACCEPT 2 #20 AWG SOLID OR STRANDED WIRES.
- CUSTOMER INSTALLED EXTERNAL JUMPER BETWEEN TERMINALS 2 AND 4 REQUIRED FOR 1 POLE 3 THROW FUNCTION.
- CUSTOMER INSTALLED EXTERNAL JUMPERS BETWEEN TERMINALS 2 AND 4 AS WELL AS 8 AND 10 REQUIRED FOR 2 POLE 3 THROW FUNCTION.
- SWITCHES ARE MARKED PER TE CONNECTIVITY SPEC 202-37 WITH ALCO BENEATH LOGO AS SHOWN.
- ALL MATERIALS AND FINISHES SHALL COMPLY WITH EU DIRECTIVE 2002/95/EC OF 27JAN2003 (ROHS).
- CASE LENGTH .512.

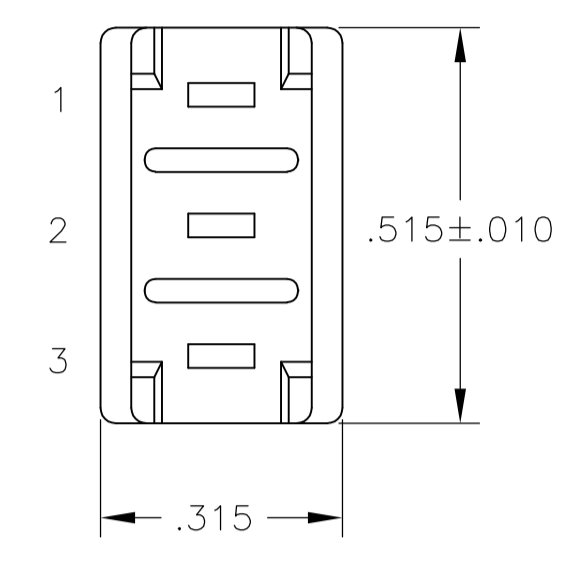
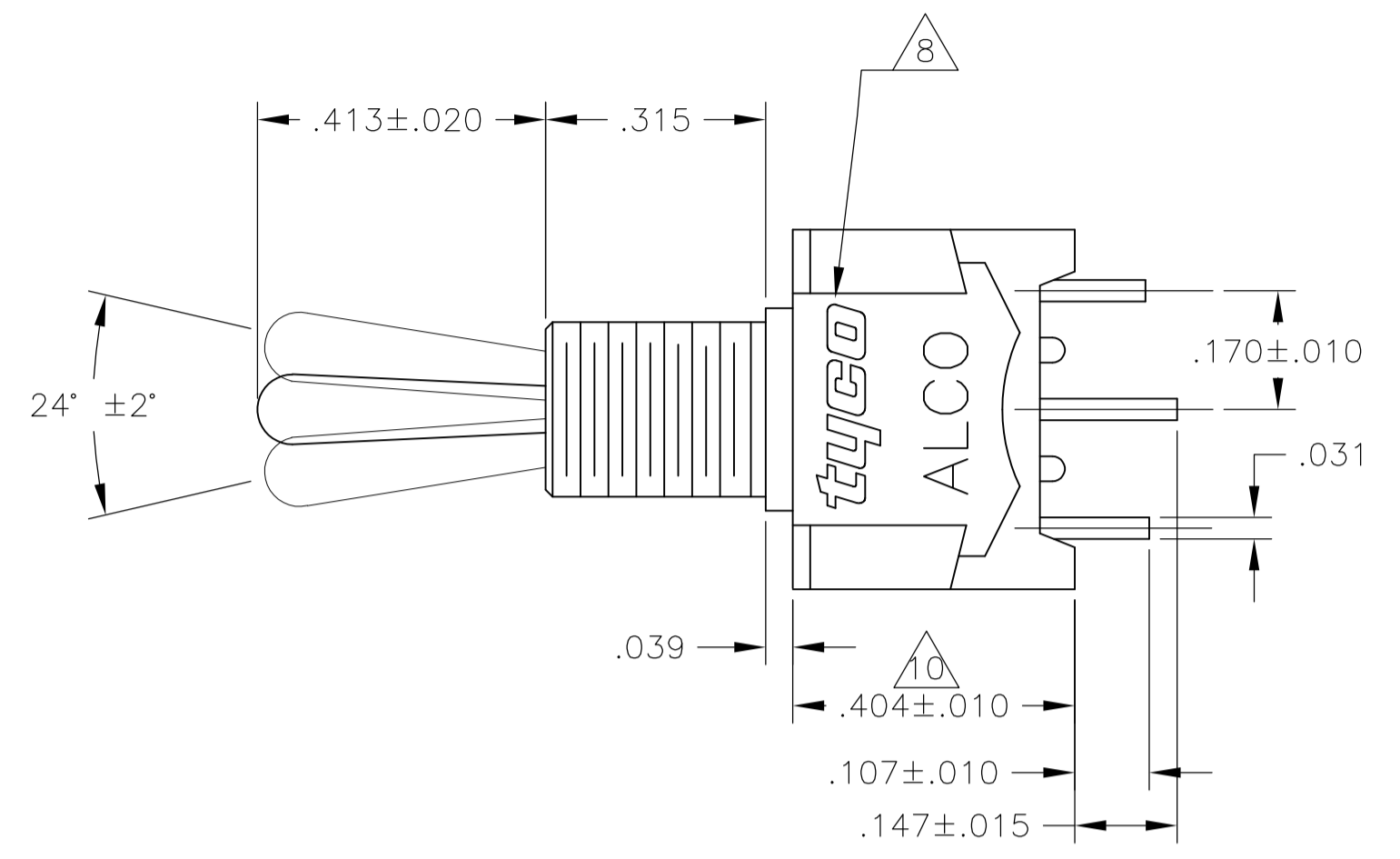
PART NUMBER	Alco P/N	Poles	Throws	Function	Terminal	Terminal Diagram 1	Terminal Diagram 2	Terminal Diagram 3	Comments
4-1571920-3	MTA406PPC04	4	2	ON OFF ON	PC	2-3, 5-6, 8-9, 11-12	OFF	2-1, 5-4, 8-7, 11-10	
4-1571920-2	MTA406PAPC04	2	3	ON ON ON	PC	5-6, 11-12	5-3, 11-9	5-1, 11-7	note 7
4-1571920-1	MTA406PA04	2	3	ON ON ON	Wire lug	5-6, 11-12	5-3, 11-9	5-1, 11-7	note 7
4-1571920-0	MTA406P04	4	2	ON OFF ON	Wire lug	2-3, 5-6, 8-9, 11-12	OFF	2-1, 5-4, 8-7, 11-10	
3-1571920-9	MTA406NPC04	4	2	ON ON	PC	2-3, 5-6, 8-9, 11-12	---	2-1, 5-4, 8-7, 11-10	
3-1571920-8	MTA406N04	4	2	ON ON	Wire lug	2-3, 5-6, 8-9, 11-12	---	2-1, 5-4, 8-7, 11-10	
3-1571920-7	MTA306HPC04	3	2	ON OFF(ON)	PC	2-3, 5-6, 8-9	OFF	2-1, 5-4, 8-7	
3-1571920-6	MTA306H04	3	2	ON OFF(ON)	Wire lug	2-3, 5-6, 8-9	OFF	2-1, 5-4, 8-7	
3-1571920-5	MTA306FPC04	3	2	ON (ON)	PC	2-3, 5-6, 8-9	---	2-1, 5-4, 8-7	
3-1571920-4	MTA306F04	3	2	ON (ON)	Wire lug	2-3, 5-6, 8-9	---	2-1, 5-4, 8-7	
3-1571920-3	MTA306EPC04	3	2	ON OFF ON	PC	2-3, 5-6, 8-9	OFF	2-1, 5-4, 8-7	
3-1571920-2	MTA306E04	3	2	ON OFF ON	Wire lug	2-3, 5-6, 8-9	OFF	2-1, 5-4, 8-7	
3-1571920-1	MTA306DPC04	3	2	ON ON	PC	2-3, 5-6, 8-9	---	2-1, 5-4, 8-7	
3-1571920-0	MTA306D04	3	2	ON ON	Wire lug	2-3, 5-6, 8-9	---	2-1, 5-4, 8-7	
2-1571920-9	MTA206TPC04	2	2	ON OFF(ON)	PC	2-3, 5-6	OFF	2-1, 5-4	
2-1571920-8	MTA206TA04	1	3	ON ON (ON)	Wire lug	5-6	5-3	5-1	note 6
2-1571920-7	MTA206T04	2	2	ON OFF(ON)	Wire lug	2-3, 5-6	OFF	2-1, 5-4	
2-1571920-6	MTA206SPC04	2	2	(ON) OFF (ON)	PC	2-3, 5-6	OFF	2-1, 5-4	
2-1571920-5	MTA206SA04	1	3	(ON) ON (ON)	PC	5-6	5-3	5-1	note 6
2-1571920-4	MTA206SA04	1	3	(ON) ON (ON)	Wire lug	5-6	5-3	5-1	note 6
2-1571920-3	MTA206S04	2	2	(ON) OFF (ON)	Wire lug	2-3, 5-6	OFF	2-1, 5-4	
2-1571920-2	MTA206RPC04	2	2	ON (ON)	PC	2-3, 5-6	---	2-1, 5-4	
2-1571920-1	MTA206R04	2	2	ON (ON)	Wire lug	2-3, 5-6	---	2-1, 5-4	
2-1571920-0	MTA206PPC04	2	2	ON OFF ON	PC	2-3, 5-6	OFF	2-1, 5-4	
1-1571920-9	MTA206PAPC04	1	3	ON ON ON	PC	5-6	5-3	5-1	note 6
1-1571920-8	MTA206PA04	1	3	ON ON ON	Wire lug	5-6	5-3	5-1	note 6
1-1571920-7	MTA206P04	2	2	ON OFF ON	Wire lug	2-3, 5-6	OFF	2-1, 5-4	
1-1571920-6	MTA206NPC04	2	2	ON ON	PC	2-3, 5-6	---	2-1, 5-4	
1-1571920-5	MTA206N04	2	2	ON ON	Wire lug	2-3, 5-6	---	2-1, 5-4	
OBSOLETE	1-1571920-4	MTA206KPC04	2	1	ON OFF	PC	2-3, 5-6	---	OFF
OBSOLETE	1-1571920-3	MTA206K04	2	1	ON OFF	Wire lug	2-3, 5-6	---	OFF
1-1571920-2	MTA106HPC04	1	2	ON OFF(ON)	PC	2-3	OFF	2-1	
1-1571920-1	MTA106H04	1	2	ON OFF(ON)	Wire lug	2-3	OFF	2-1	
1-1571920-0	MTA106GPC04	1	2	(ON) OFF (ON)	PC	2-3	OFF	2-1	
1571920-9	MTA106G04	1	2	(ON) OFF (ON)	Wire lug	2-3	OFF	2-1	
1571920-8	MTA106FPC04	1	2	ON (ON)	PC	2-3	---	2-1	
1571920-7	MTA106F04	1	2	ON (ON)	Wire lug	2-3	---	2-1	
1571920-6	MTA106EPC04	1	2	ON OFF ON	PC	2-3	OFF	2-1	
1571920-5	MTA106E04	1	2	ON OFF ON	Wire lug	2-3	OFF	2-1	
1571920-4	MTA106DPC04	1	2	ON ON	PC	2-3	---	2-1	
1571920-3	MTA106D04	1	2	ON ON	Wire lug	2-3	---	2-1	
OBSOLETE	1571920-2	MTA106APC04	1	1	ON OFF	PC	2-3	---	OFF
OBSOLETE	1571920-1	MTA106A04	1	1	ON OFF	Wire lug	2-3	---	OFF

THIS DRAWING IS A CONTROLLED DOCUMENT. DIMENSIONS: INCHES. TOLERANCES UNLESS OTHERWISE SPECIFIED: 0.1 PLC ± .01, 1.0 PLC ± .01, 2.0 PLC ± .01, 3.0 PLC ± .01, 4.0 PLC ± .01, ANGLES ± .1.

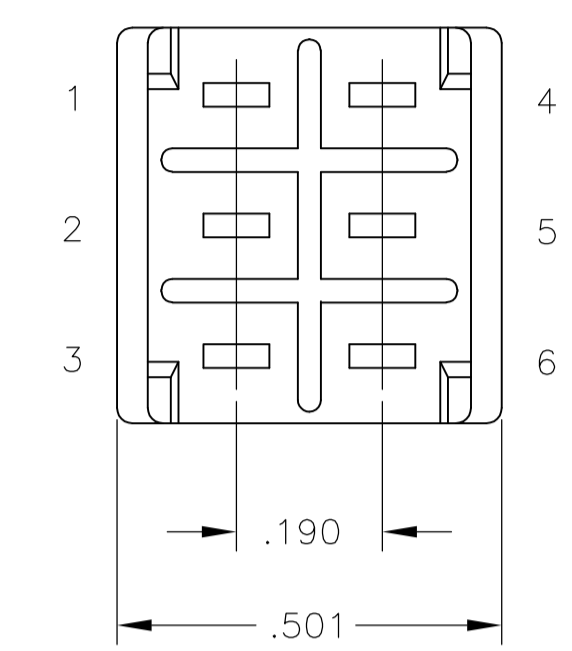
APPROVED: M. ZITTO, 29DEC03. NAME: ALCO SWITCH GREEN SERIES TOGGLE SWITCH MTA VERTICAL MOUNT. APPLICATION SPEC: ---. SIZE: A1. WEIGHT: ---. SCALE: 4:1. SHEET: 1 OF 3. REV: A3.

STE TE Connectivity

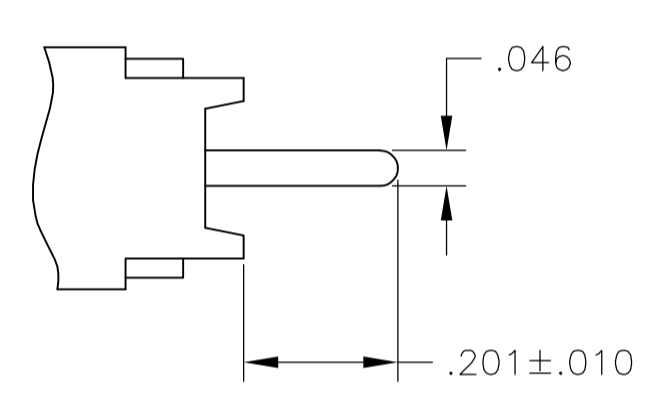
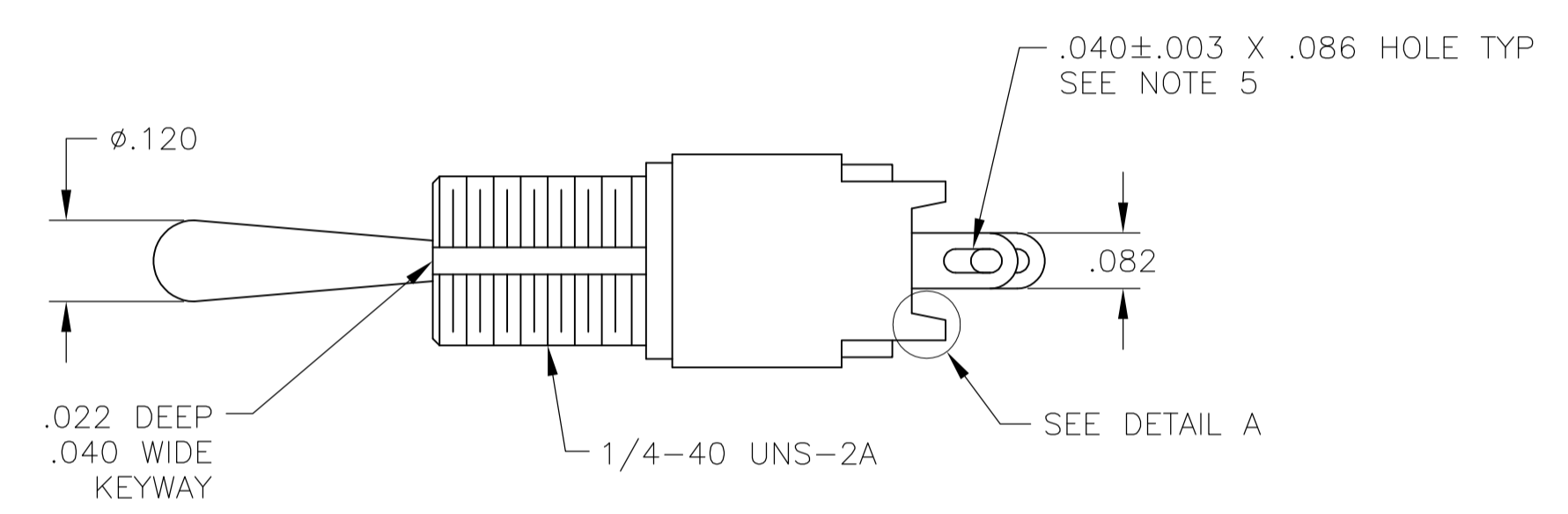
LOC		DIST		REVISIONS				
P	LTR	DATE	DNW	APVD	DESCRIPTION	DATE	DNW	APVD
-	-	-	-	-	SEE SHEET 1	-	-	-



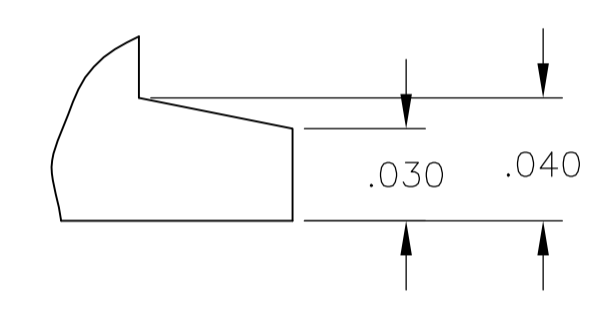
MTA106



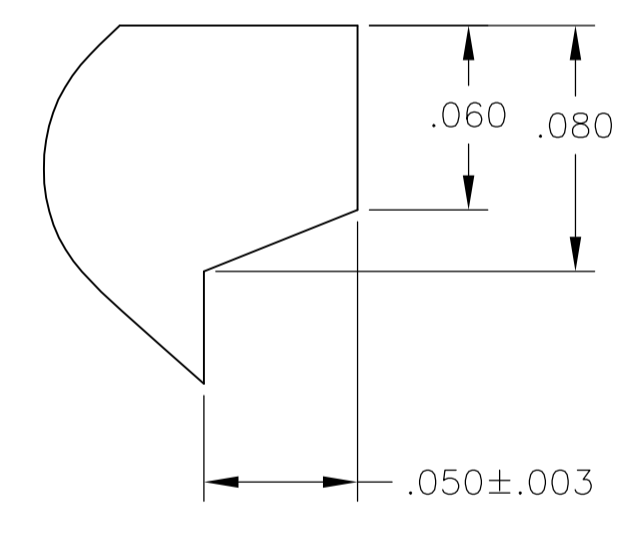
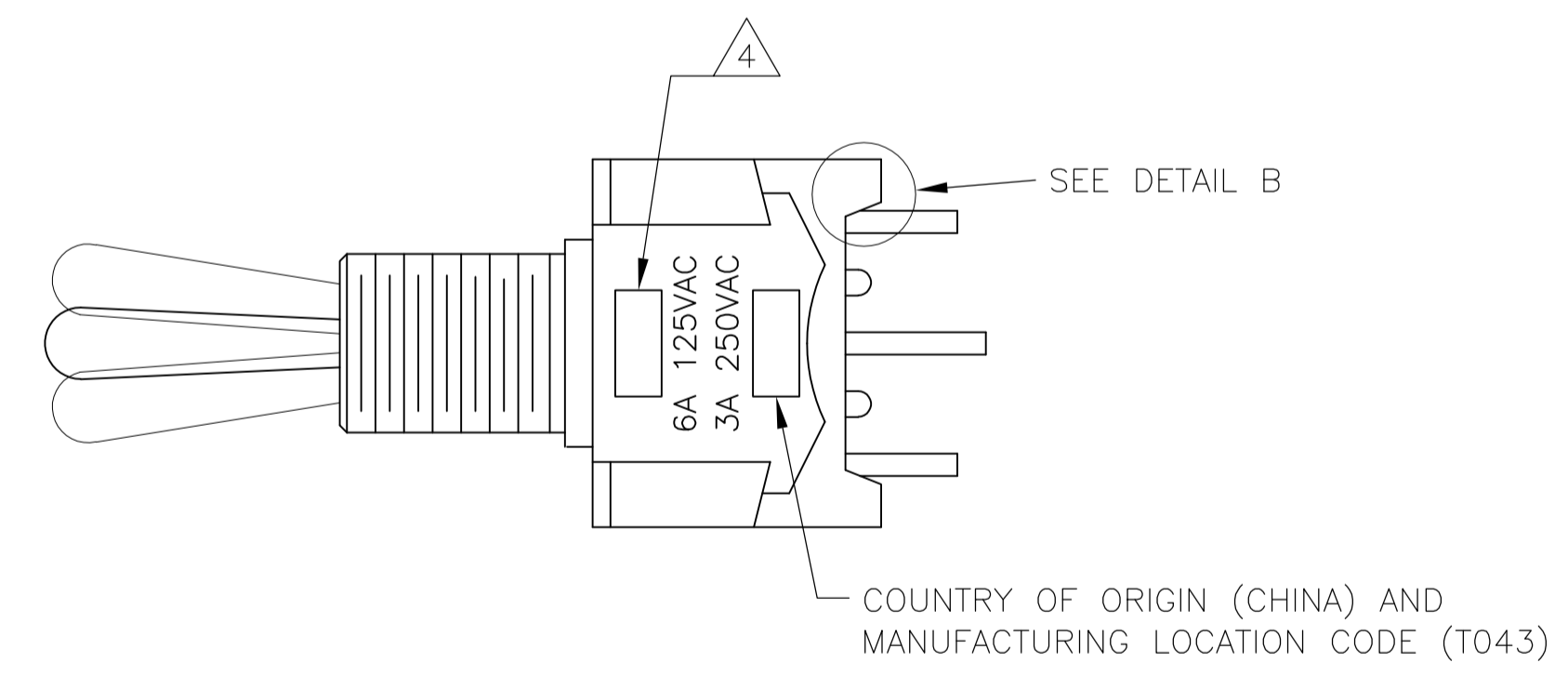
MTA206



PC TERMINAL



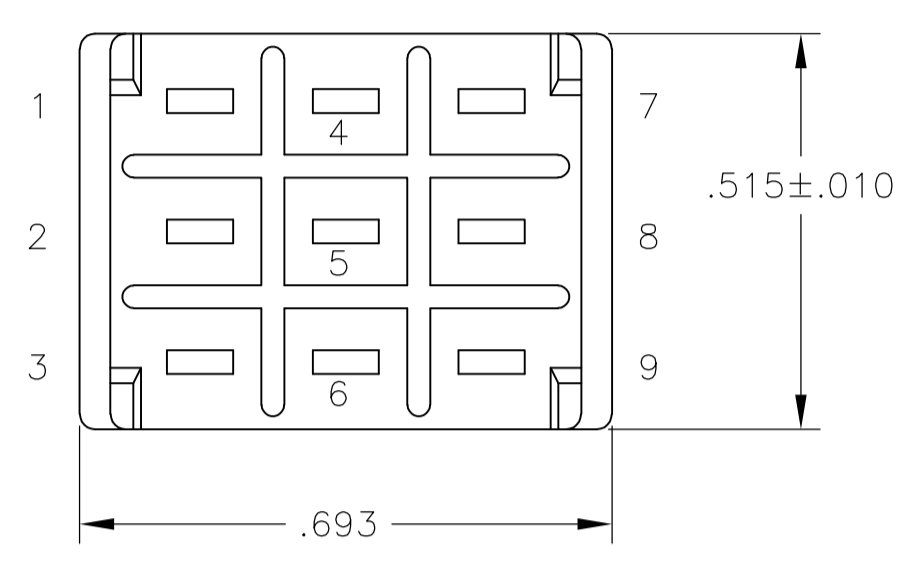
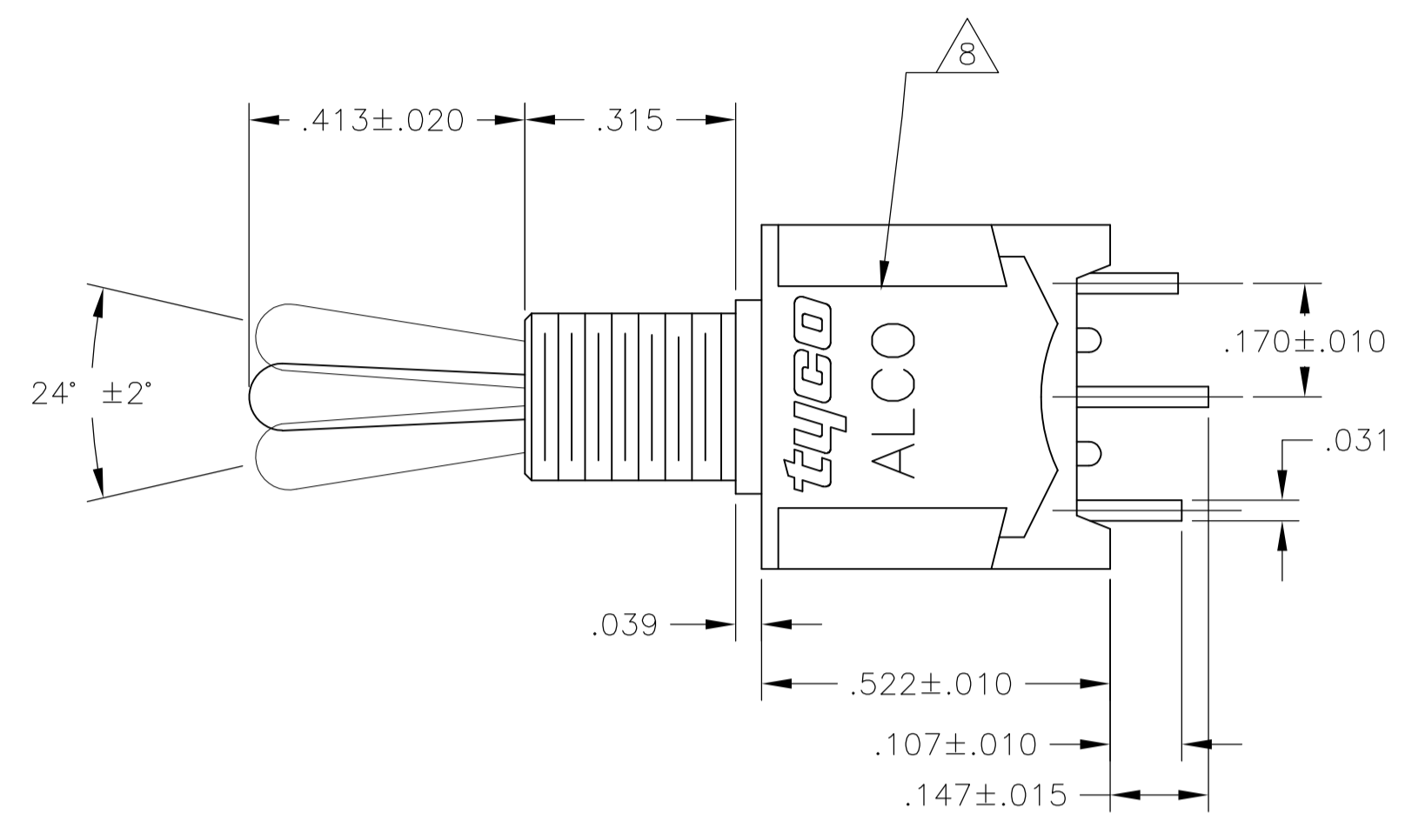
DETAIL A
SCALE 16:1



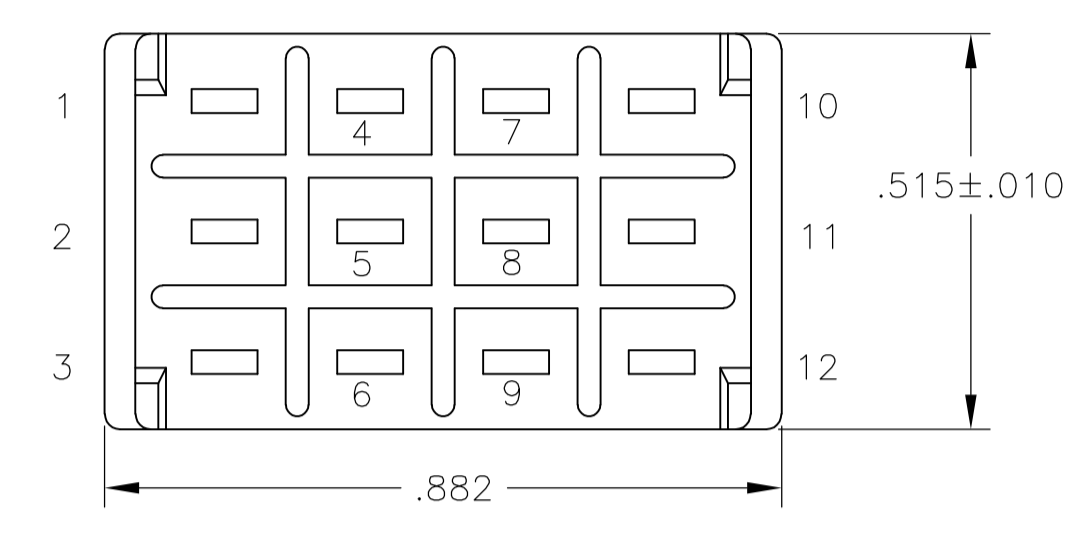
DETAIL B
SCALE 16:1

WIRE LUG TERMINAL

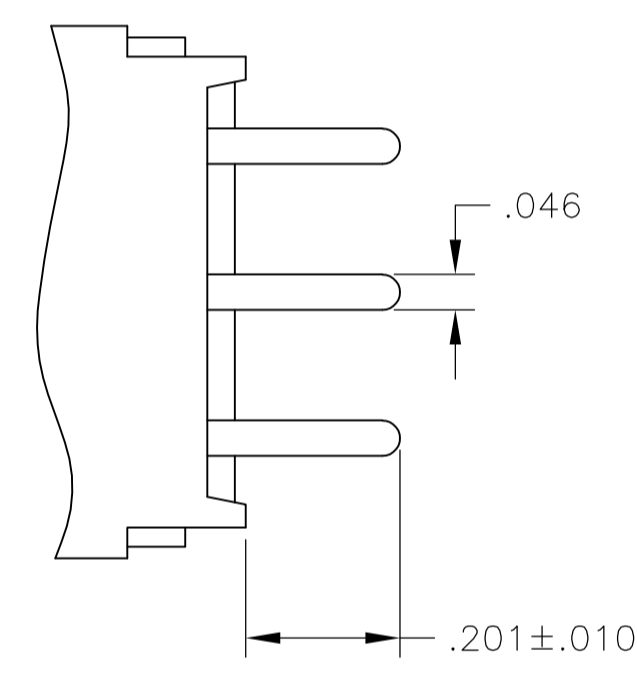
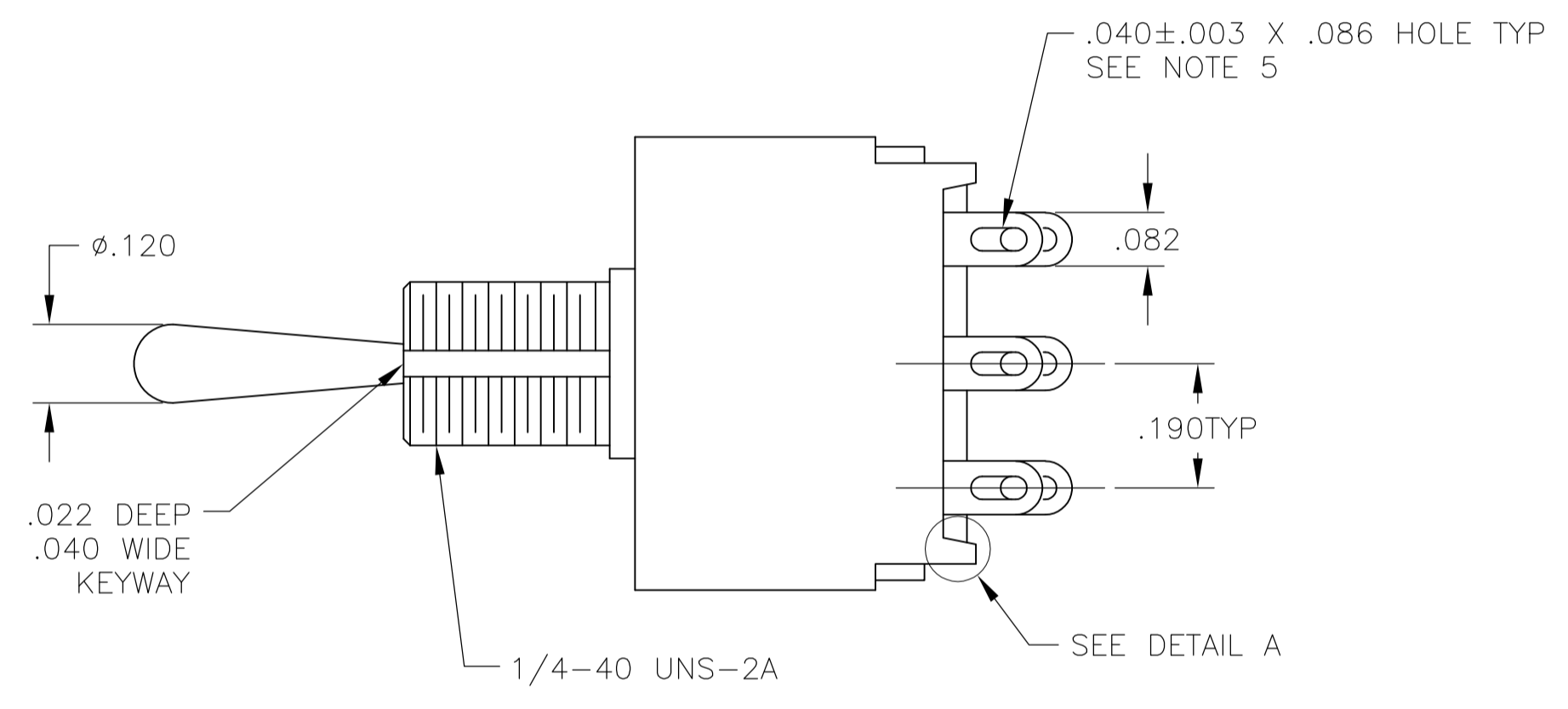
THIS DRAWING IS A CONTROLLED DOCUMENT.		DIN BSV 02DEC2005	TE Connectivity
DIMENSIONS: INCHES		APVD M. ZITTO 29DEC03	
TOLERANCES UNLESS OTHERWISE SPECIFIED:		NAME ALCOSWITCH GREEN SERIES TOGGLE SWITCH MTA VERTICAL MOUNT	
0 PLC ± -	1 PLC ± -	PRODUCT SPEC	
2 PLC ± -	3 PLC ± .005	APPLICATION SPEC	
4 PLC ± -	ANGLES ± 1	SIZE A1	
MATERIAL -	FINISH -	WEIGHT -	RESTRICTED TO
CUSTOMER DRAWING		SCALE 4:1	SHEET 2 OF 3
		DRAWING NO. 1571920	REV A3



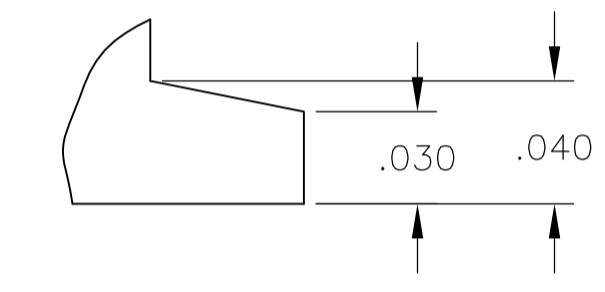
MTA306



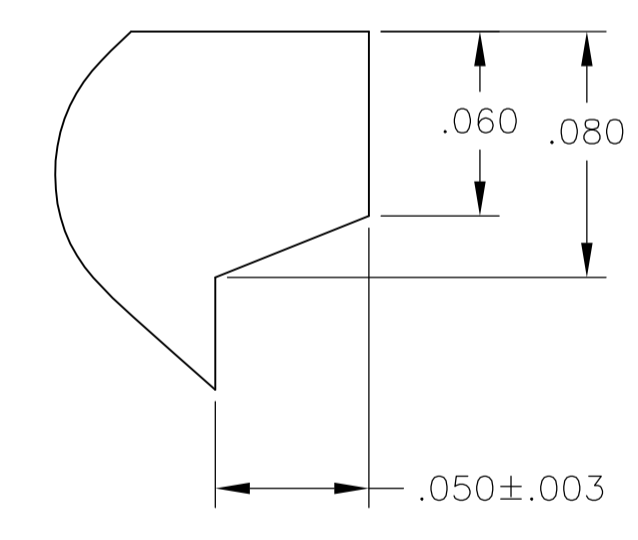
MTA406



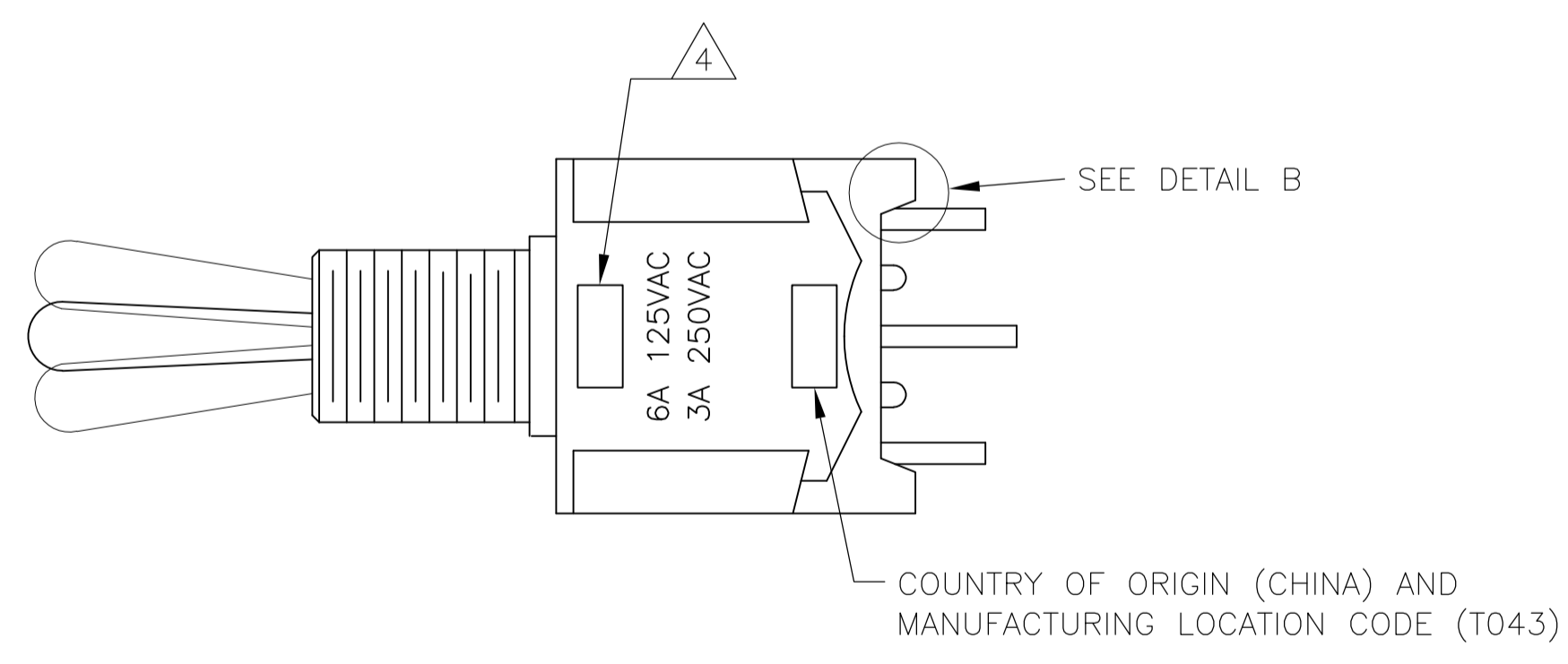
PC TERMINAL



DETAIL A
SCALE 16:1



DETAIL B
SCALE 16:1



WIRE LUG TERMINAL

THIS DRAWING IS A CONTROLLED DOCUMENT.		DIN	BSV	02DEC2005			
DIMENSIONS: INCHES		TOLERANCES UNLESS OTHERWISE SPECIFIED:	OTHERWISE SPECIFIED:	APVD			
		0 PLC	±	-	NAME		
		1 PLC	±	-	ALCOSWITCH GREEN SERIES TOGGLE SWITCH		
		2 PLC	±	-	MTA VERTICAL MOUNT		
		3 PLC	±	.005	PRODUCT SPEC		
		4 PLC	±	.005	APPLICATION SPEC		
		ANGLES	±	1	SIZE		
MATERIAL		FINISH		WEIGHT		RESTRICTED TO	
				A1 00779		C=1571920	
				CUSTOMER DRAWING		SCALE 4:1 SHEET 3 OF 3 REV A3	

X-ON Electronics

Largest Supplier of Electrical and Electronic Components

Click to view similar products for [Toggle Switches](#) category:

Click to view products by [TE Connectivity](#) manufacturer:

Other Similar products are found below :

[A19HV](#) [8A1-C-222](#) [60012L](#) [6006L](#) [6663](#) [7101MD9V30GE](#) [7101SPDV30BE](#) [7103SDV30BE](#) [7105D](#) [7108P3YAV2BE](#) [71YY50282](#)
[7201MD9AVBE](#) [7301K38](#) [7306K36](#) [7310K36](#) [7314K36](#) [7506K4](#) [7592K6](#) [7691K14](#) [7700K1](#) [8396K108](#) [8824K14](#) [8828K13](#) [G2VX](#) [G3VX](#)
[PS83-121G](#) [A101MD9AB04](#) [A101SD9AB04](#) [A101SDCQ04](#) [A103SD9AQ04](#) [A107TZB04](#) [A123P32YZQ](#) [A123S1YZG](#) [A127S1YCQ](#) [1-](#)
[1825192-0](#) [A131S1YZQ](#) [A201SCWZB04](#) [A207SYCB04](#) [A208J61ZQ0004](#) [A221K12KAG](#) [A221S1YZQ](#) [A221T1TCQ](#) [A232K12KZQ](#)
[A232M1YCQ](#) [A323S1CWZQ](#) [A423S1CWZG-M8](#) [A423S1YZQ](#) [12149A-3V](#) [12156AX408](#) [12147AGKX679](#)