

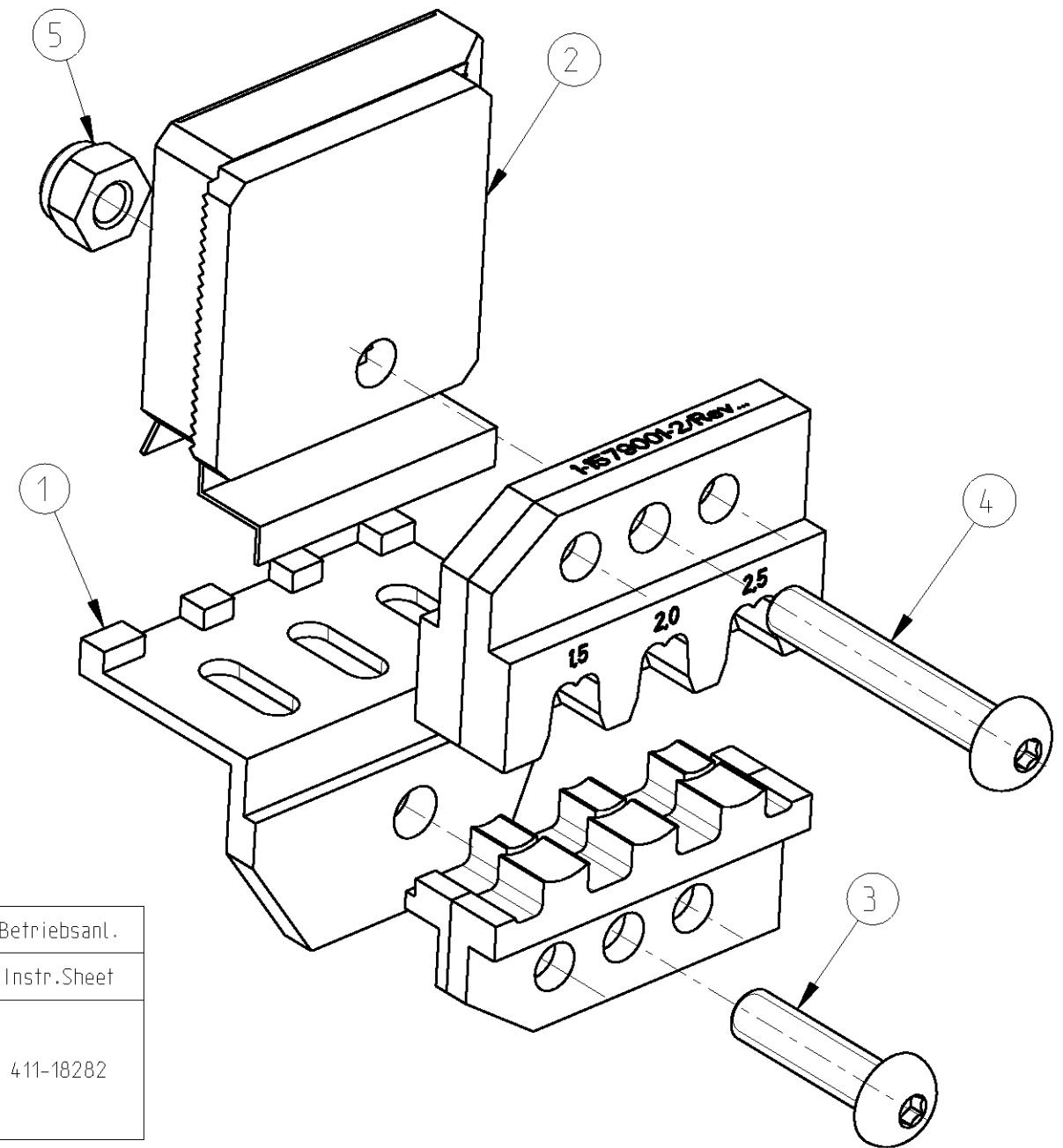
THIS DRAWING IS UNPUBLISHED. RELEASED FOR PUBLICATION 2008
 © COPYRIGHT 2008 BY TYCO ELECTRONICS CORPORATION. ALL RIGHTS RESERVED.

LOC	DIST	REVISIONS			
P	LTR	DESCRIPTION	DATE	DWN	APVD
AI	-				

ERGOCRIMP DIE SET FOR FASTIN FASTON 9,5 mm WIRE RANGE 1,5-2,5 mm²

Matrize in Kombination mit Ergocrimp Basishandzange TE P/N 539635-1 verwenden
 Use die set in combination with Ergocrimp basis hand tool TE P/N 539635-1

Matrize im Karton mit Bedienungsanleitung 411-18282 verpackt
 Die set packed in a cardboard with instruction sheet 411-18282



1-1579001-2	1	7-0744010-9	Instruction Sheet	Bedienungsanleitung	7
	1	0-0519021-8	Nut M4 DIN 934	Mutter M4 DIN 934	6
	1	0-0519024-2	Nut M4 DIN 985	Mutter M4 DIN 985	5
	1	1-0519151-3	Screw M4x25	Schraube M4x25	4
	1	1-0519151-1	Screw M4x16	Schraube M4x16	3
	1	8-1579005-7	Locator Assembly	Drahtanschlag	2
	1	4-1579005-2	Contact Locator	Kontaktpositionierer	1
	QTY Stck	TE P/N	Description	Benennung	Pos.

Kontakt	DGB (mm ²)	Drahtcrimp / Wire Crimp		Isolationscrimp/Insulationcrimp		Isol.Ø	Betriebsanl.
Contact	Wire Range	Hoehe/Height mm	Breite/Width mm	Hoehe/Height mm	Breite/Width mm	Ins.Range	Instr.Sheet
963827	1,5	1,92 ±0,03	3,05 F	-----	4,58 F	2,4-3,7	411-18282
	2,0	2,05 ±0,03		-----			
	2,5	2,18 ±0,03		-----			

<small>THIS DRAWING IS A CONTROLLED DOCUMENT FOR TYCO ELECTRONICS CORPORATION IT IS SUBJECT TO CHANGE AND THE CONTROLLING ENGINEERING ORGANIZATION SHOULD BE CONTACTED FOR THE LATEST REVISION.</small>		DWN Ch.Witt	05AUG2008	tyco Electronics AMP GmbH D - 64625 Bensheim	
DIMENSIONS: mm 		CHK -	APVD -	NAME ERGOCRIMP DIE SET FOR FF 9,5 mm Ergocrimp Matrize fuer FF 9,5 mm	
TOLERANCES UNLESS OTHERWISE SPECIFIED: 0 PLC ± 1 PLC ± 2 PLC ± 3 PLC ± 4 PLC ± ANGLES ±1°		PRODUCT SPEC -	APPLICATION SPEC -	SIZE A3	CAGE CODE 00779
MATERIAL -		FINISH -	WEIGHT 200 g	DRAWING NO C=1-1579001-2	RESTRICTED TO -
CUSTOMER DRAWING			SCALE 2:1	SHEET 1	OF 1
					REV A

X-ON Electronics

Largest Supplier of Electrical and Electronic Components

Click to view similar products for [Punches & Dies](#) category:

Click to view products by [TE Connectivity](#) manufacturer:

Other Similar products are found below :

[58510-1](#) [63454-1601](#) [63457-0056](#) [63457-3401](#) [730-5/8](#) [730BB-1-3/8](#) [PV-670508-001](#) [1328](#) [1338](#) [13782656](#) [13782673](#) [13782686](#) [AR-24](#)
[1528-TL](#) [1583609-1](#) [1720](#) [1762951-1](#) [2063500-2](#) [19031-0168](#) [AR-20](#) [313336-3](#) [11-19-3122](#) [539663-1](#) [63446-2241](#) [TL-18](#) [0634451912](#)
[1762674-1](#) [63454-0123](#) [68240-1](#) [68247-1](#) [734252](#) [313183-1](#) [PA2029](#) [119174-001](#) [23846-1](#) [11-40-5342](#) [68010-2](#) [690370015](#) [730BB-1-1/8](#)
[730BB-1-1/16](#) [19032-0048](#) [63465-0023](#) [11-40-4438](#) [63457-0041](#) [2906252-01](#) [19032-0202](#) [11-11-0054](#) [11-11-0052](#) [19813-5041](#) [63863-2103](#)