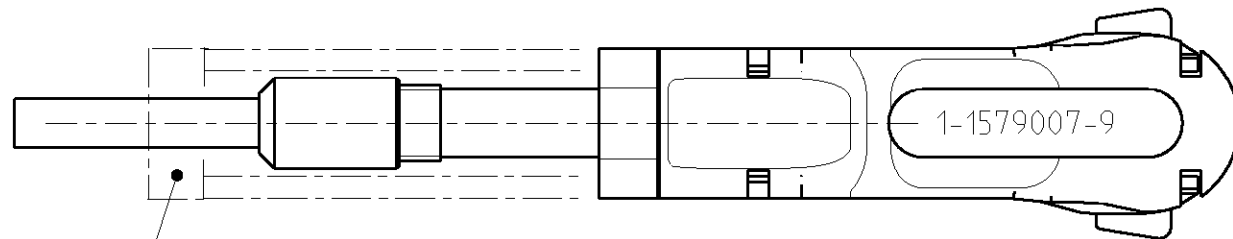
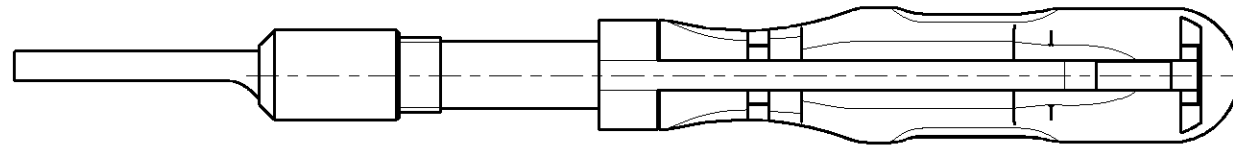
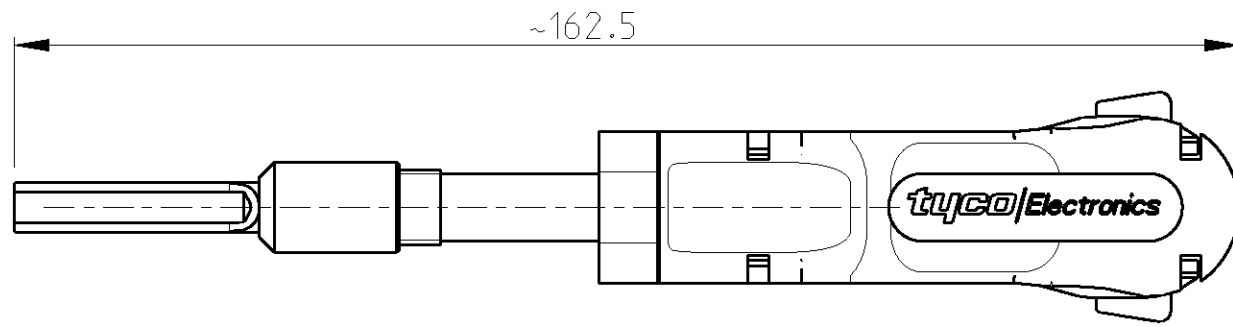
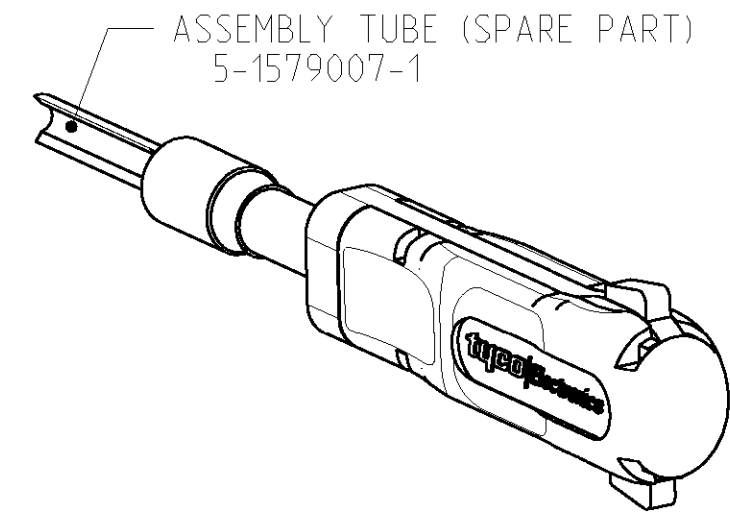


THIS DRAWING IS UNPUBLISHED. RELEASED FOR PUBLICATION 2003
 © COPYRIGHT 2003 BY TYCO ELECTRONICS CORPORATION. ALL RIGHTS RESERVED.

LOC	DIST	REVISIONS					
		P	LTR	DESCRIPTION	DATE	DWN	APVD
A1	-		A	EGCO-0137-03	16JAN2004	ZA	-
			A1	EGCO-0153-04	26MAY2004	ZA	-



COVER SLIDE
Schutzschieber



FOR CONTACTS : PIN / SOCKET \varnothing 4mm

(REPLACEMENT FOR TOOLS 518 096-1, 539 967-2, 658 012-1)

<small>THIS DRAWING IS A CONTROLLED DOCUMENT FOR TYCO ELECTRONICS CORPORATION IT IS SUBJECT TO CHANGE AND THE CONTROLLING ENGINEERING ORGANIZATION SHOULD BE CONTACTED FOR THE LATEST REVISION.</small>		DWN J. ZAJICEK 20JAN2004 CHK - APVD - PRODUCT SPEC - APPLICATION SPEC - WEIGHT -		tyco Electronics		tyco Electronics AMP GmbH D - 64625 Bensheim	
DIMENSIONS: mm 		TOLERANCES UNLESS OTHERWISE SPECIFIED: 0 PLC ± 1 PLC ± 2 PLC ± 3 PLC ± 4 PLC ± ANGLES ±1° MATERIAL . FINISH -		NAME ASSEMBLY TOOL Montagewerkzeug			
MATERIAL .		FINISH -		SIZE A3	CAGE CODE 00779	DRAWING NO C=1-1579007-9	RESTRICTED TO -
CUSTOMER DRAWING				SCALE 1:1	SHEET 1 OF 1	REV A1	

X-ON Electronics

Largest Supplier of Electrical and Electronic Components

Click to view similar products for [Extraction, Removal & Insertion Tools](#) category:

Click to view products by [TE Connectivity](#) manufacturer:

Other Similar products are found below :

[768211-2](#) [809-131](#) [8-59558-2](#) [91018-1](#) [1-21048-0](#) [R282867020](#) [1-21048-6](#) [1322](#) [RM-TP](#) [15350707](#) [15430130](#) [1579018-4](#) [1976593-3](#)
[OUTEXT-0321](#) [2-1579008-3](#) [2-1579008-4](#) [229694-7](#) [231106-1](#) [241469](#) [91040-7](#) [965004-000](#) [965069-000](#) [1738219-1](#) [ET-JL05-16](#) [FG 0300](#)
[146 3000](#) [FIT-6](#) [210S048](#) [2-1579007-9](#) [231879-1](#) [CF-008025-000](#) [312138-3](#) [313813-1](#) [RJ11FODE](#) [356-162](#) [M8196914-10](#) [483249-1](#) [5-](#)
[1579007-2](#) [5-1579007-9](#) [BPR10](#) [313806-1](#) [356-121](#) [JFD-7104-9](#) [38039-7-0SN](#) [CAT-RE-169-01](#) [DCF.92.090.3LT](#) [DF-SD1RE-MD](#) [51-943.9](#)
[0405-0337AS](#) [1055543-1](#) [10757872](#)