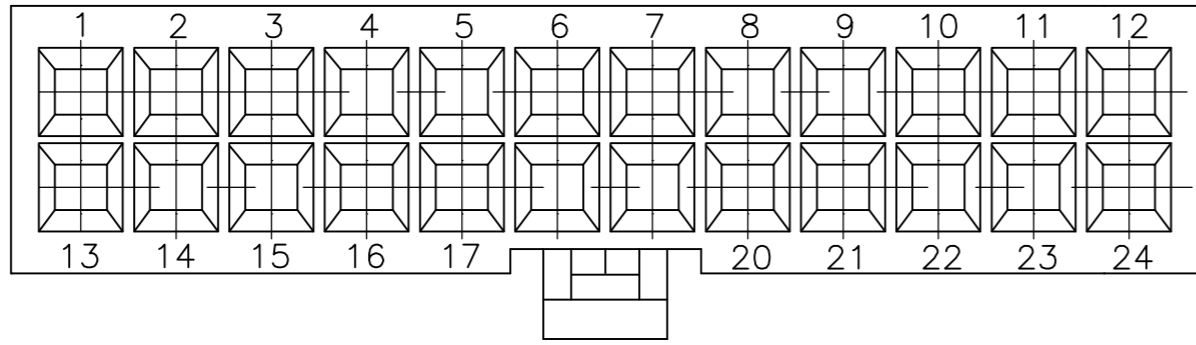
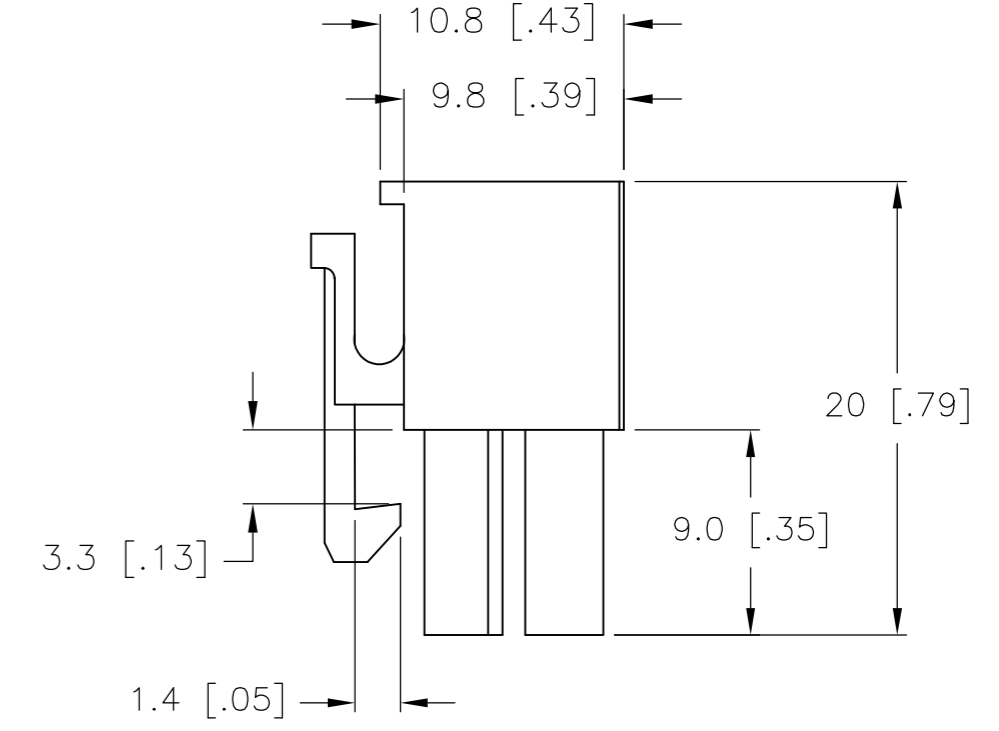
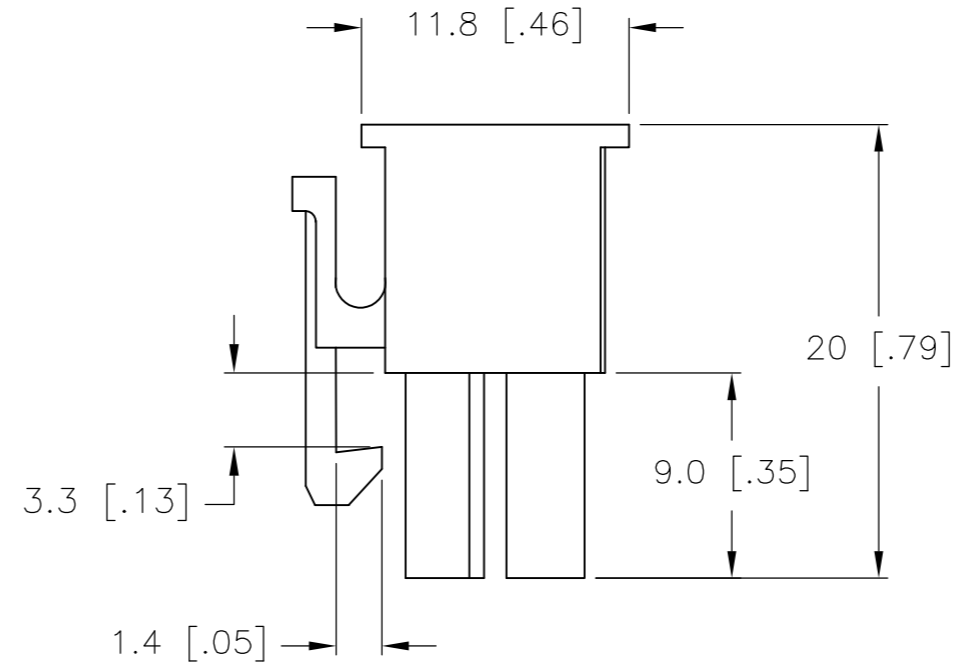
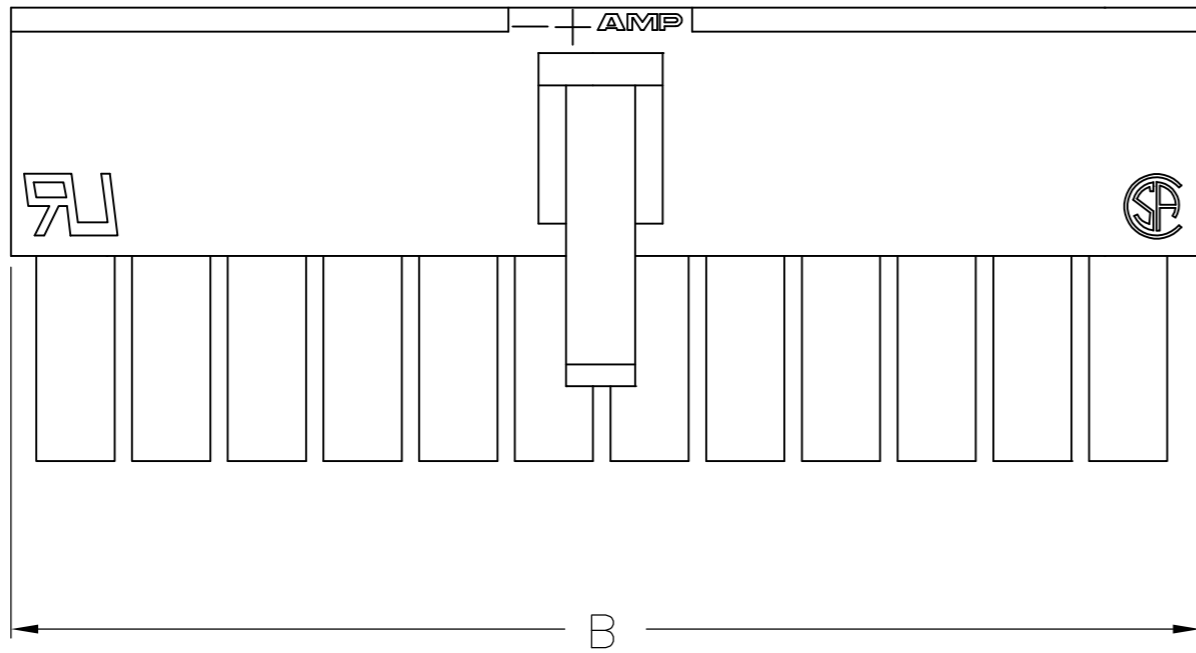


THIS DRAWING IS UNPUBLISHED. RELEASED FOR PUBLICATION
 © COPYRIGHT - By - ALL RIGHTS RESERVED.

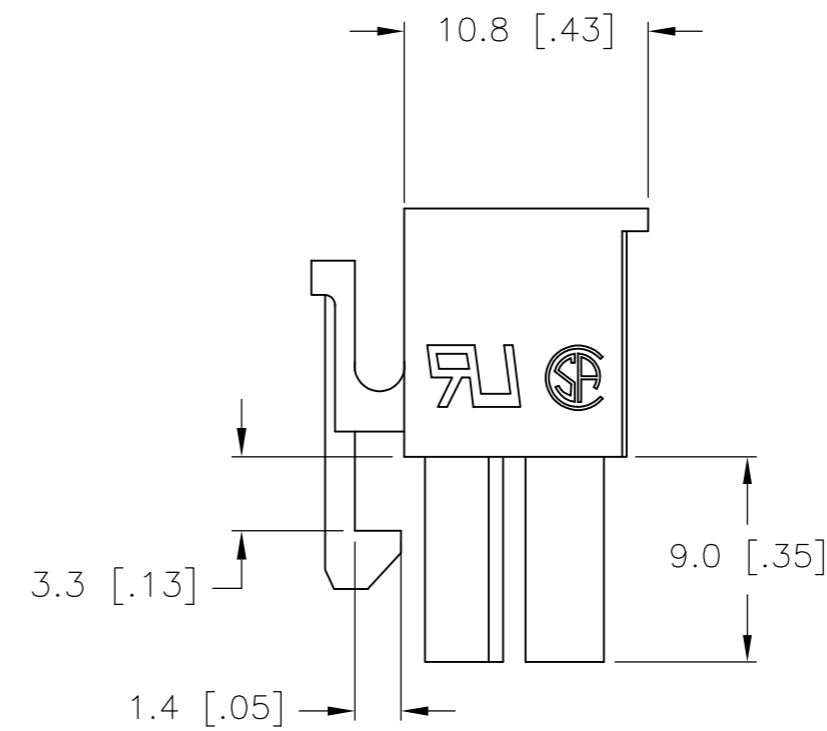
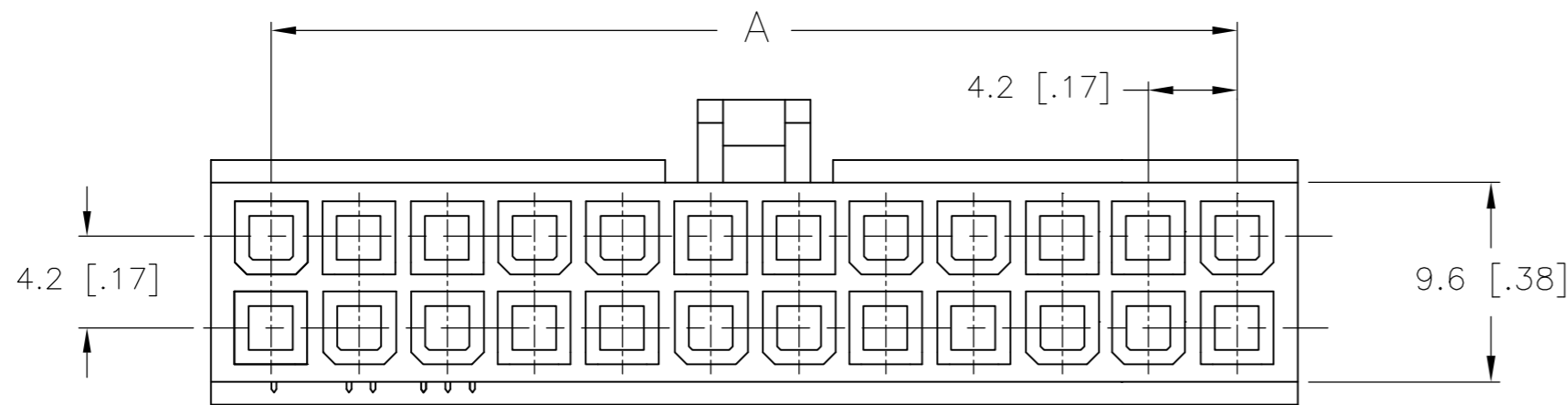
| LOC | | DIST | | REVISIONS | | | |
|-----|-----|-------------|---------------------------|-----------|-----------|------|----|
| P | LTR | DESCRIPTION | | DATE | DWN | APVD | |
| CM | 00 | C1 | REVISED PER ECR-15-018478 | | 07JAN2016 | NK | DC |



1 MATERIAL: NYLON, UL94V-0.



ONLY FOR 5-1586019-8



ONLY FOR 1586019-2

| | | | |
|-------|-------|------|-------------|
| 5.4 | - | 2 | 1586019-2 |
| 9.6 | 4.2 | 4 | 1586019-4 |
| 13.8 | 8.4 | 6 | 1586019-6 |
| 18.0 | 12.6 | 8 | 1586019-8 |
| 22.2 | 16.8 | 10 | 1-1586019-0 |
| 26.4 | 21.0 | 12 | 1-1586019-2 |
| 30.6 | 25.2 | 14 | 1-1586019-4 |
| 34.8 | 29.4 | 16 | 1-1586019-6 |
| 39.0 | 33.6 | 18 | 1-1586019-8 |
| 43.2 | 37.8 | 20 | 2-1586019-0 |
| 47.4 | 42.0 | 22 | 2-1586019-2 |
| 51.6 | 46.2 | 24 | 2-1586019-4 |
| 18.0 | 12.6 | 8 | 5-1586019-8 |
| DIM B | DIM A | POS. | PART NUMBER |

| | | | | | |
|----------------------------------------|--|----------------------------------------|-------------|--------------------|--------|
| THIS DRAWING IS A CONTROLLED DOCUMENT. | | DWN | 19-AUG-2002 | | |
| | | CHK | 19-AUG-2002 | | |
| | | APVD | 19-AUG-2002 | | |
| | | PRODUCT SPEC | | | |
| DIMENSIONS: mm [INCHES] | | TOLERANCES UNLESS OTHERWISE SPECIFIED: | | NAME | |
| 0 PLC ± | | 1 PLC ± 0.4 [.02] | | 108-2112 | |
| 2 PLC ± 0.25 [.010] | | 3 PLC ± 0.150 [.0059] | | APPLICATION SPEC | |
| 4 PLC ± | | ANGLES ± | | 114-13172 | |
| MATERIAL | | FINISH | | WEIGHT | |
| 1 | | | | A2 00779 C=1586019 | |
| CUSTOMER DRAWING | | | | SCALE | 3:1 |
| | | | | SHEET | 1 OF 1 |
| | | | | REV | C1 |

X-ON Electronics

Largest Supplier of Electrical and Electronic Components

Click to view similar products for [Headers & Wire Housings](#) category:

Click to view products by [TE Connectivity](#) manufacturer:

Other Similar products are found below :

[892-18-020-10-001101](#) [58102-G61-06LF](#) [582553-1](#) [0009485154](#) [009176003701906](#) [0050291907](#) [LY20-4P-DT1-P1E-BR](#) [02.125.8002.8](#)
[609-3404](#) [61062-3](#) [61082-181009](#) [622-3653LF](#) [63453-116](#) [636-1030](#) [636-1427](#) [636-3427](#) [636-4007](#) [641938-9](#) [641991-4](#) [644827-2](#) [65817-](#)
[010LF](#) [65817-015LF](#) [65863-015LF](#) [66207-023LF](#) [67095-007LF](#) [67601157](#) [68645-018](#) [68648-049](#) [70.362.1628.0](#) [70-4210](#) [70-4226B](#) [70-](#)
[4853B](#) [707-5020](#) [707-5028](#) [71.350.2428.0](#) [71918-208LF](#) [71961-016LF](#) [733-134](#) [733-162](#) [754199-000](#) [760-3052](#) [787-8014-00](#) [79531-3000](#)
[FCN-360C032-B](#) [FCN-367T-T012/H](#) [FCN-723D010/2](#) [80.063.4001.1](#) [800-90-001-10-001000](#) [800-90-010-10-002000](#) [801-43-002-10-013000](#)