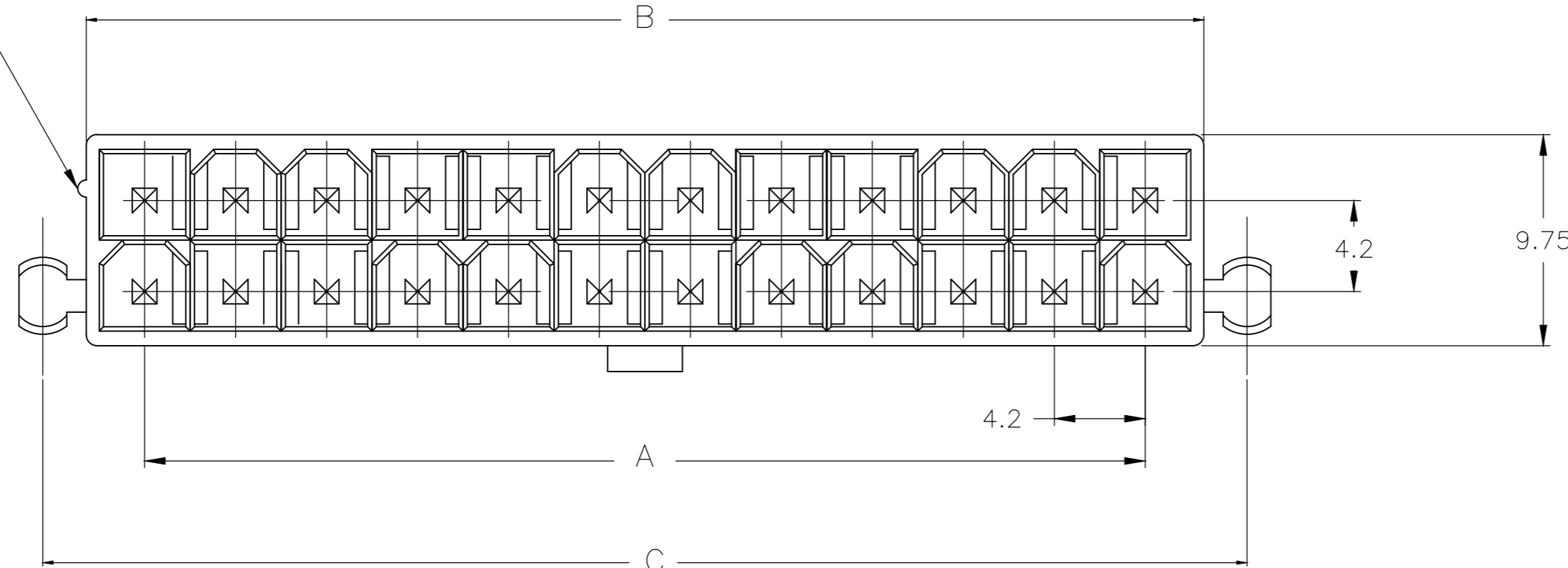
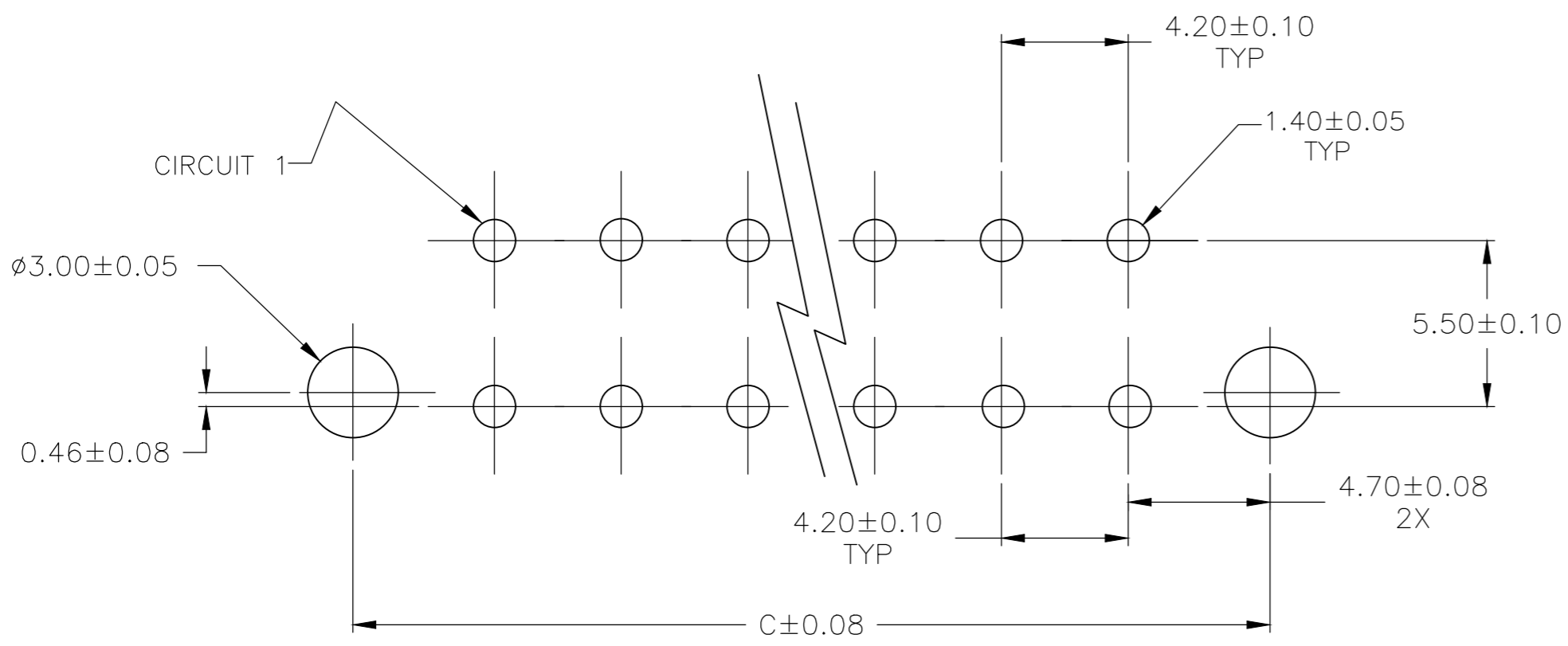
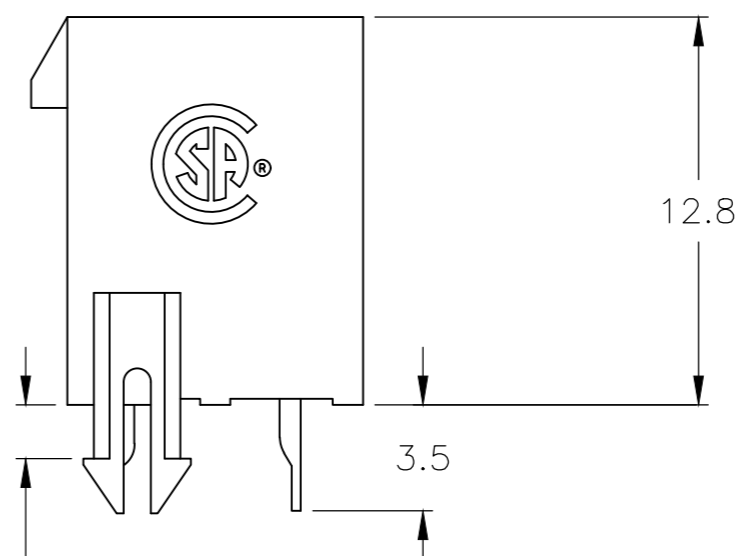
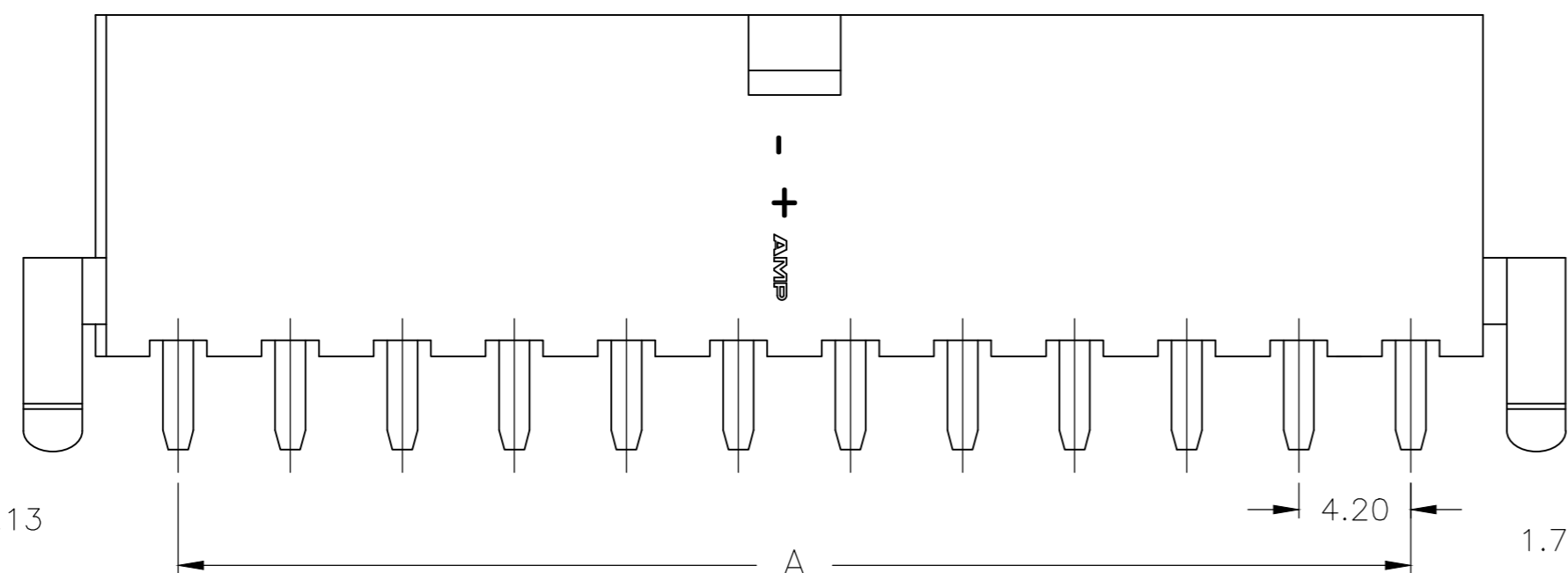
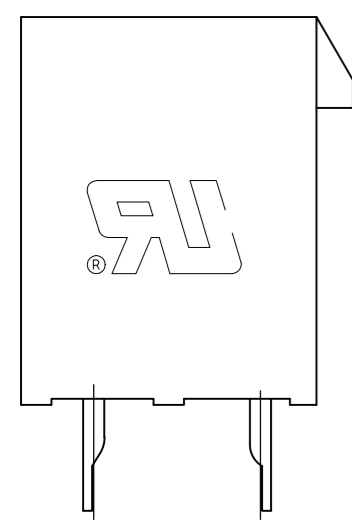


REVISIONS					
P	LTR	DESCRIPTION	DATE	DWN	APVD
B5		REVISED PER ECR-19-013240	06MAR2020	WH	DZ

POSITION 1 IDENTIFICATION FEATURE



- 1 MATERIAL: HOUSING-PA66, UL94V-2 (COLOR-NATURAL, COLOR OF PARTS MAY VARY) CONTACTS-0.25 [.010] THICK BRASS ALLOY.
- 2 CONTACT FINISH: 0.002032 [.000080] MIN BRIGHT TIN OVER 0.000762 [.000030] MIN NICKEL OVER ENTIRE CONTACT.
- 3 MATES WITH VAL-U-LOK(TM) RECEPTACLE HOUSINGS.



PCB LAYOUT: COMPONENT SIDE  
RECOMMENDED BOARD THICKNESS 1.78 MAX  
2-1586039-4 SHOWN

24	46.2±0.25	51.6	55.6	2-1586039-4
22	42.0±0.25	47.4	51.4	2-1586039-2
20	37.8±0.25	43.2	47.2	2-1586039-0
18	33.6±0.25	39.0	43.0	1-1586039-8
16	29.4±0.25	34.8	38.8	1-1586039-6
14	25.2±0.25	30.6	34.6	1-1586039-4
12	21.0±0.25	26.4	30.4	1-1586039-2
10	16.8±0.13	22.2	26.2	1-1586039-0
8	12.6±0.13	18.0	22.0	1586039-8
6	8.4±0.13	13.8	17.8	1586039-6
4	4.2±0.13	9.6	13.6	1586039-4
2		5.4	9.4	1586039-2
POS	A	B±0.25	C±0.38	PART NUMBER

THIS DRAWING IS A CONTROLLED DOCUMENT.		DWN S. HOOVER 25-SEP-2002	TE Connectivity	
DIMENSIONS: mm		CHK D. COLEY 25-SEP-2002		
TOLERANCES UNLESS OTHERWISE SPECIFIED:		APVD D. COLEY 25-SEP-2002	NAME	
0 PLC ±		PRODUCT SPEC 108-2112	VERTICAL HEADER WITH PEGS, WITH DRAIN HOLES VAL-U-LOK(TM)	
1 PLC ± 0.5		APPLICATION SPEC 114-13172	SIZE A2	CAGE CODE 00779
2 PLC ± 0.25		MATERIAL	DRAWING NO C=1586039	RESTRICTED TO
3 PLC ±		FINISH	SCALE N/A	SHEET 1 of 1
4 PLC ±			REV B5	
ANGLES ±				

## X-ON Electronics

Largest Supplier of Electrical and Electronic Components

*Click to view similar products for [Headers & Wire Housings](#) category:*

*Click to view products by [TE Connectivity](#) manufacturer:*

Other Similar products are found below :

[892-18-020-10-001101](#) [58102-G61-06LF](#) [582553-1](#) [0009485154](#) [009176003701906](#) [0050291907](#) [LY20-4P-DT1-P1E-BR](#) [02.125.8002.8](#)  
[609-3404](#) [61062-3](#) [61082-181009](#) [622-3653LF](#) [63453-116](#) [636-1030](#) [636-1427](#) [636-3427](#) [636-4007](#) [641938-9](#) [641991-4](#) [644827-2](#) [65817-010LF](#) [65817-015LF](#) [65863-015LF](#) [66207-023LF](#) [67095-007LF](#) [67601157](#) [68645-018](#) [68648-049](#) [70.362.1628.0](#) [70-4210](#) [70-4226B](#) [70-4853B](#) [707-5020](#) [707-5028](#) [71.350.2428.0](#) [71918-208LF](#) [71961-016LF](#) [733-134](#) [733-162](#) [754199-000](#) [760-3052](#) [787-8014-00](#) [79531-3000](#)  
[FCN-360C032-B](#) [FCN-367T-T012/H](#) [FCN-723D010/2](#) [80.063.4001.1](#) [800-90-001-10-001000](#) [800-90-010-10-002000](#) [801-43-002-10-013000](#)