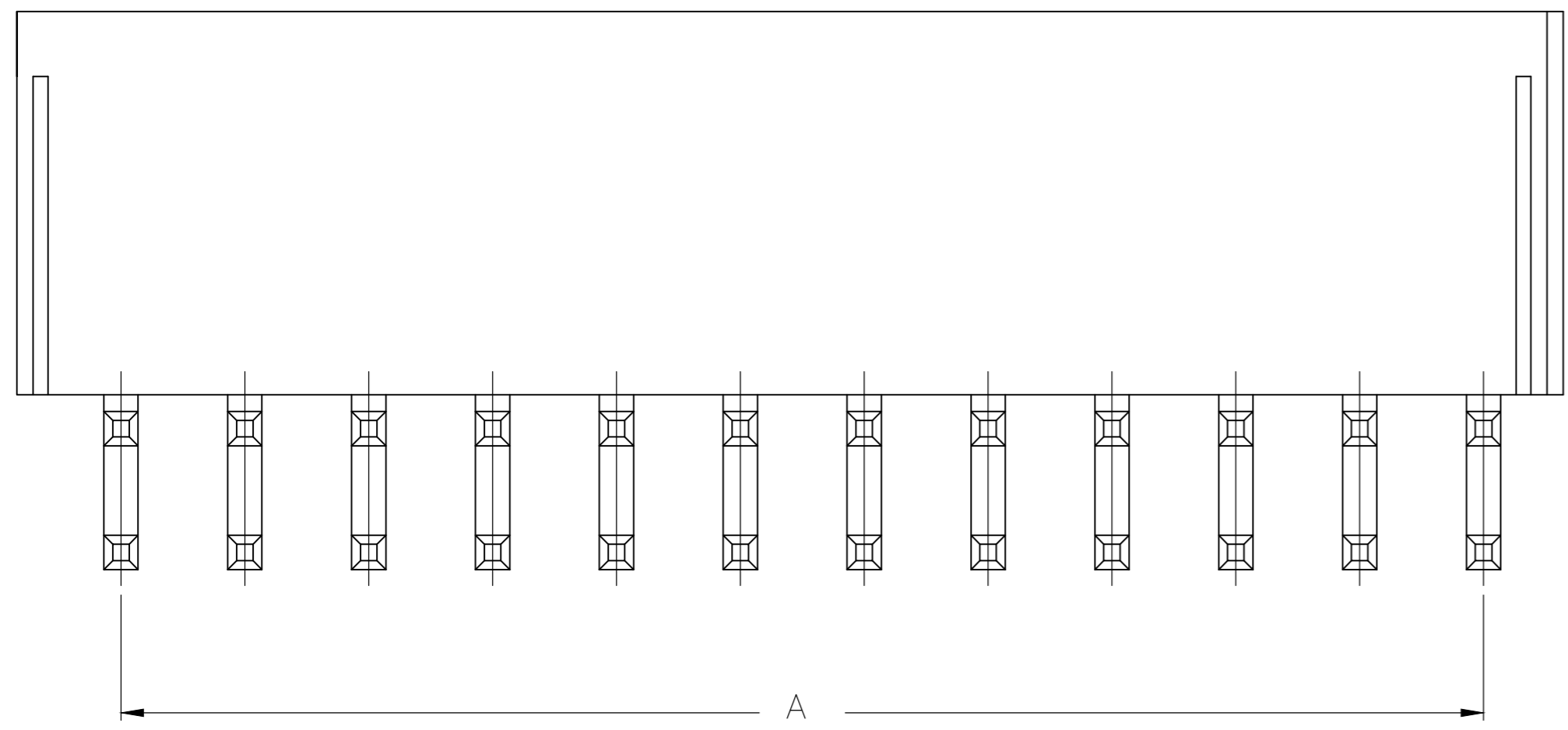
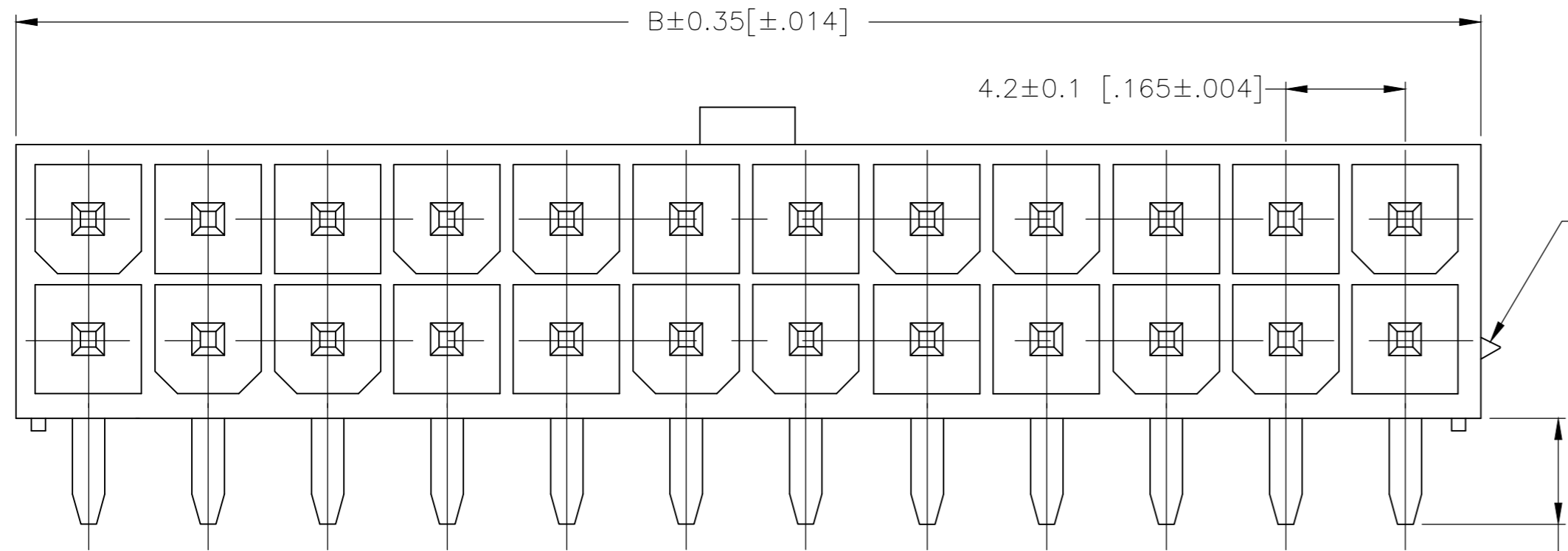


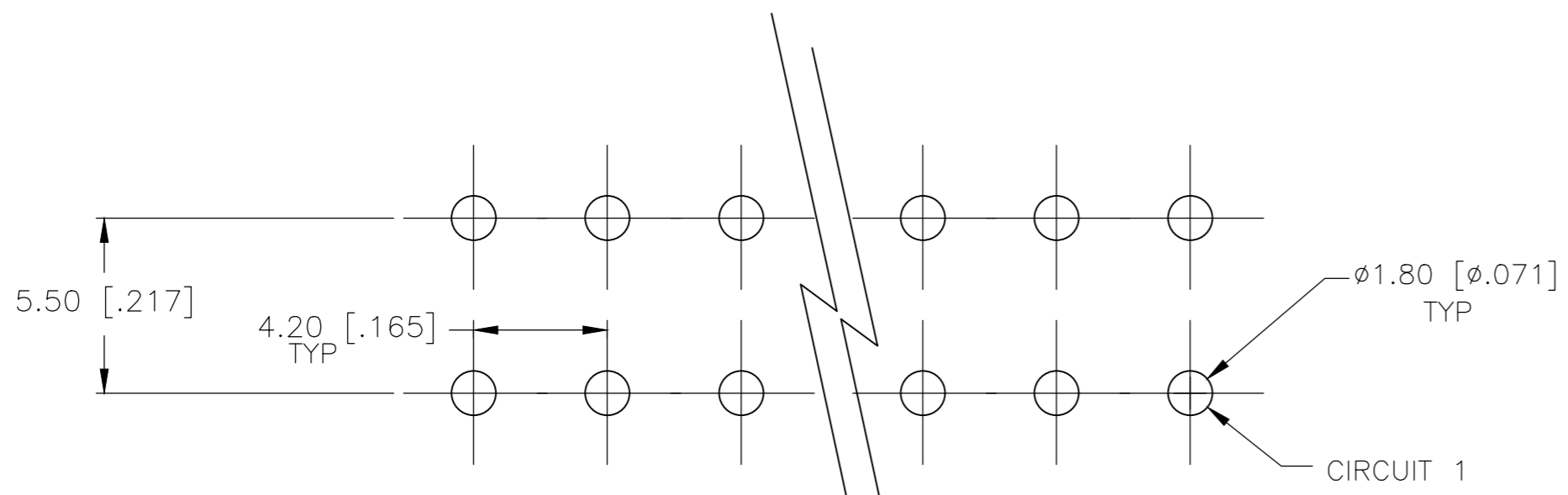
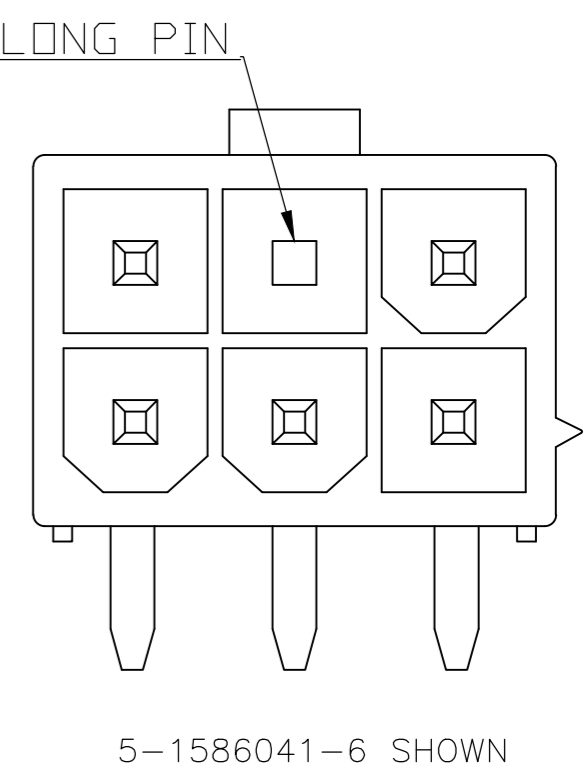
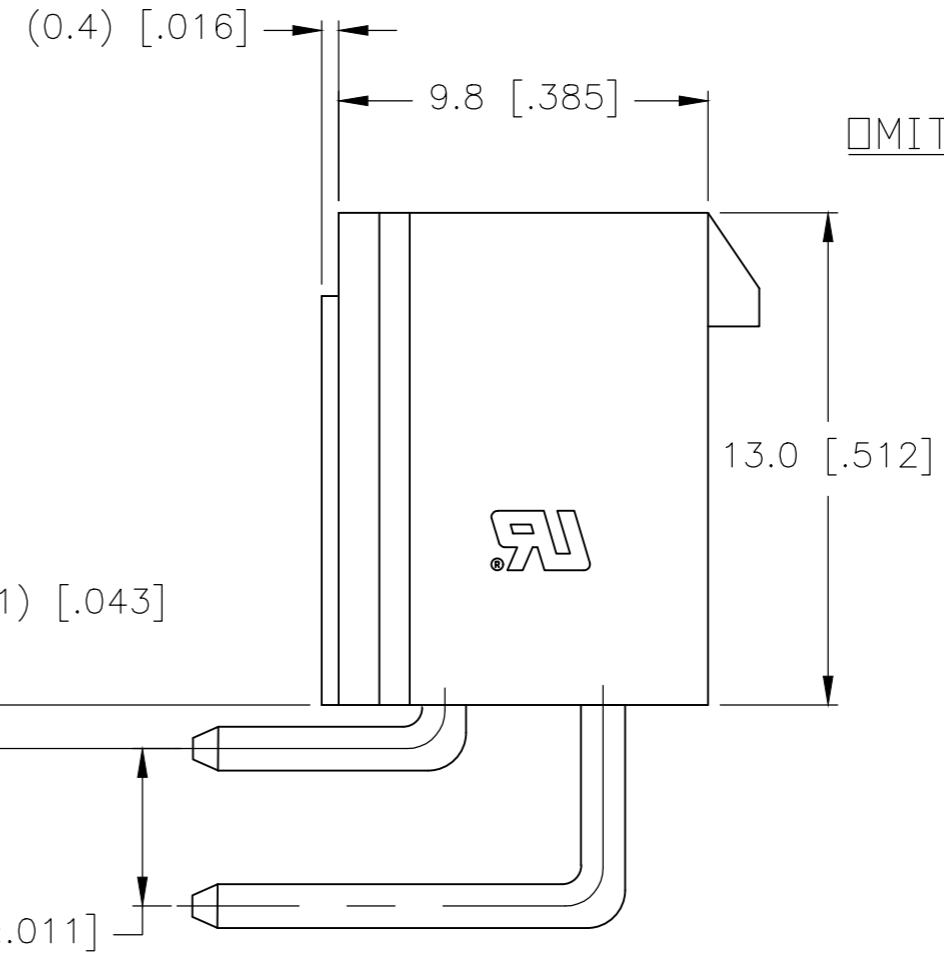
THIS DRAWING IS UNPUBLISHED. RELEASED FOR PUBLICATION  
 © COPYRIGHT - By - ALL RIGHTS RESERVED.

LOC		DIST		REVISIONS			
P	LTR	DESCRIPTION		DATE	DWN	APVD	
	B5	REVISED PER ECR-17-014820		25MAY2018	WH	DZ	



POSITION 1 IDENTIFICATION FEATURE

- 1 MATERIAL: HOUSING-NYLON, UL94V-2 (COLOR-NATURAL, COLOR OF PARTS MAY VARY) CONTACTS-1.14 [.045] SQUARE PIN, BRASS.
- 2 CONTACT FINISH: 0.002032 [.000080] MIN BRIGHT TIN OVER 0.000381 [.000015] MIN NICKEL OVER ENTIRE CONTACT.
- 3 MATES WITH VAL-U-LOK(TM) RECEPTACLE HOUSINGS. X-1586019-X(UL94-V0) X-1586765-X(UL94-V2,GLOW WIRE)
- 4 LONG CENTER PIN OMITTED.



PCB LAYOUT: COMPONENT SIDE  
 RECOMMENDED BOARD THICKNESS 1.60 [.063]

REMARKS	POS	A	B±0.35[±.01]	PART NUMBER
4	6	8.4±0.1 [.33±.004]	13.8 [.54]	5-1586041-6
	2		5.4 [.21]	1586041-2
	4	4.2±0.1 [.17±.004]	9.6 [.38]	1586041-4
	6	8.4±0.1 [.33±.004]	13.8 [.54]	1586041-6
	8	12.6±0.1 [.50±.004]	18.0 [.71]	1586041-8
	10	16.8±0.1 [.66±.004]	22.2 [.87]	1-1586041-0
	12	21.0±0.2 [.83±.008]	26.4 [1.04]	1-1586041-2
	14	25.2±0.2 [.99±.008]	30.6 [1.21]	1-1586041-4
	16	29.4±0.2 [1.16±.008]	34.8 [1.37]	1-1586041-6
	18	33.6±0.2 [1.32±.008]	39.0 [1.54]	1-1586041-8
	20	37.8±0.2 [1.49±.008]	43.2 [1.70]	2-1586041-0
	22	42.0±0.2 [1.65±.008]	47.4 [1.87]	2-1586041-2
	24	46.2±0.2 [1.82±.008]	51.6 [2.03]	2-1586041-4

2-1586041-4 SHOWN

THIS DRAWING IS A CONTROLLED DOCUMENT.

DWN S. HOOVER 18-SEP-2002		NAME	RIGHT ANGLE HEADER, WITHOUT PEGS VAL-U-LOK(TM)
CHK D. COLEY 18-SEP-2002		SIZE	A2
APVD D. COLEY 18-SEP-2002		CAGE CODE	00779
PRODUCT SPEC 108-2112		DRAWING NO	C=1586041
APPLICATION SPEC 114-13172	RESTRICTED TO	-	
MATERIAL 1	WEIGHT	0	
FINISH 2	CUSTOMER DRAWING	SCALE N/A	
		SHEET 1 of 1	
		REV B5	

## X-ON Electronics

Largest Supplier of Electrical and Electronic Components

*Click to view similar products for [Headers & Wire Housings](#) category:*

*Click to view products by [TE Connectivity](#) manufacturer:*

Other Similar products are found below :

[892-18-020-10-001101](#) [58102-G61-06LF](#) [582553-1](#) [0009485154](#) [009176003701906](#) [0050291907](#) [LY20-4P-DT1-P1E-BR](#) [02.125.8002.8](#)  
[609-3404](#) [61062-3](#) [61082-181009](#) [622-3653LF](#) [63453-116](#) [636-1030](#) [636-1427](#) [636-3427](#) [636-4007](#) [641938-9](#) [641991-4](#) [644827-2](#) [65817-](#)  
[010LF](#) [65817-015LF](#) [65863-015LF](#) [66207-023LF](#) [67095-007LF](#) [67601157](#) [68645-018](#) [68648-049](#) [70.362.1628.0](#) [70-4210](#) [70-4226B](#) [70-](#)  
[4853B](#) [707-5020](#) [707-5028](#) [71.350.2428.0](#) [71918-208LF](#) [71961-016LF](#) [733-134](#) [733-162](#) [754199-000](#) [760-3052](#) [787-8014-00](#) [79531-3000](#)  
[FCN-360C032-B](#) [FCN-367T-T012/H](#) [FCN-723D010/2](#) [80.063.4001.1](#) [800-90-001-10-001000](#) [800-90-010-10-002000](#) [801-43-002-10-013000](#)