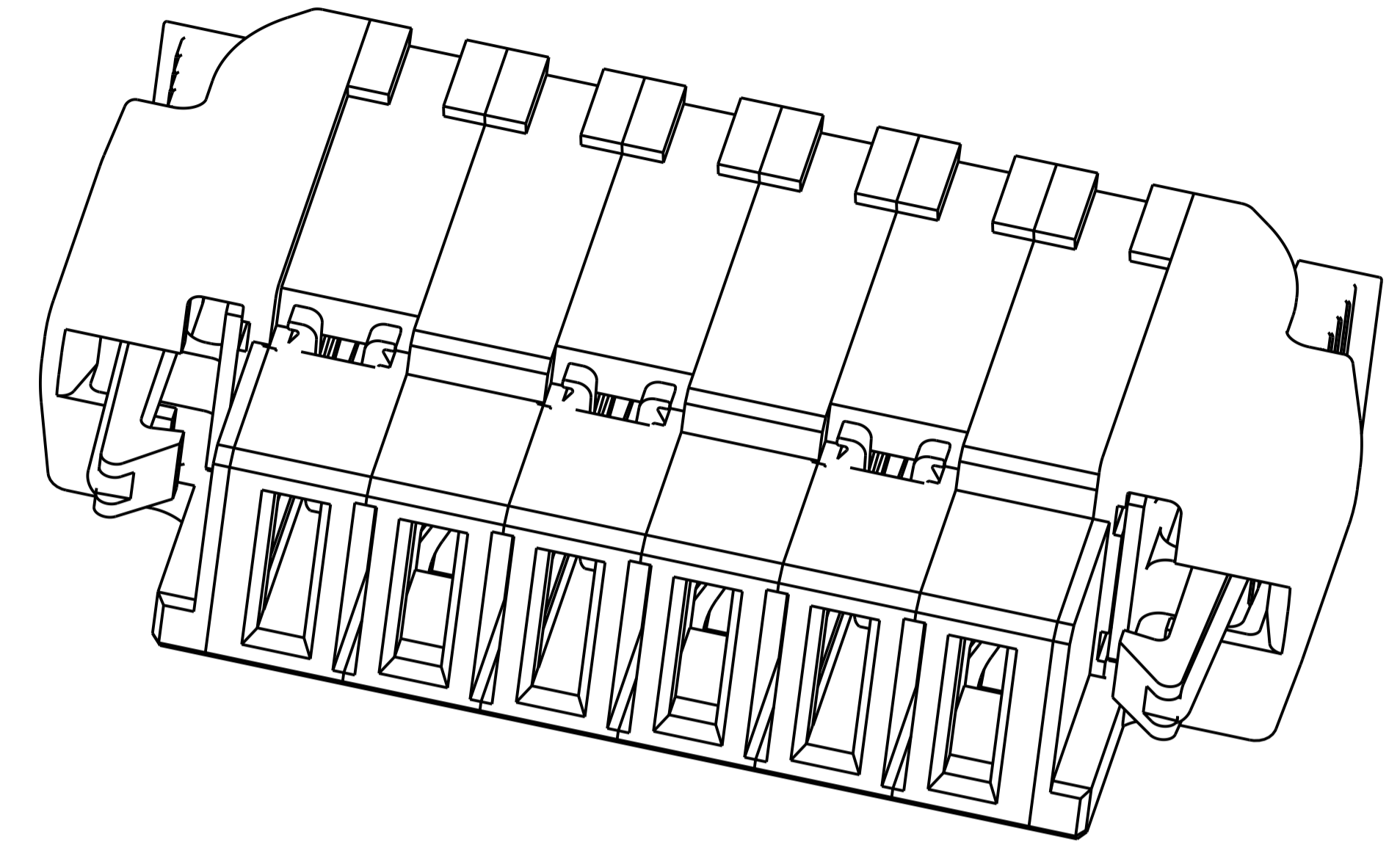
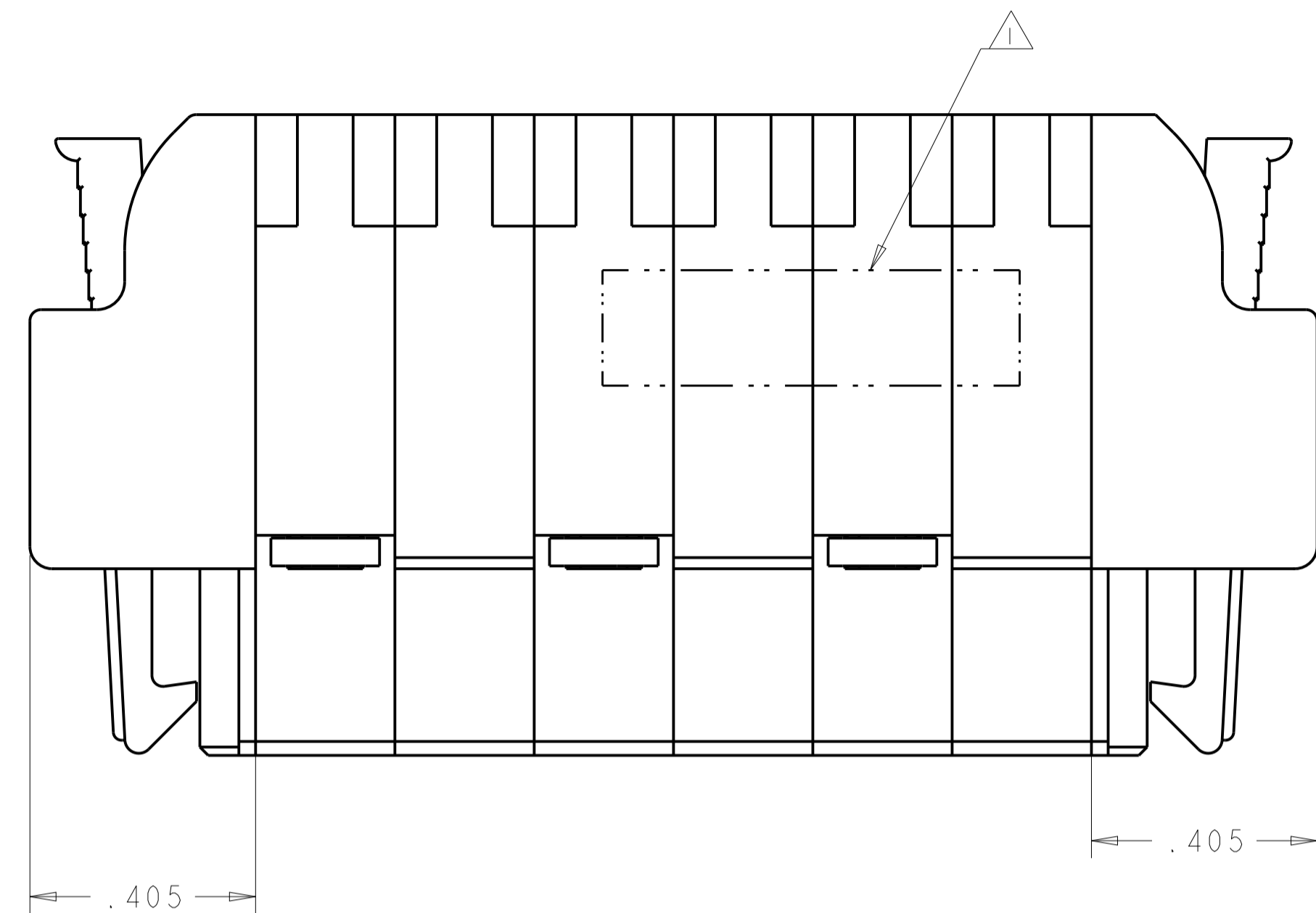
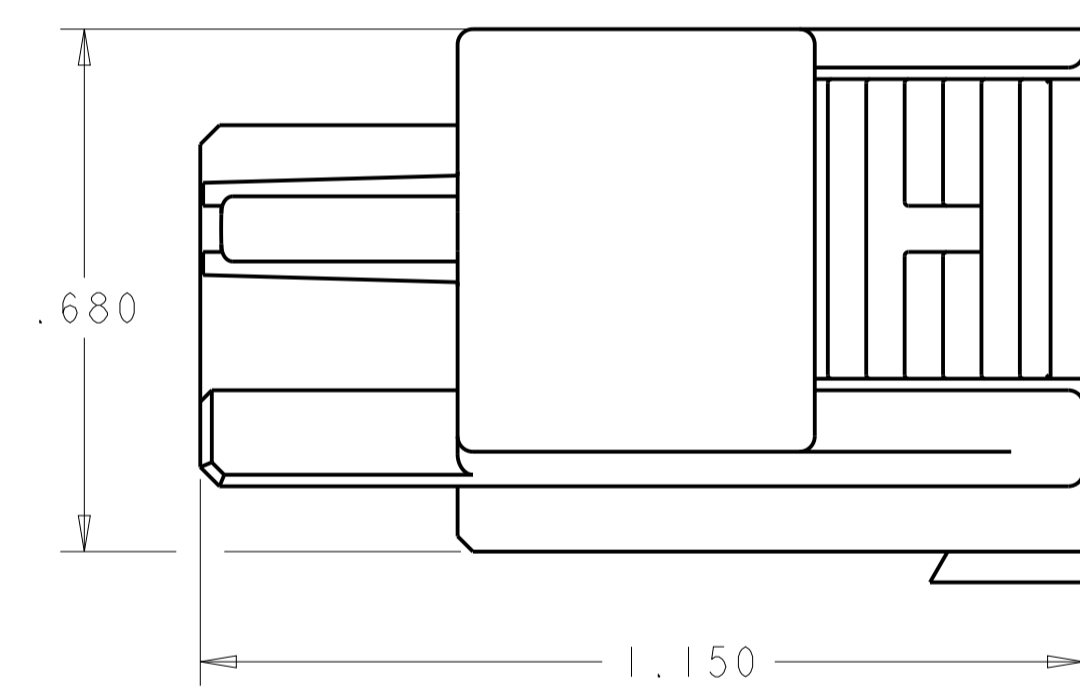
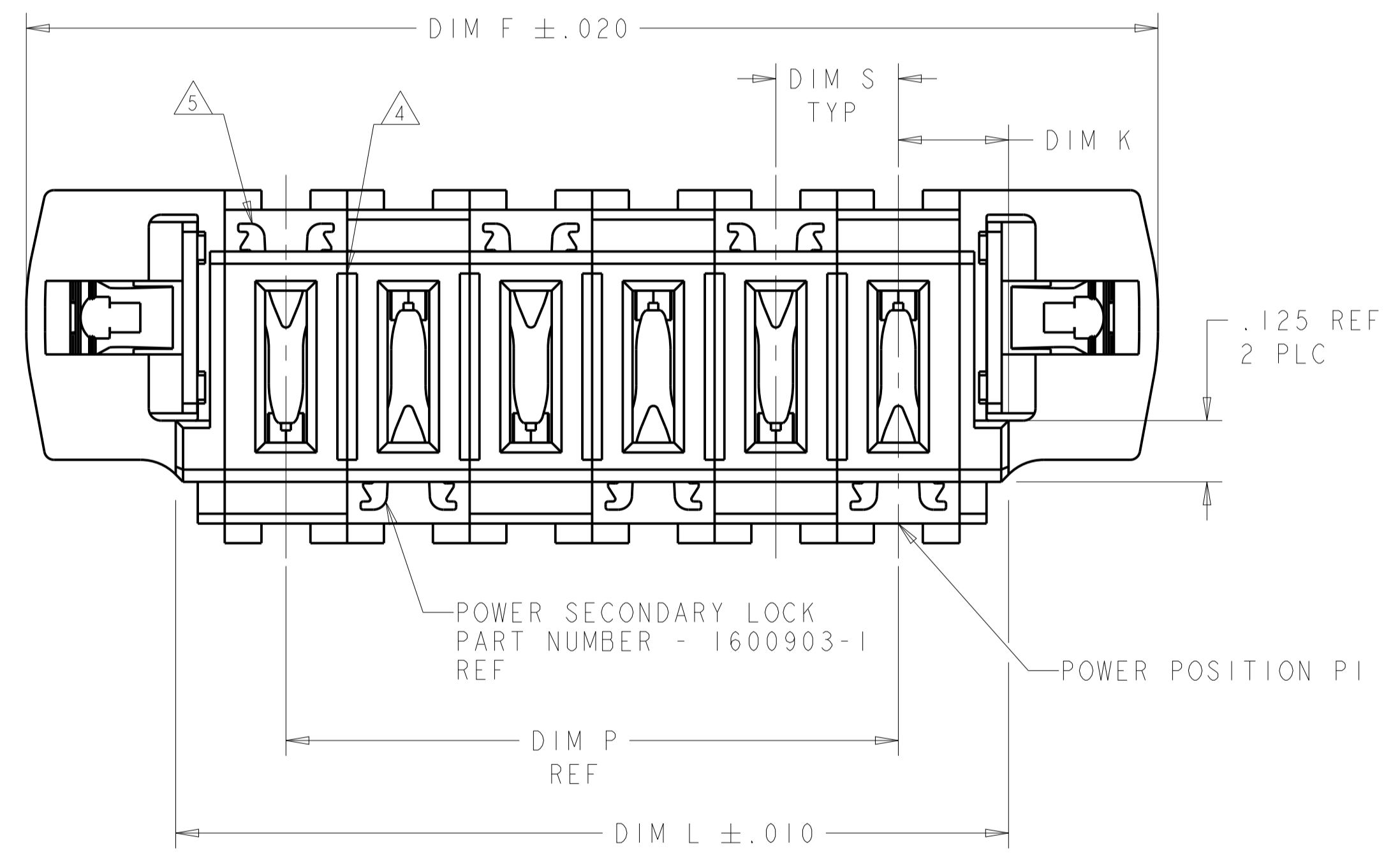


LOC		DIST		REVISIONS			
ES	00	P	LTH	DESCRIPTION	DATE	DWN	APVD
E5				REVISED	23DEC2011	ML	SZ
E6				REV PER ECR-12-019527	09NOV2012	AY	SZ
E8				ADD NEW DASH NUMBER 2-1	04JUN2014	CZ	SZ



ISOMETRIC VIEW
SCALE 4:1



	DIM P	DIM S	DIM L	DIM K	DIM F	DESCRIPTION	PART NUMBER
E8	.500	.250	.950	.225	1.560	3P	2-1600798-1
	.300	.300	.850	.275	1.460	2ACP	2-1600798-0
	.600	.300	1.050	.225	1.660	3ACP	1-1600798-9
	1.050	.350	1.500	.225	2.110	4P	1-1600798-8
	.750	.375	1.200	.225	1.810	3P	1-1600798-7
	.750	.250	1.200	.225	1.810	4P	1-1600798-5
	1.500	.300	2.050	.275	2.660	6ACP	1-1600798-4
	.900	.300	1.450	.275	2.060	4ACP	1-1600798-3
	.700	.350	1.150	.225	1.760	3P	1-1600798-2
	.250	.250	.700	.225	1.310	2P	1-1600798-1
	1.800	.300	2.350	.275	2.960	7ACP	1-1600798-0
	.600	.300	1.150	.275	1.760	3ACP	1600798-8
4	.300	.300	.850	.275	1.460	2ACP	1600798-7
	1.750	.250	2.200	.225	2.810	8P	1600798-6
3	.600	.300	1.150	.275	1.760	3ACP	1600798-5
	.750	.250	1.200	.225	1.810	4P	1600798-4
	.500	.250	.950	.225	1.560	3P	1600798-3
	.300	.300	.850	.275	1.460	2ACP	1600798-2
	1.250	.250	1.700	.225	2.310	6P	1600798-1

- △ COMPANY TRADEMARK, PART NUMBER, AND DATE CODE TO BE MARKED IN APPROXIMATE AREA SHOWN. PARTS UNDER 2.00 LONG MAY BE MARKED ON BOTH SIDES.
- △ THERMO PLASTIC, UL94 V-0
- △ NOT RELEASE FOR PRODUCTION
- △ W/O THE NARROW OPEN IS FOR 1600798-7 ONLY NOW.
- △ SECONDARY LOCK (1600903) WILL BE INSERTED AFTER CABLE WIRE ASSEMBLED

THIS DRAWING IS A CONTROLLED DOCUMENT. DWN: R. GRZYBOWSKI, DIMAROS; CHK: P. DAMATO, DIMAROS; APVD: P. DAMATO, DIMAROS.

DIMENSIONS: INCHES. TOLERANCES UNLESS OTHERWISE SPECIFIED: 0 PLC ±.01, 1 PLC ±.01, 2 PLC ±.01, 3 PLC ±.005, 4 PLC ±.002, ANGLES ±.020.

MATERIAL: THERMO PLASTIC, UL94 V-0. FINISH: AS SUPPLIED.

TE Connectivity logo and name.

NAME: SQUEEZE TO RELEASE CABLE RECEPTACLE HOUSING ASSY, WITH KEY, MULTI-BEAM XLE.

SIZE: A100779. CAGE CODE: 1600798. DRAWING NO: 114-13112. WEIGHT: -. RESTRICTED TO: CUSTOMER DRAWING.

SCALE: 4:1. SHEET 1 OF 3. REV: E8.

PART NUMBER	ROWS	POWER					
		P6	P5	P4	P3	P2	P1
1600798-1	D C B A	RM	RM	RM	RM	RM	RM
6P							

PART NUMBER	ROWS	POWER	
		P2	P1
1600798-7	D C B A	RM	RM
2ACP			

PART NUMBER	ROWS	POWER		
		P3	P2	P1
1-1600798-2	D C B A	RM	RA	RM
3P				

PART NUMBER	ROWS	POWER	
		P2	P1
1600798-2	D C B A	RM	RM
2ACP			

PART NUMBER	ROWS	POWER		
		P3	P2	P1
1600798-8	D C B A	RA	RM	RM
3ACP				

PART NUMBER	ROWS	POWER			
		P4	P3	P2	P1
1-1600798-3	D C B A	RM	RM	RM	RM
4ACP					

PART NUMBER	ROWS	POWER		
		P3	P2	P1
1600798-3	D C B A	RM	RM	RM
3P				

PART NUMBER	ROWS	POWER						
		P7	P6	P5	P4	P3	P2	P1
1-1600798-0	D C B A	RM	RM	RM	RA	RM	RM	RM
7ACP								

PART NUMBER	ROWS	POWER					
		P6	P5	P4	P3	P2	P1
1-1600798-4	D C B A	RM	RM	RM	RM	RM	RM
6ACP							

PART NUMBER	ROWS	POWER			
		P4	P3	P2	P1
1600798-4	D C B A	RM	RM	RM	RM
4P					

PART NUMBER	ROWS	POWER	
		P2	P1
1-1600798-1	D C B A	RM	RM
2P			

PART NUMBER	ROWS	POWER			
		P4	P3	P2	P1
1-1600798-5	D C B A	RM	RM	RA	RA
4P					

PART NUMBER	ROWS	POWER		
		P3	P2	P1
1600798-5	D C B A	RM	RM	RM
3ACP				

PART NUMBER	ROWS	POWER		
		P3	P2	P1
1-1600798-7	D C B A	RM	RM	RM
3P				

PART NUMBER	ROWS	POWER							
		P8	P7	P6	P5	P4	P3	P2	P1
1600798-6	D C B A	RM	RM	RM	RM	RM	RM	RM	RM
8P									

REFERENCE WIRE CHART AND CONTACTS		
HOUSING MODULE	CONTACT	INSULATION DIAMETER RANGE
.300 POWER	8 - 10 1600960 REF	[.176 - .272]
.250 POWER	8 - 10 1600960 REF	[.176 - .203]
	12 - 14 1600961 REF	[.156 - .176]
.200 POWER	12 - 14 1600961 REF	[.120 - .156]
.100 SIGNAL	22 - 26 5531216-3 REF	[.036 - .069]

RM	STANDARD POWER
RA	MFBL POWER
E	SIGNAL CONTACT
CODE	DESCRIPTION
CONTACT TABLE	

THIS DRAWING IS A CONTROLLED DOCUMENT.

OWN: B. GRZYBOWSKI, DIMAROS
 CHK: P. DAMATO, DIMAROS
 APV: P. DAMATO

DIMENSIONS: INCHES
 TOLERANCES UNLESS OTHERWISE SPECIFIED:
 0 PLC ±.
 1 PLC ±.01
 2 PLC ±.01
 3 PLC ±.005
 4 PLC ±.002
 ANGLES ±.020

MATERIAL: FINISH

PRODUCT SPEC: 108-2157
 APPLICATION SPEC: 114-13112

WEIGHT: -
 CUSTOMER DRAWING

SCALE: 2:1
 SHEET: 2 OF 3
 REV: E8

NAME: SQUEEZE TO RELEASE CABLE RECEPTACLE HOUSING ASSY, WITH KEY, MULTI-BEAM XLE

SIZE: A1
 CAGE CODE: -
 DRAWING NO: 1600798
 REV: E8

LOC	DIST	REVISIONS					
		P	LTN	DESCRIPTION	DATE	DWN	APVD
ES	00	-	-	SEE SHEET 1	-	-	-


PART NUMBER	ROWS	POWER			
		P4	P3	P2	P1
1-1600798-8	D C B A	RM	RM	RM	RM
4P					

E3

PART NUMBER	ROWS	POWER		
		P3	P2	P1
1-1600798-9	D C B A	RM	RA	RM
3 ACP				

PART NUMBER	ROWS	POWER	
		P2	P1
2-1600798-0	D C B A	RA	RM
2ACP			

PART NUMBER	ROWS	POWER		
		P3	P2	P1
2-1600798-1	D C B A	RM	RA	RM
3P				

THIS DRAWING IS A CONTROLLED DOCUMENT.		DWN: B. GRZYBOWSKI CHK: P. DAMATO APVD: P. DAMATO	DIMAROS DIMAROS DIMAROS	 TE Connectivity
DIMENSIONS: INCHES	TOLERANCES UNLESS OTHERWISE SPECIFIED: 0 PLC ±. 1 PLC ±.01 2 PLC ±.01 3 PLC ±.005 4 PLC ±.0020 ANGLES ±.2°	PRODUCT SPEC: 108-2157 APPLICATION SPEC: 114-13112	NAME: SQUEEZE TO RELEASE CABLE RECEPTACLE HOUSING ASSY, WITH KEY, MULTI-BEAM XLE SIZE: A1 CAGE CODE: 100779 DRAWING NO: 1600798	
MATERIAL: FINISH:		WEIGHT:	CUSTOMER DRAWING	SCALE: 4:1 SHEET: 3 OF 3 REV: E8

X-ON Electronics

Largest Supplier of Electrical and Electronic Components

Click to view similar products for [Power to the Board](#) category:

Click to view products by [TE Connectivity](#) manufacturer:

Other Similar products are found below :

[6450171-4](#) [6450552-7](#) [6600323-8](#) [6643429-1](#) [6646040-2](#) [6651939-1](#) [6766604-1](#) [120959-1](#) [1393557-2](#) [1393532-2](#) [1393532-3](#) [1393532-4](#)
[1393557-1](#) [1600812-5](#) [1-6450861-2](#) [1744132-7](#) [1761122-1](#) [1766250-1](#) [1892109-1](#) [2-6450860-5](#) [2-6450870-0](#) [1-6450161-4](#) [1-6450850-6](#) [1-6450869-6](#) [1645526-2](#) [1-6600130-0](#) [2005243-2](#) [377-0020-11130](#) [TE34-12-16P-F0](#) [5-6450830-6](#) [5646956-4](#) [377-0080-11131A](#) [4-6450830-9](#)
[4-6600333-3](#) [10125416-4050LF](#) [6600320-3](#) [3-6450860-5](#) [1888123-2](#) [6450166-1](#) [6643978-1](#) [6766605-1](#) [701-15-02109](#) [N11444](#) [6651938-1](#)
[6450810-7](#) [46437-1112](#) [1-1589677-8](#) [5646956-5](#) [6450813-2](#) [6450129-4](#)