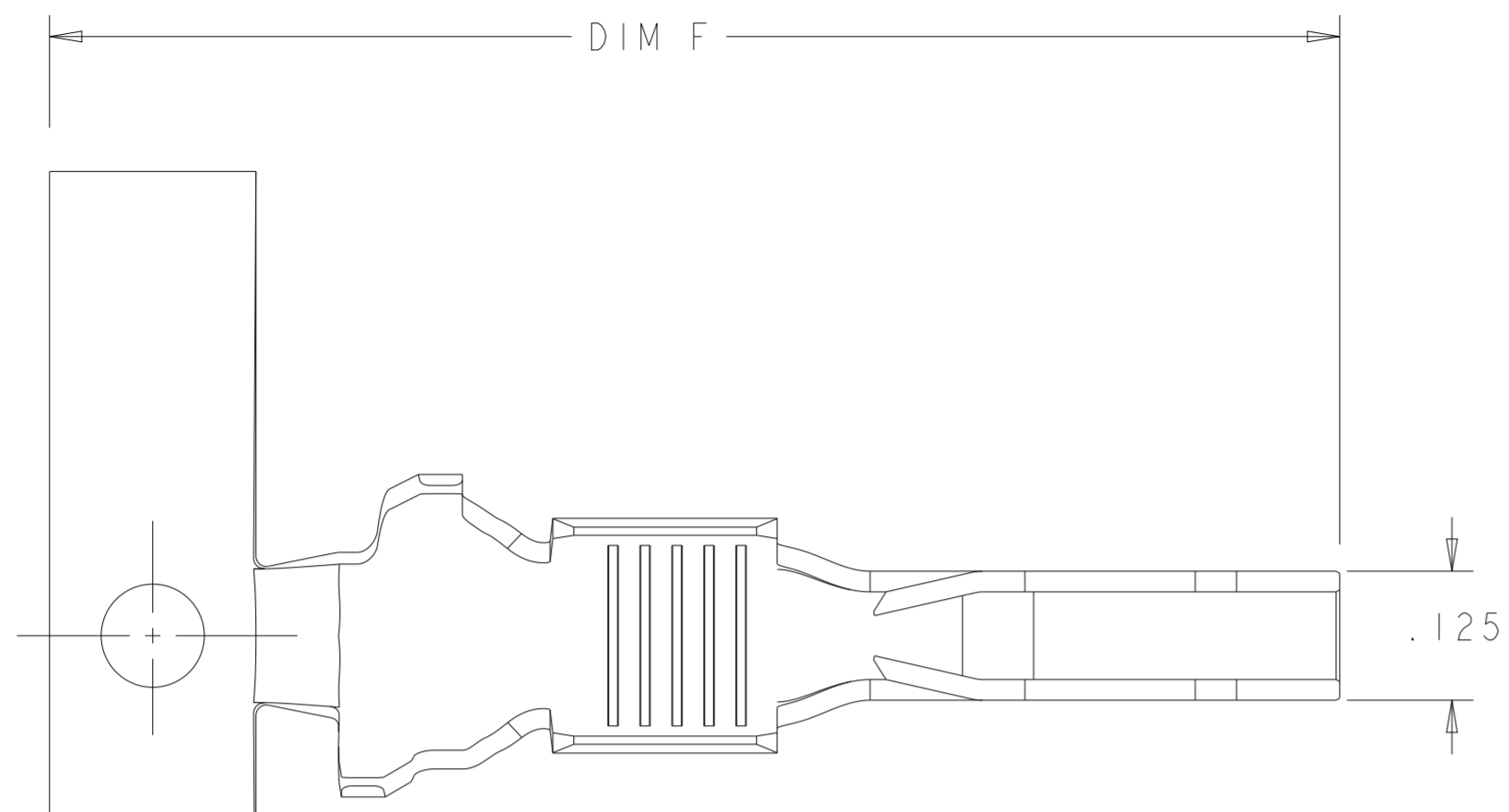
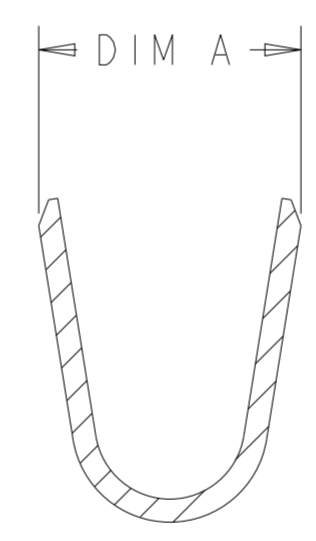
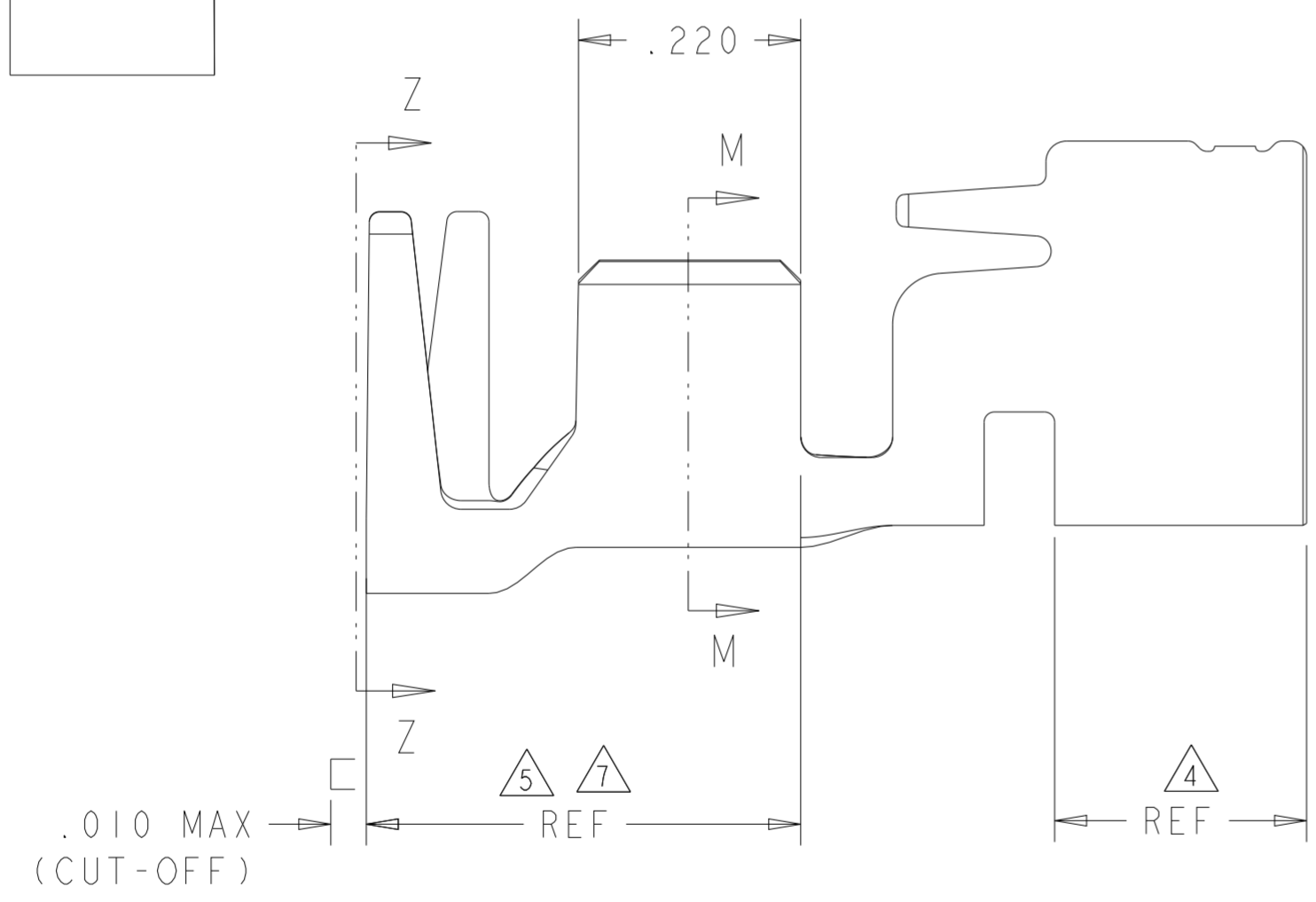


THIS DRAWING IS UNPUBLISHED. RELEASED FOR PUBLICATION 20  
 © COPYRIGHT 20 BY TYCO ELECTRONICS CORPORATION. ALL RIGHTS RESERVED.

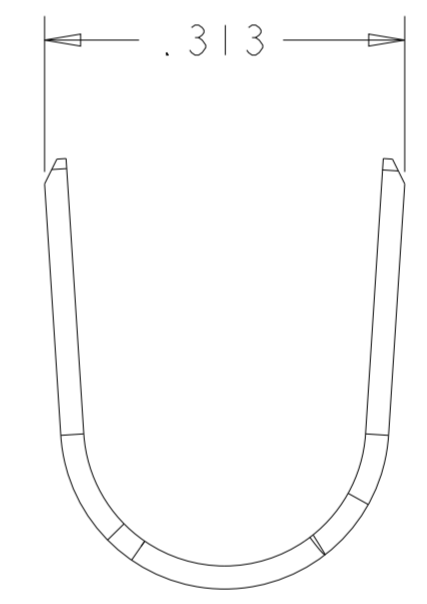
LOC	DIST	REVISIONS					
GP	00	P	LTR	DESCRIPTION	DATE	DWN	APVD
			B3	ADDED NEW DASH NUMBERS	28JUN2021	CZ	SH



1. WIRE RANGE: 8 - 10 AWG
2. INSULATION RANGE: .176 - .272
- 3 FINISH: NICKEL PLATE ALL OVER 0.000050 MIN THICK
- 4 FINISH: NOBLE METAL PLATING ON CONTACT FUNCTIONAL AREA
- 5 FINISH: TIN IN AREA INDICATED 0.000050 - 0.000100 THK.
6. MATERIAL: HIGH CONDUCTIVITY COPPER ALLOY
- 7 FINISH: TIN-LEAD IN AREA INDICATED 0.000050 - 0.000100 THK.



SECTION M-M



SECTION Z-Z

.315	1.200	3 4 5	STD	2-1600960-4
.315	1.250	3 4 5	MFBL	2-1600960-1
.228	1.200	3 4 5	STD	1-1600960-8
.228	1.250	3 4 5	MFBL	1-1600960-7
.228	1.200	3 4 7	STD	1-1600960-0
.228	1.250	3 4 7	MFBL	1600960-9
DIM A	DIM F REF	FINISH	DESCRIPTION	PART NUMBER

<small>THIS DRAWING IS A CONTROLLED DOCUMENT FOR TYCO ELECTRONICS CORPORATION. IT IS SUBJECT TO CHANGE AND THE CONTROLLING ENGINEERING ORGANIZATION SHOULD BE CONTACTED FOR THE LATEST REVISION.</small>		DWN 19 JAN 2005 R. GRZYBOWSKI CHK P. D'AMATO APVD P. D'AMATO PRODUCT SPEC 108-2157 APPLICATION SPEC 114-13112 WEIGHT - CUSTOMER DRAWING	<b>tyco</b> <b>Electronics</b> Tyco Electronics Harrisburg, PA 17105-3608
DIMENSIONS: INCHES 	TOLERANCES UNLESS OTHERWISE SPECIFIED: 0 PLC ± 1 PLC ±.10 2 PLC ±.05 3 PLC ±.020 4 PLC ±.0020 ANGLES ± FINISH	NAME VERTICAL BULKHEAD CABLE RECEPTACLE POWER CONTACT MULTI-BEAM XL SIZE CAGE CODE DRAWING NO RESTRICTED TO A200779 C-1600960 SCALE 6:1 SHEET 1 OF 1 REV B3	
SEE NOTES	SEE NOTES		

## X-ON Electronics

Largest Supplier of Electrical and Electronic Components

*Click to view similar products for [Heavy Duty Power Connectors](#) category:*

*Click to view products by [TE Connectivity](#) manufacturer:*

Other Similar products are found below :

[647757-1](#) [6643411-1](#) [6646058-2](#) [6646137-1](#) [6646138-1](#) [6646479-1](#) [6646608-1](#) [6646786-1](#) [6646940-1](#) [6651091-1](#) [6651525-1](#) [6651529-1](#)  
[6651788-1](#) [696475-1](#) [702-32-01109](#) [703-25-02205](#) [73000005059](#) [73000005642](#) [73080255059](#) [73080965046](#) [765-15-0080A](#) [765-16-0080B](#)  
[765-18-0080D](#) [829992-1](#) [902-77-02113](#) [PS00/A0620/6300](#) [PS25/A0420/63](#) [129-1J](#) [1409400](#) [AN0024023](#) [E6374G1](#) [e6389g2](#) [157-43GW8](#)  
[MS3117-14AC](#) [1643543-1](#) [1650540-1](#) [1651811-2](#) [1766260-1](#) [1766282-1](#) [1766966-1](#) [1791340000](#) [NLDFT-3-BL-L-S120-M40A](#) [NLDFT-N-](#)  
[W-L-C240-M40B](#) [NLS-2-R-C240-M40B](#) [NLS-N-W-C240-M40B](#) [NPS-3-BL-T6](#) [1986615-1](#) [2-1589900-8](#) [2199314-1](#) [KA8102](#)