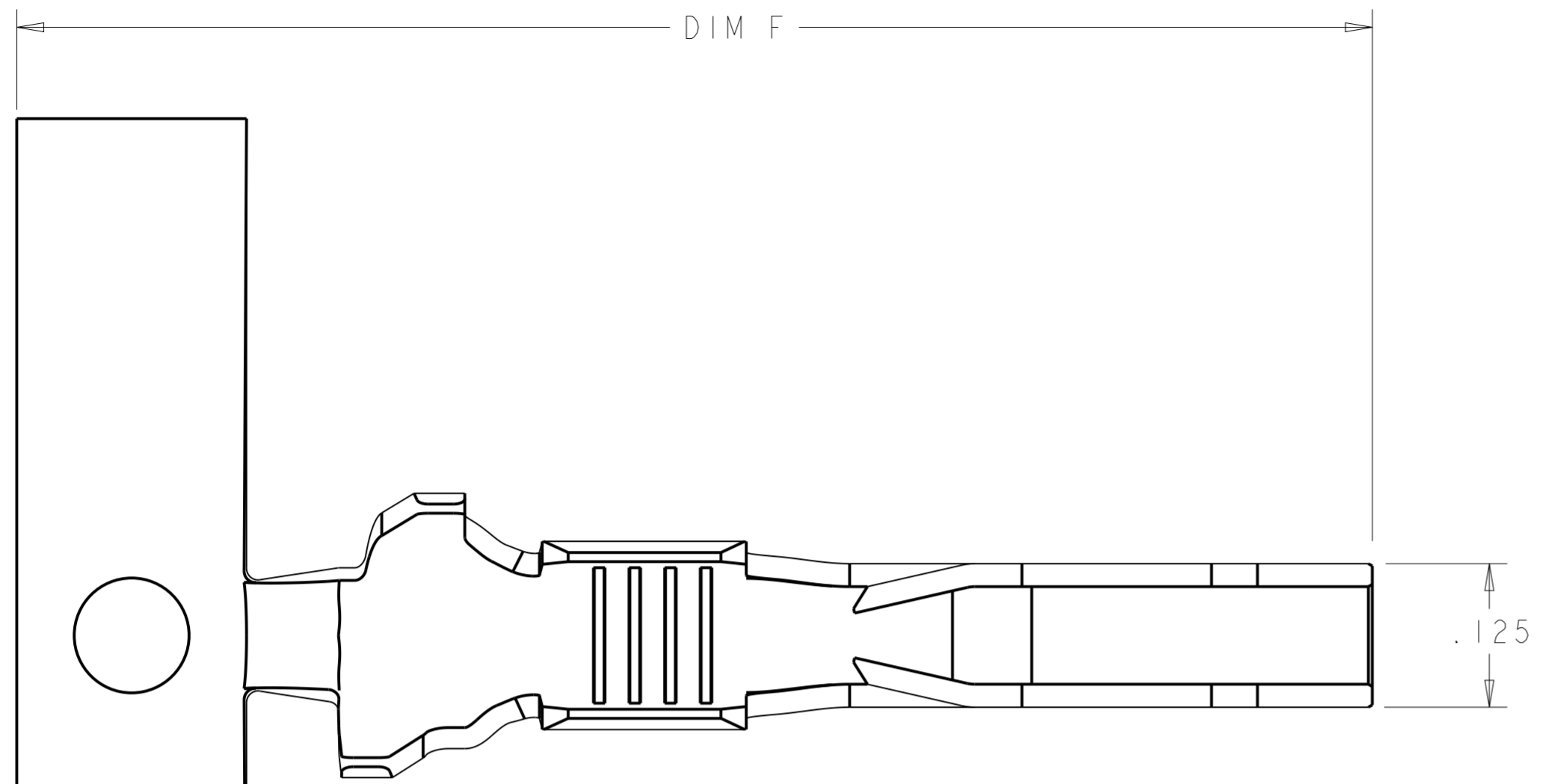
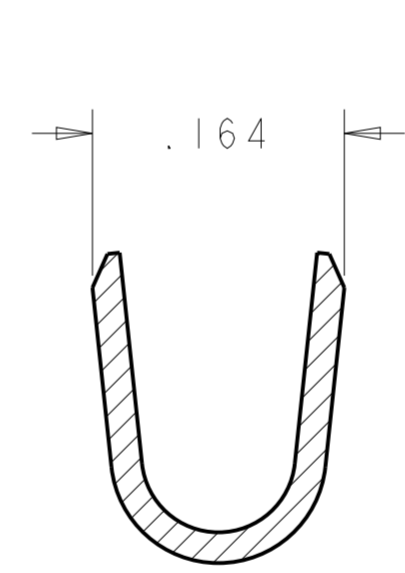
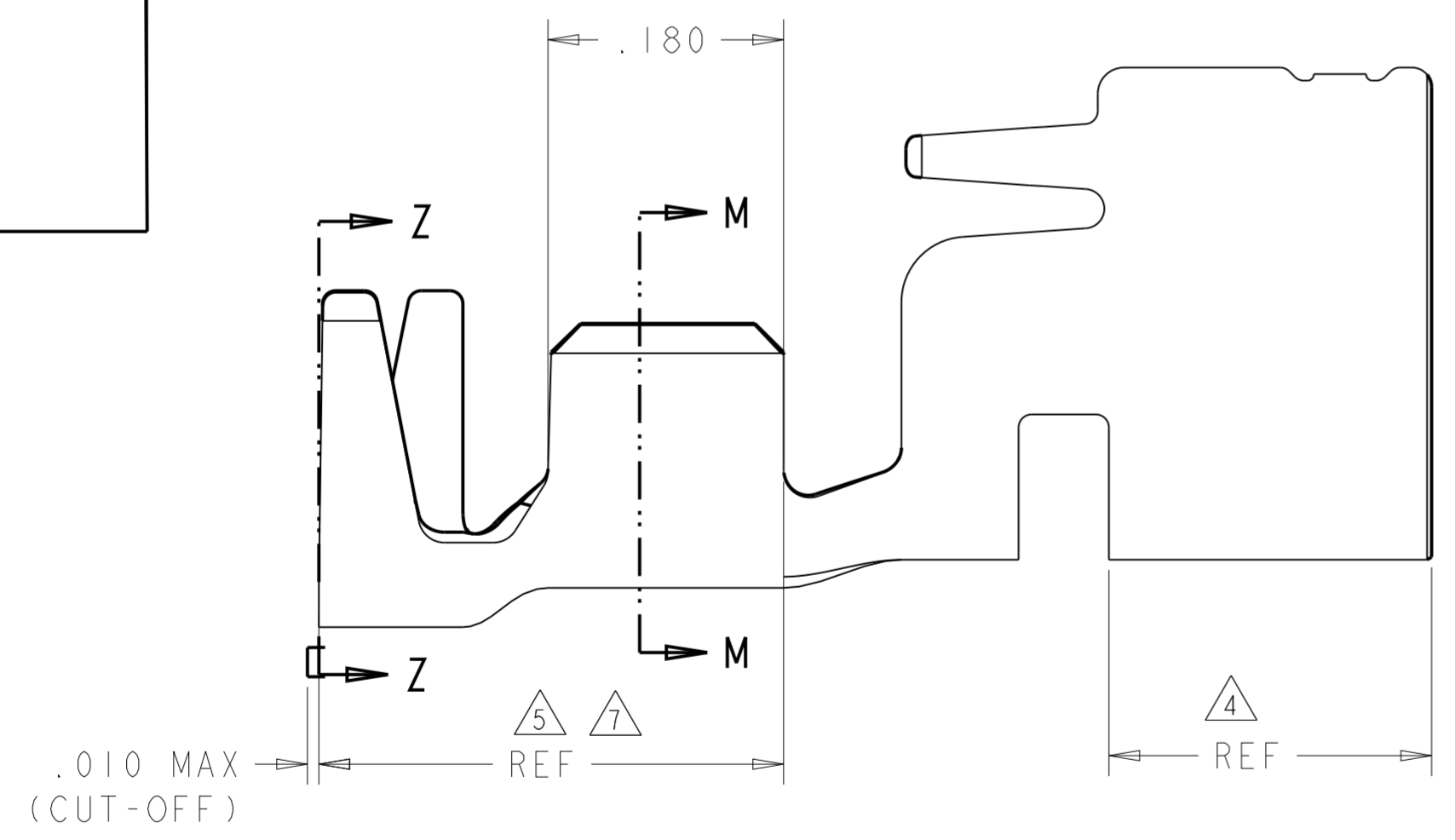


THIS DRAWING IS UNPUBLISHED. RELEASED FOR PUBLICATION 20
 © COPYRIGHT 20 BY TYCO ELECTRONICS CORPORATION. ALL RIGHTS RESERVED.

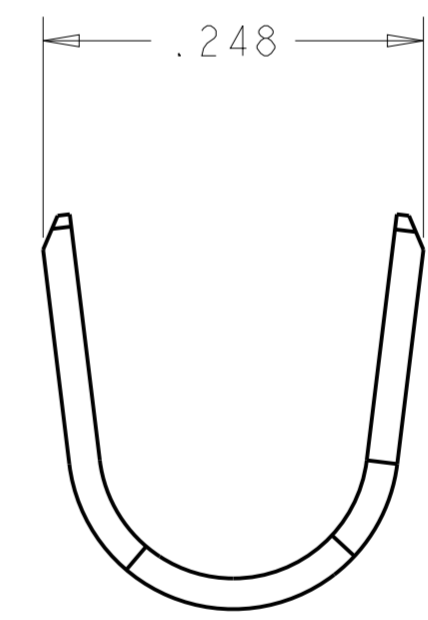
LOC	DIST	REVISIONS					
GP	00	P	LTR	DESCRIPTION	DATE	DWN	APVD
		I		REV PER 0S12-0055-05	25JAN2005	RG	PA
		A		REV PER 0S15-0019-05	05APR2005	RG	PD
		B		REV PER 0S15-0090-05	13MAY2005	RG	PD
		BI		REV PER ECO-14-002957	28FEB2014	OL	SZ



1. WIRE RANGE: 12 - 14 AWG
2. INSULATION RANGE: .120 - .176
3. FINISH: NICKEL PLATE ALL OVER 0.000050 MIN THICK
4. FINISH: NOBLE METAL PLATING ON CONTACT FUNCTIONAL AREA
5. FINISH: TIN IN AREA INDICATED 0.000050 - 0.000100 THK.
6. MATERIAL: HIGH CONDUCTIVITY COPPER ALLOY
7. FINISH: TIN-LEAD IN AREA INDICATED 0.000050 - 0.000100 THK



SECTION M-M



SECTION Z-Z

1.135	3 4 5	STD	1-1600961-8
1.185	3 4 5	MFBL	1-1600961-7
1.135	3 4 7	STD	1-1600961-0
1.185	3 4 7	MFBL	1600961-9
DIM F	FINISH	DESCRIPTION	PART NUMBER
REF			

<small>THIS DRAWING IS A CONTROLLED DOCUMENT FOR TYCO ELECTRONICS CORPORATION. IT IS SUBJECT TO CHANGE AND THE CONTROLLING ENGINEERING ORGANIZATION SHOULD BE CONTACTED FOR THE LATEST REVISION.</small>		DWN: 25 JAN 2005 R. GRZYBOWSKI CHK: P. D'AMATO APVD: P. D'AMATO	tyco Electronics Tyco Electronics Harrisburg, PA 17105-3608
DIMENSIONS: INCHES 	TOLERANCES UNLESS OTHERWISE SPECIFIED: 0 PLC ± 1 PLC ±.10 2 PLC ±.05 3 PLC ±.0020 4 PLC ± ANGLES ± FINISH	PRODUCT SPEC: 108-2157 APPLICATION SPEC: 114-13112 WEIGHT: - CUSTOMER DRAWING	NAME: VERTICAL BULKHEAD CABLE RECEPTACLE POWER CONTACT MULTI-BEAM XL SIZE: A2 CAGE CODE: 00779 DRAWING NO: C-1600961 RESTRICTED TO: - SCALE: 8:1 SHEET: 1 OF 1 REV: BI

X-ON Electronics

Largest Supplier of Electrical and Electronic Components

Click to view similar products for [Power to the Board](#) category:

Click to view products by [TE Connectivity](#) manufacturer:

Other Similar products are found below :

[6450171-4](#) [6450552-7](#) [6600323-8](#) [6643429-1](#) [6646040-2](#) [6651939-1](#) [6766604-1](#) [120959-1](#) [1393557-2](#) [1393532-2](#) [1393532-3](#) [1393532-4](#)
[1393557-1](#) [1600812-5](#) [1-6450861-2](#) [1744132-7](#) [1761122-1](#) [1766250-1](#) [1892109-1](#) [2-6450860-5](#) [2-6450870-0](#) [1-6450161-4](#) [1-6450850-6](#) [1-6450869-6](#) [1645526-2](#) [1-6600130-0](#) [2005243-2](#) [377-0020-11130](#) [TE34-12-16P-F0](#) [5-6450830-6](#) [5646956-4](#) [377-0080-11131A](#) [4-6450830-9](#)
[4-6600333-3](#) [10125416-4050LF](#) [6600320-3](#) [3-6450860-5](#) [1888123-2](#) [6450166-1](#) [6643978-1](#) [6766605-1](#) [701-15-02109](#) [N11444](#) [6651938-1](#)
[6450810-7](#) [46437-1112](#) [1-1589677-8](#) [5646956-5](#) [6450813-2](#) [6450129-4](#)