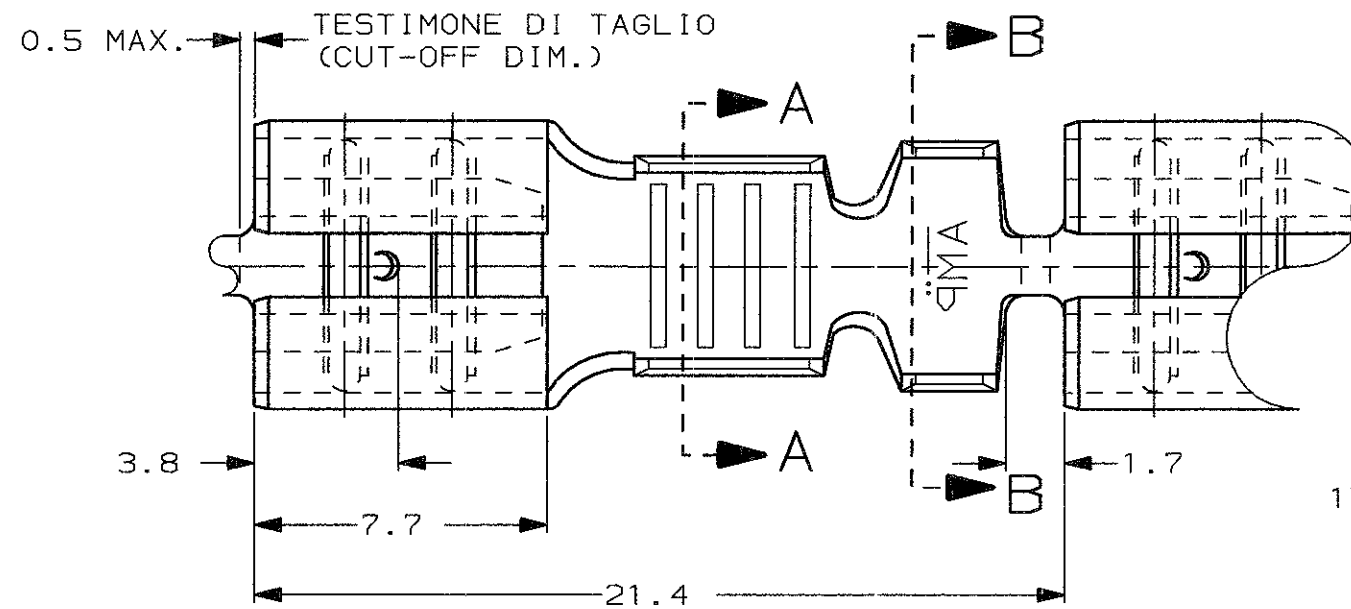


SCALA NON IMPEGNATIVA  
(DO NOT SCALE)  
DIMENSIONI IN mm  
(DIMENSIONS IN mm)

**METRIC**



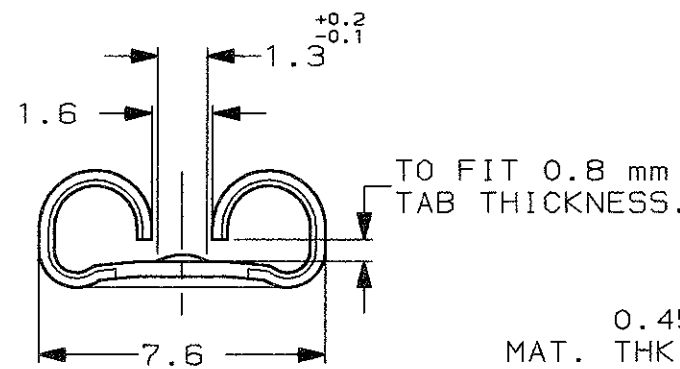
1) STATO DI FORNITURA - SCALA 1:1  
(SUPPLY CONDITION - SCALE 1:1)

SENSO DI USCITA  
DEL TERMINALE  
DALLA BOBINA  
(DIRECTION OFF  
TOP OF REEL)



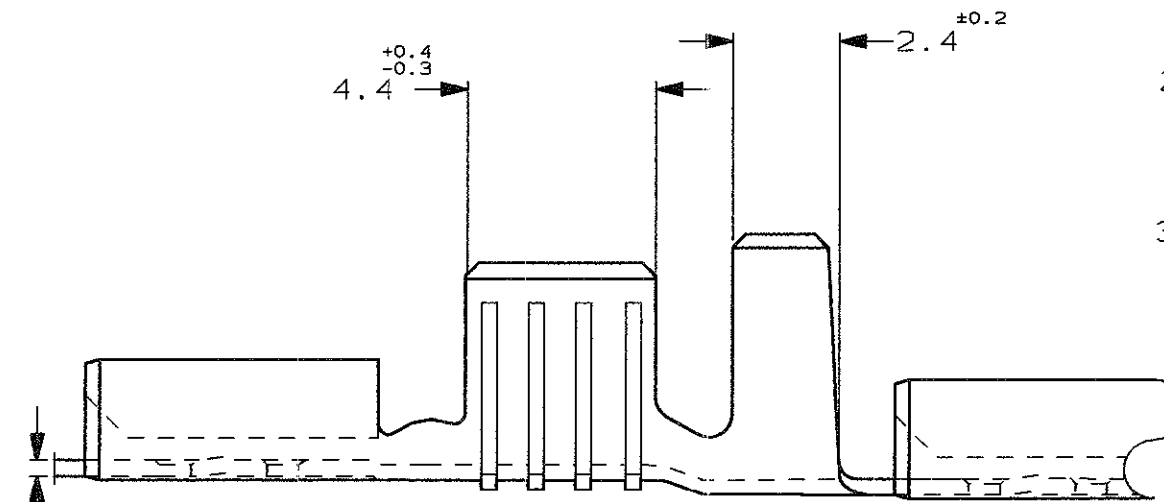
2) SPECIFICA DI PRODOTTO 108-20019  
(PRODUCT SPEC. 108-20019)  
SPECIFICA DI APPLICAZIONE 114-20023  
(APPLICATION SPEC. 114-20023).

3) PER LE VERSIONI IN PEZZI SCIOLTI  
VEDERE DISEGNO 160305  
(FOR LOOSE PIECE VERSION SEE DRAWING 160305).

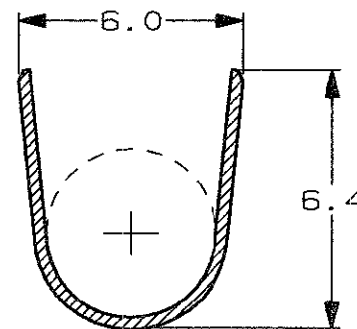
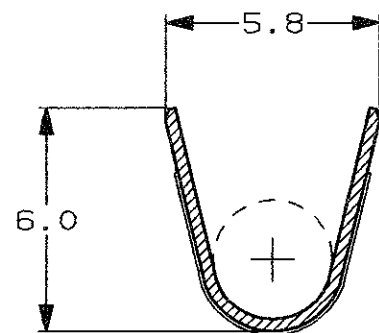


SEZIONE A-A  
(SECTION A-A)

MAT. THK. 0.45



SEZIONE B-B  
(SECTION B-B)



	NUDO (UNPLATED)	BRONZO FOSF. (PHOS. BRONZE)	2-160301-9	BA
	NUDO (UNPLATED)	OTTONE (BRASS)	2-160301-8	BA
	STAGNATO (TIN PLATED)	BRONZO FOSF. (PHOS. BRONZE)	1-160301-9	BA
	ARGENTATO (SILVERPLATED)	BRONZO FOSF. (PHOS. BRONZE)	1-160301-8	BA
	STAGNATO (TIN PLATED)	OTTONE (BRASS)	1-160301-6	BA
NOTE	FINITURA / COLORE (FINISH / COLOUR)	MATERIALE (MATERIAL)	NUMERO (PART NUMBER)	REV

CUSTOMER DWG.  
FOR REFERENCE ONLY

DISEGNO PER CLIENTE  
SOLO PER RIFERIMENTO

THIS DRAWING IS UNPUBLISHED RELEASE FOR PUBLICATION 19

TOLLERANZE, SE NON  
DIVERSAMENTE SPECIFICATO  
(TOLERANCES, UNLESS  
OTHERWISE SPECIFIED)

DIAM. ISOLANTE  
(INS. DIA. RANGE)

RANGO FILO  
(WIRE RANGE) mm2

SCALA  
(SCALE)

± 0.3



ANGOLI  
(ANGLES)

± 2°

DIS. H. YAALI  
(DR.) 20 OCT 2000

DESCRIZIONE (DESCRIPTION)  
FASTON® Connector,  
.250" sr. REC. CONTACT.

CONT. C. TARTARI  
(CHK) 20 OCT 2000

LOC. SIZE NUMERO  
(DWG NO)

REV.

FUOGGIO  
(SHEET)

BA4	REVISED PER ECO-11-005294	RK	06APR 11
REV. (REV.)	REVISIONI (REVISION RECORD)	DIS. (DR)	DATA (DATE)

I A3 C-160301

BA4 1 DI 1

## X-ON Electronics

Largest Supplier of Electrical and Electronic Components

*Click to view similar products for [Terminals](#) category:*

*Click to view products by [TE Connectivity](#) manufacturer:*

Other Similar products are found below :

[00-054007-01074-6](#) [00-054007-70206-1](#) [00-054007-70210-8](#) [00-054007-70217-7](#) [00-054007-70226-9](#) [00-054007-70228-3](#) [00-054007-70248-1](#) [00-054007-70256-6](#) [00-054007-70301-3](#) [00-054007-70316-7](#) [0-0320562-0](#) [00-054007-49560-4](#) [00-054007-70209-2](#) [00-054007-70225-2](#) [00-054007-70227-6](#) [00-054007-70231-3](#) [00-054007-70241-2](#) [00-054007-70242-9](#) [00-054007-70244-3](#) [00-054007-70246-7](#) [00-054007-70263-4](#) [00-054007-70288-7](#) [00-054007-70290-0](#) [00-054007-70300-6](#) [00-054007-70304-4](#) [01-2065-1-0216](#) [01-2900-1-04412](#) [00581P0075](#) [600TS-10](#) [60205-1](#) [604200-1](#) [605601-1](#) [60598-1-CUT-TAPE](#) [61314-6-C](#) [61810-3](#) [61-S](#) [61-SN](#) [626-0194](#) [62-NBM-A](#) [62-SN](#) [62-SP](#) [63-S](#) [640179-1](#) [M55155/059I03](#) [M55155/079C01](#) [M55155/099H02](#) [M55155/109H01](#) [M55155/109H02](#) [M55155/12XH05](#) [M55155/16XH02](#)