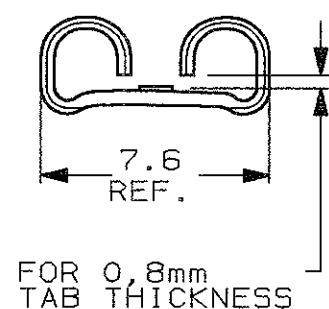
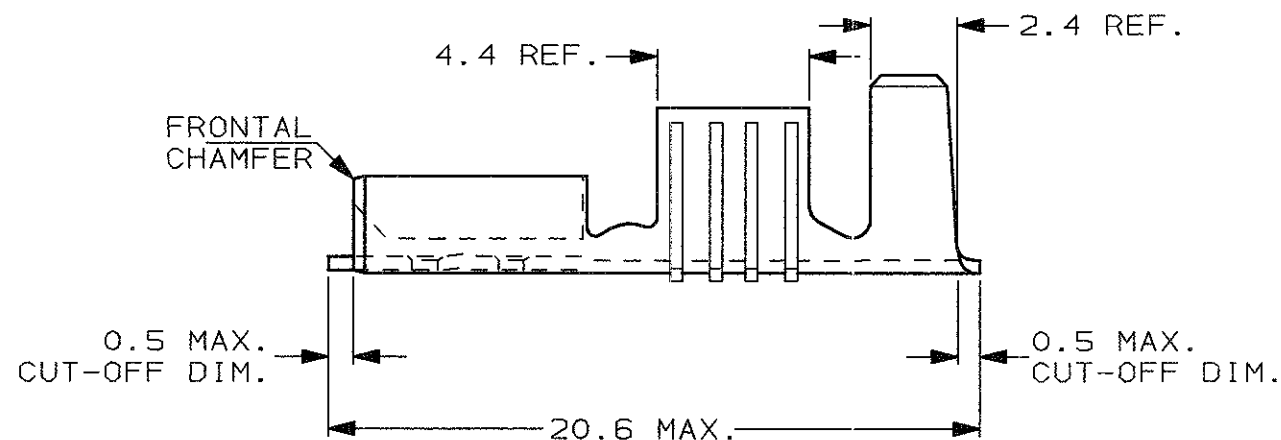
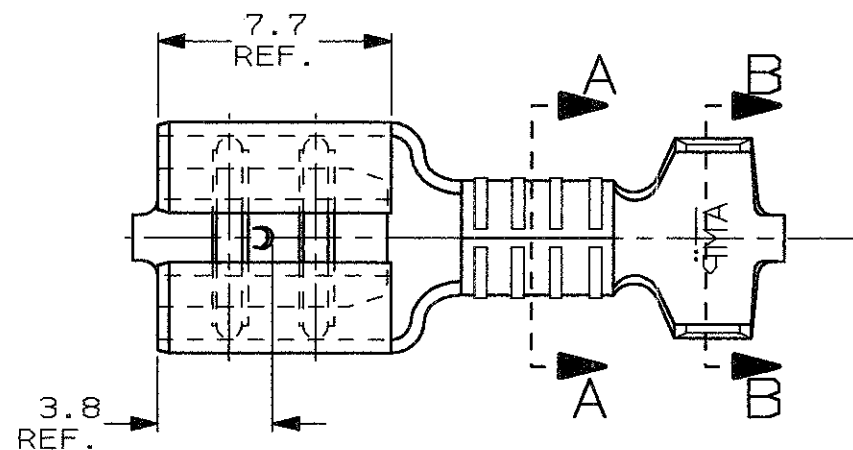


SCALA NON IMPEGNATIVA
(DO NOT SCALE)
DIMENSIONI IN mm
(DIMENSIONS IN mm)

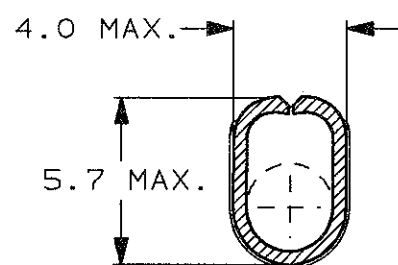
METRIC



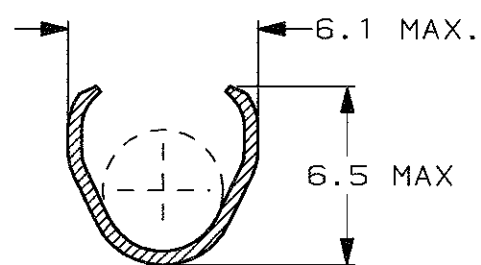
1) PER LE VERSIONI A NASTRO VEDERE DISEGNO 160301.
(FOR STRIP FORM VERSION SEE DRAWING 160301).

2) OBSOLETE PARTS: OBSOLETE CIS STREAMLINING PER D.RENAUD/D.SINISI

SEZIONE A-A
SECTION A-A



SEZIONE B-B
SECTION B-B



2) OBSOLETE

STAGNATO (TIN PLATED)	BRONZO FOS. (PHOS. BRONZE)	1-160305-9	R
ARGENTATO (SILVER PLATED)	BRONZO FOS. (PHOS. BRONZE)	1-160305-8	R
STAGNATO (TIN PLATED)	OTTONE (BRASS)	1-160305-6	R
NUDO (UNPLATED)	BRONZO FOS. (PHOS. BRONZE)	1-160305-4	R
NUDO (UNPLATED)	OTTONE (BRASS)	1-160305-3	R
FINITURA / COLORE (FINISH / COLOUR)	MATERIALE (MATERIAL)	NUMERO (PART NUMBER)	REV

CUSTOMER DWG. FOR REFERENCE ONLY
DISEGNO PER CLIENTE SOLO PER RIFERIMENTO

THIS DRAWING IS UNPUBLISHED
RELEASE FOR PUBLICATION 19

© COPYRIGHT 19 BY AMP INCORPORATED, HARRISBURG, PA. ALL INTERNATIONAL RIGHTS RESERVED. AMP PRODUCTS MAY BE COVERED BY U.S. AND FOREIGN PATENT AND/OR PATENT PENDING

TOLLERANZE, SE NON DIVERSAMENTE SPECIFICATO (TOLERANCES, UNLESS OTHERWISE SPECIFIED)	DIAM. ISOLANTE (INS. DIA. RANGE)	RANGO FILO (WIRE RANGE)	SCALA (SCALE)
± 0.3	3.8-5.0	4.0-6.0	4:1

ANGOLI (ANGLES) ± 2°

AMP AMP ITALIA S.p.A.
Corso F. LLI Cervi, 15
COLLEGNO (TORINO)

DIS. H. YAALI (DR.) 08 AUG 2000

DESCRIZIONE (DESCRIPTION) FASTON® Connector, .250" sr. REC. CONTACT (LOOSE PIECE VERSION)

REV.	REVISIONI (REVISION RECORD)	DIS. (DR.)	DATA (DATE)	APP. (APP.)	LOC.	SIZE	NUMERO (DWG NO)	REV.	FOGLIO (SHEET)
R1	REVISED PER ECO-09-022178	KK	21SEP 09	CONT. C. TARTARI (CHK) 08 AUG 2000	I	A3	C-160305	R1	1 DI (OF) 1
R	OBSOLETE PARTS & REDRAWN ETOO-0246-00	H. Y.	02 JAN 2001						

DISTRIBUZIONE (PRINT/DIST.)

X-ON Electronics

Largest Supplier of Electrical and Electronic Components

Click to view similar products for [Terminals](#) category:

Click to view products by [TE Connectivity](#) manufacturer:

Other Similar products are found below :

[00-054007-01074-6](#) [00-054007-70206-1](#) [00-054007-70210-8](#) [00-054007-70217-7](#) [00-054007-70226-9](#) [00-054007-70228-3](#) [00-054007-70248-1](#) [00-054007-70256-6](#) [00-054007-70301-3](#) [00-054007-70316-7](#) [00-054007-49560-4](#) [00-054007-70209-2](#) [00-054007-70225-2](#) [00-054007-70227-6](#) [00-054007-70231-3](#) [00-054007-70241-2](#) [00-054007-70242-9](#) [00-054007-70244-3](#) [00-054007-70246-7](#) [00-054007-70263-4](#) [00-054007-70288-7](#) [00-054007-70290-0](#) [00-054007-70300-6](#) [00-054007-70304-4](#) [01-2065-1-0216](#) [01-2900-1-04412](#) [00581P0075](#) [600TS-10](#) [60205-1](#) [604200-1](#) [605601-1](#) [60598-1-CUT-TAPE](#) [61314-6-C](#) [61810-3](#) [61-S](#) [61-SN](#) [626-0194](#) [62-NBM-A](#) [62-SN](#) [62-SP](#) [63-S](#) [640179-1](#) [M55155/059I03](#) [M55155/079C01](#) [M55155/099H02](#) [M55155/109H01](#) [M55155/109H02](#) [M55155/12XH05](#) [M55155/16XH02](#) [M55155/29-5S](#)