

| REVISIONS |     |                       |        |     |      |
|-----------|-----|-----------------------|--------|-----|------|
| P.        | LTN | DESCRIPTION           | DATE   | DMN | APVD |
| J         |     | REV PER ECO 20-008596 | 1-8-21 | CT  | DM   |
|           |     |                       |        |     |      |
|           |     |                       |        |     |      |

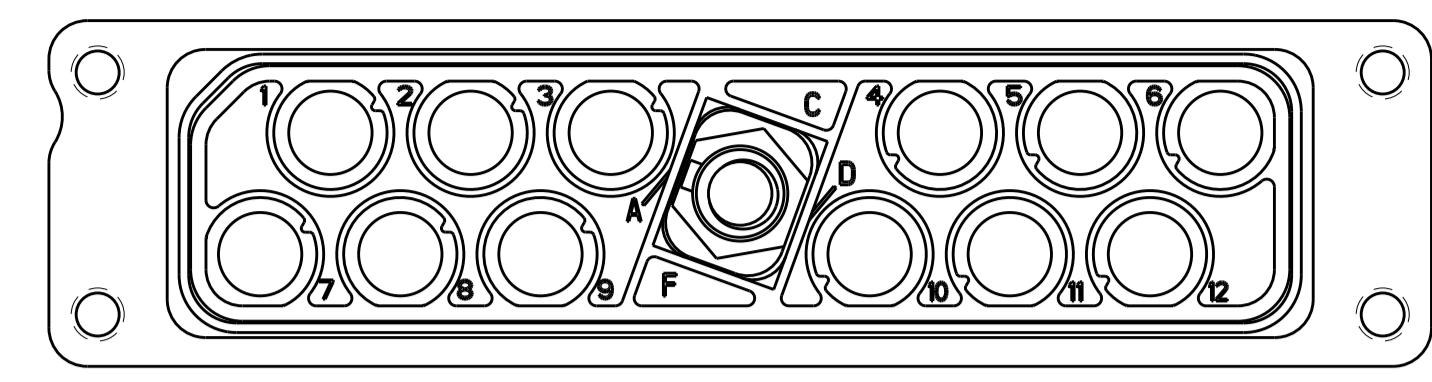


FIGURE 1  
1604799-9 SHOWN  
KEYED IN "A" POSITION

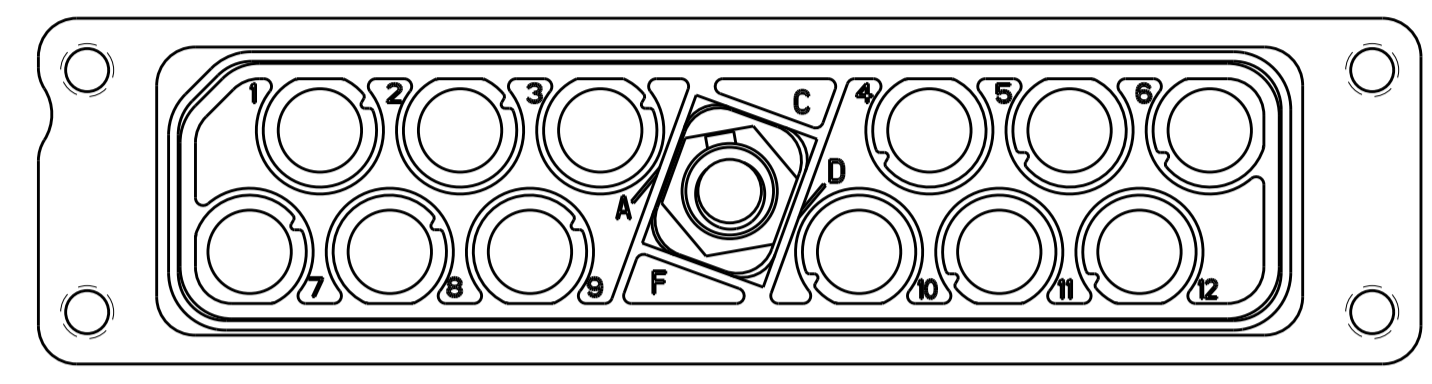


FIGURE 2  
1-1604799-0 SHOWN  
KEYED IN "B" POSITION

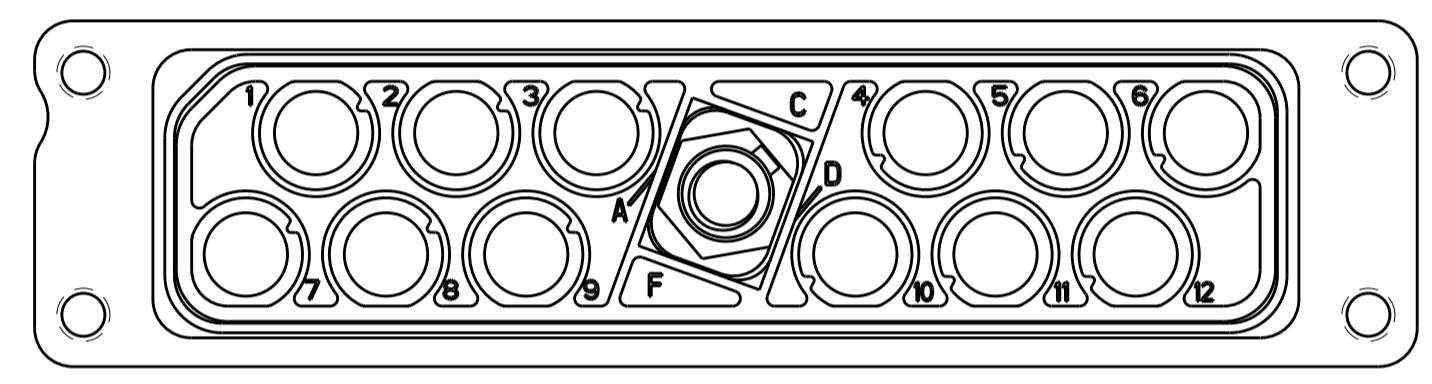


FIGURE 3  
1-1604799-1 SHOWN  
KEYED IN "C" POSITION

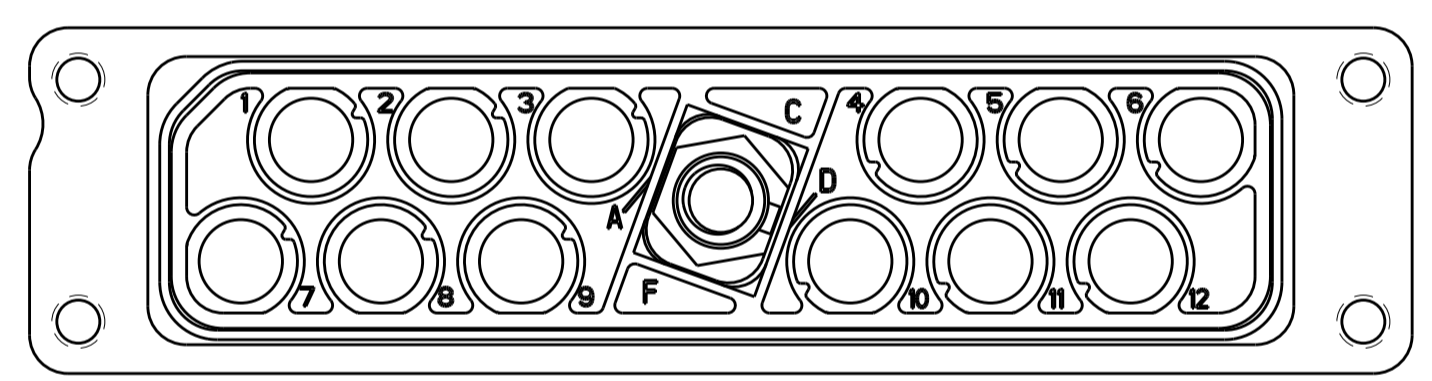


FIGURE 4  
1-1604799-2 SHOWN  
KEYED IN "D" POSITION

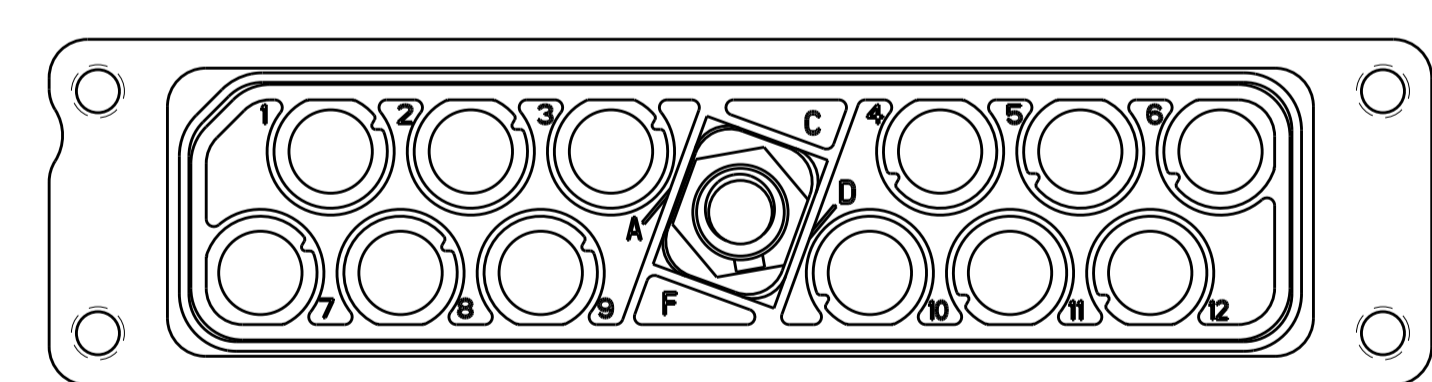


FIGURE 5  
1-1604799-3 SHOWN  
KEYED IN "E" POSITION

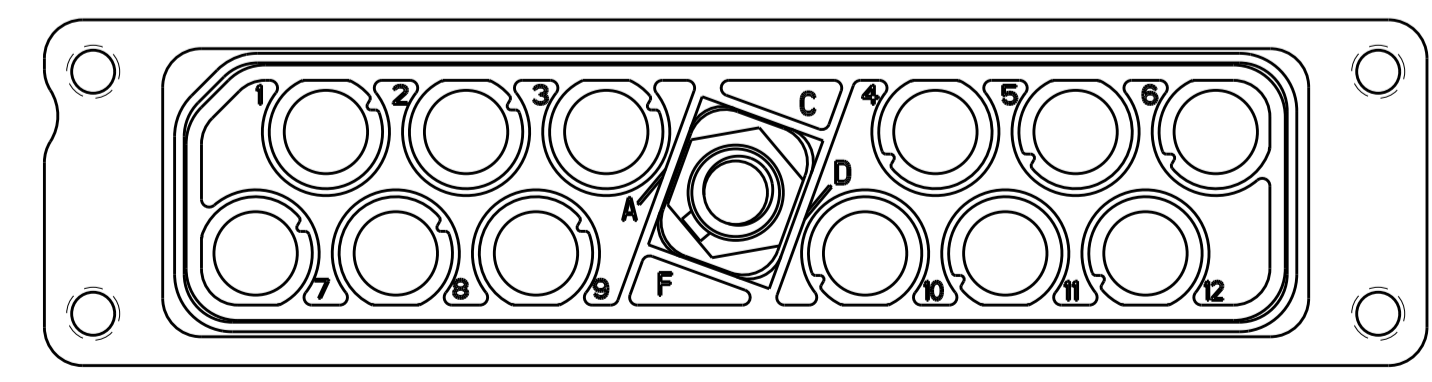


FIGURE 6  
1-1604799-4 SHOWN  
KEYED IN "F" POSITION

- ⚠ TE LOGO, DATE CODE AND TE OR CUSTOMER PART NUMBER (SEE TABLE) MARKED APPROX AS SHOWN ON EITHER SIDE.
- ⚠ JACKPOST KIT IS SHIPPED UNASSEMBLED. KIT IS PACKAGED IN A SEALED BAG.

SUPERSEDED BY 1604799-5

**OBSOLETE**

| REMARKS      | HOUSING FINISH     | RECOMMENDED CONTACT WITH WIRE SEAL (NOT INCLUDED) | CUSTOMER PART NUMBER | DESCRIPTION   | TE PART NO  |
|--------------|--------------------|---|----------------------|---|-------------|
| SEE FIGURE 6 | ELECTROLESS NICKEL | 1445692-4   | BACC65BD12NF         | JACKPOST ASSEMBLED POLARIZATION CODE "F"              | 1-1604799-4 |
| SEE FIGURE 5 | ELECTROLESS NICKEL | 1445692-4   | BACC65BD12NE         | JACKPOST ASSEMBLED POLARIZATION CODE "E"              | 1-1604799-3 |
| SEE FIGURE 4 | ELECTROLESS NICKEL | 1445692-4   | BACC65BD12ND         | JACKPOST ASSEMBLED POLARIZATION CODE "D"              | 1-1604799-2 |
| SEE FIGURE 3 | ELECTROLESS NICKEL | 1445692-4   | BACC65BD12NC         | JACKPOST ASSEMBLED POLARIZATION CODE "C"              | 1-1604799-1 |
| SEE FIGURE 2 | ELECTROLESS NICKEL | 1445692-4   | BACC65BD12NB         | JACKPOST ASSEMBLED POLARIZATION CODE "B"              | 1-1604799-0 |
| SEE FIGURE 1 | ELECTROLESS NICKEL | 1445692-4   | BACC65BD12NA         | JACKPOST ASSEMBLED POLARIZATION CODE "A"              | 1604799-9   |
| ⚠            | ELECTROLESS NICKEL | 1445692-4   | BACC65BD12N          | WITH JACKPOST KIT (FLAT POLARIZATION) (NOT INSTALLED) | 1604799-8   |
| ⚠            | ELECTROLESS NICKEL | 1445692-3   | ---                  | WITH JACKPOST KIT (FLAT POLARIZATION) (NOT INSTALLED) | 1604799-7   |
| ⚠            | ELECTROLESS NICKEL | 1445692-3   | ---                  | WITH JACKPOST KIT (FLAT POLARIZATION) (NOT INSTALLED) | 1604799-5   |
| ⚠            | BLACK ANODIZED     | 1445692-4   | BACC65BD12A          | WITH JACKPOST KIT (FLAT POLARIZATION) (NOT INSTALLED) | 1604799-4   |

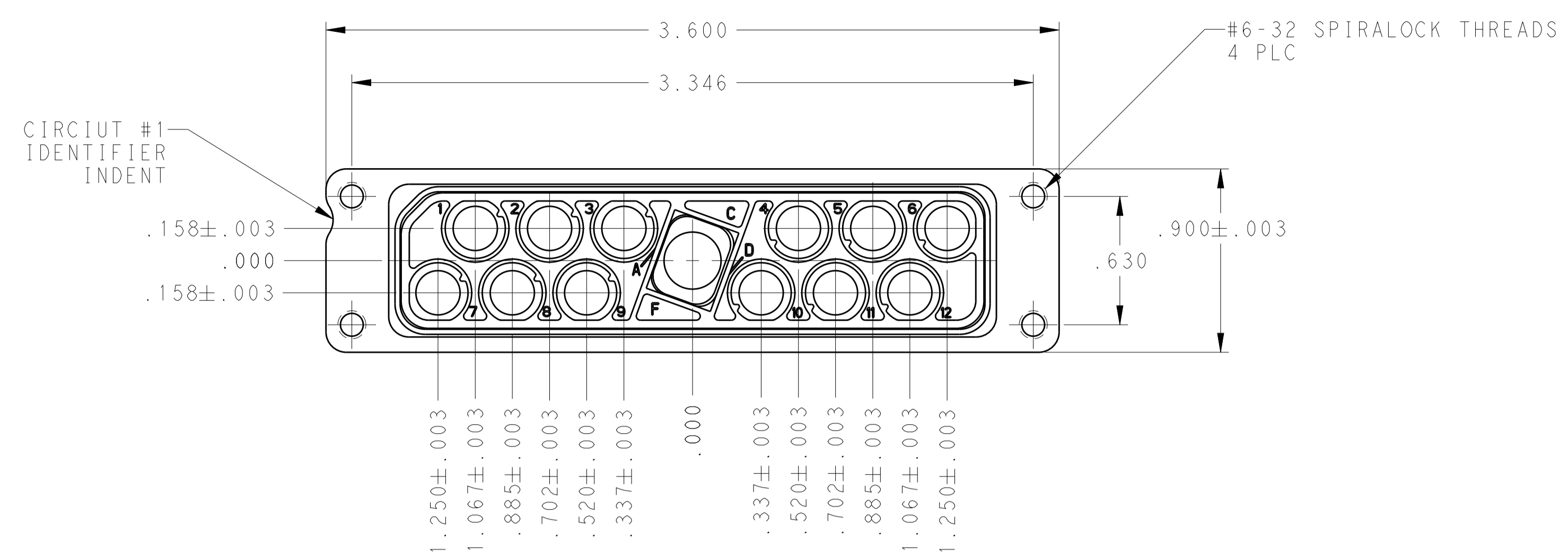
THIS DRAWING IS A CONTROLLED DOCUMENT. DIMENSIONS: INCHES. TOLERANCES UNLESS OTHERWISE SPECIFIED: 0 PLC ±. 1 PLC ±. 2 PLC ±. 3 PLC ±. 4 PLC ±. ANGLES ±. FINISH SEE CALLOUTS. MATERIAL SEE CALLOUTS.

DMN: C.C. THOMAS 29NOV2010. CHK: D. MILLER 29NOV2010. APVD: D. MILLER 29NOV2010.

**TE** TE Connectivity

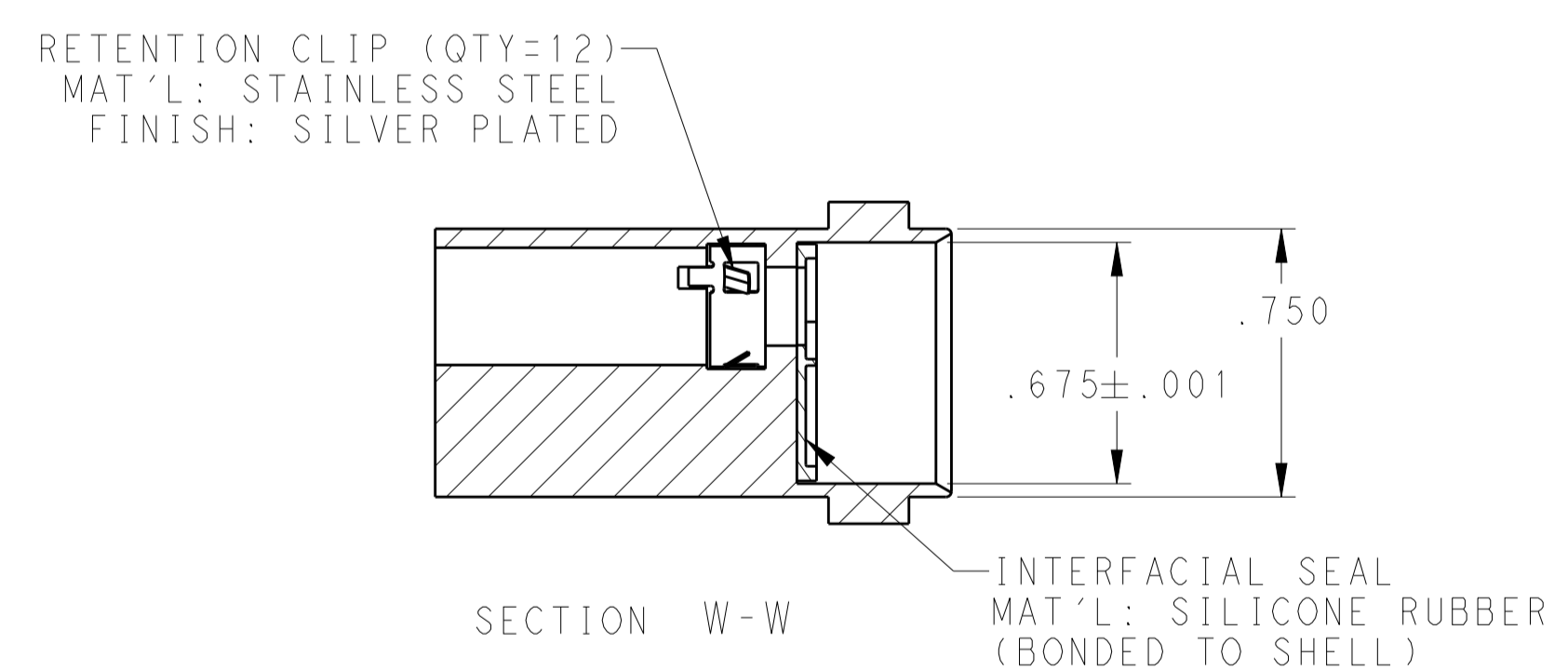
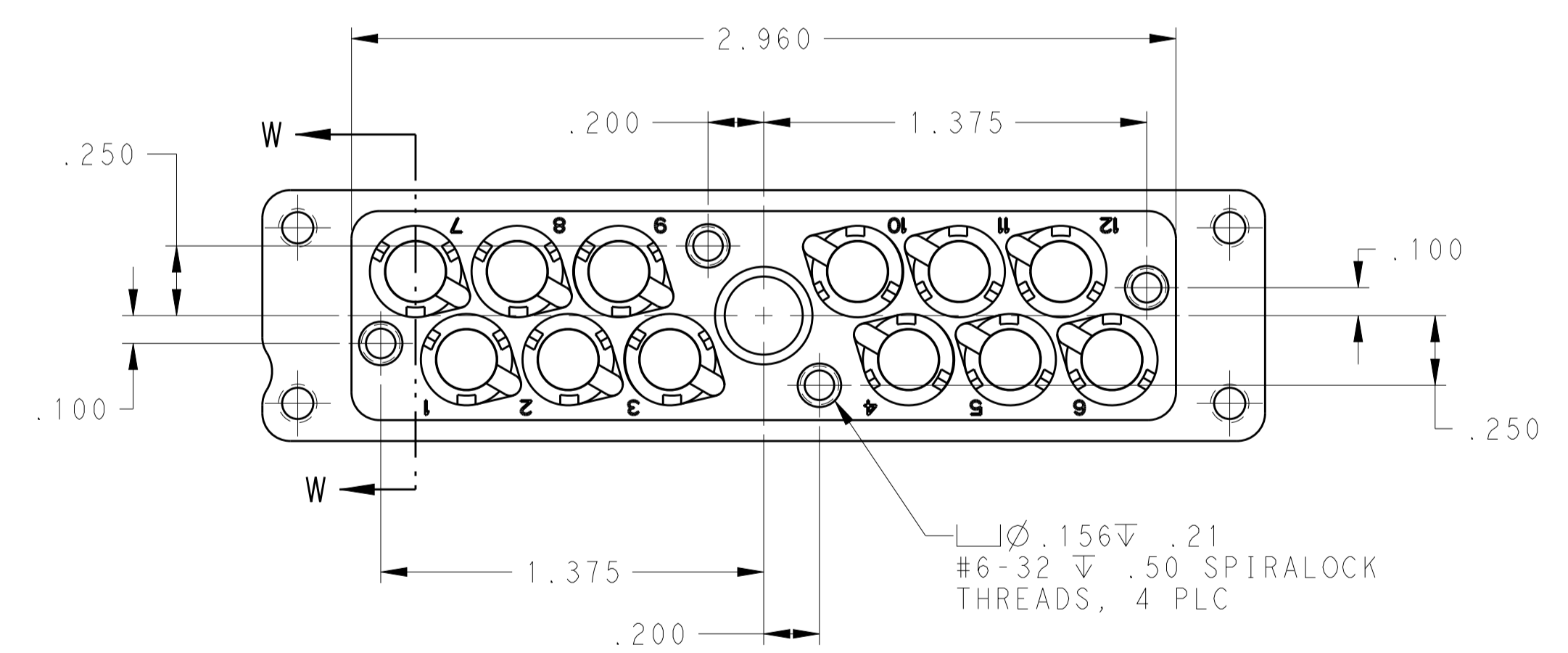
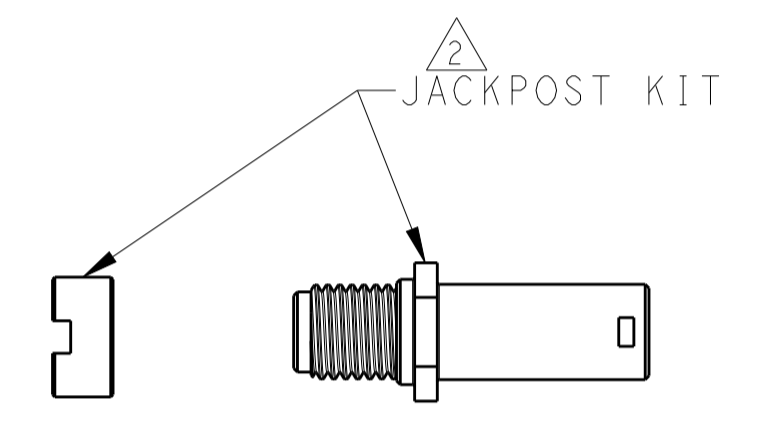
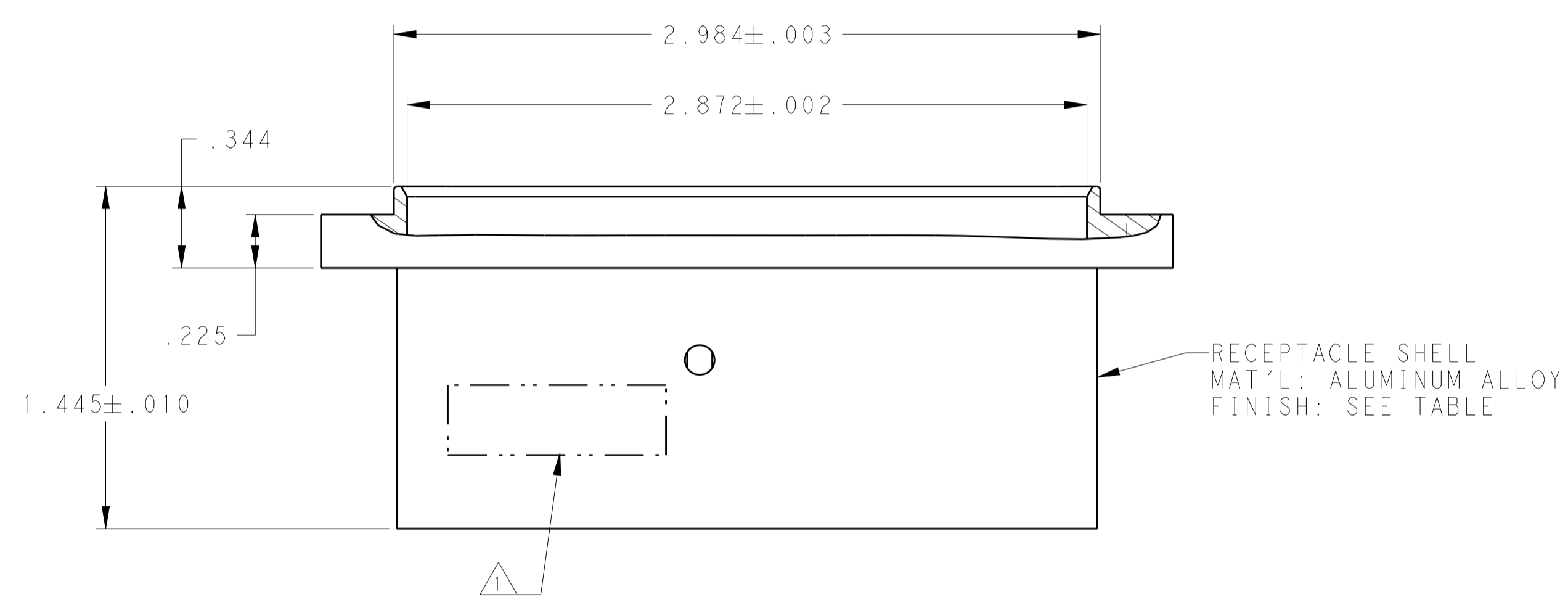
NAME: RECEPTACLE ASSY, QUADRAX, PANEL MOUNT RR/RR, 12 POSITION. SIZE: A100779. CAGE CODE: 1604799. DRAWING NO: 1604799. SCALE: 2:1. SHEET 1 OF 2. REV J.

| REVISIONS |      |              |      |       |
|-----------|------|--------------|------|-------|
| P.        | LTN. | DESCRIPTION  | DATE | APVD. |
| -         | -    | SEE SHEET #1 | -    | -     |
|           |      |              |      |       |
|           |      |              |      |       |



**RCPT  
 1604996-X  
 CONDUCTIVE**

DUST COVER  
 (INSTALLED FOR SHIPPING)



|  |                      |                            |  |
|--|----------------------|----------------------------|--|
| THIS DRAWING IS A CONTROLLED DOCUMENT. |                      | DWN: C.C. THOMAS 29NOV2010 | TE Connectivity  |
| DIMENSIONS: INCHES                     |                      | CHK: D. MILLER 29NOV2010   |  |
| TOLERANCES UNLESS OTHERWISE SPECIFIED: |                      | APVD: D. MILLER 29NOV2010  | NAME: RECEPTACLE ASSY, QUADRAX, PANEL MOUNT RR/RR, 12 POSITION |
| 0 PLC ±                                | 1 PLC ±              | PRODUCT SPEC               | APPLICATION SPEC   |
| 2 PLC ±                                | 3 PLC ±              | APPLIC. SPEC               | RESTRICTED TO  |
| 4 PLC ±                                | ANGLES ±             | WEIGHT                     | SIZE: A100779  |
| MATERIAL: SEE CALLOUTS                 | FINISH: SEE CALLOUTS | CUSTOMER DRAWING           | SCALE: 2:1 SHEET 2 OF 2 REV J                                  |

## X-ON Electronics

Largest Supplier of Electrical and Electronic Components

*Click to view similar products for [Rack & Panel Connectors](#) category:*

*Click to view products by [TE Connectivity](#) manufacturer:*

Other Similar products are found below :

[00171410002](#) [00171420202](#) [00171440002](#) [02-014-013-5200-000](#) [613467-000](#) [CTJ112E01E-513](#) [CTJ116E03A-513](#) [66020-2](#) [CW8958-000](#)  
[699886-000](#) [D250-50632](#) [70.400.3240.0](#) [70.955.2453.3](#) [733753-000](#) [F22831-000](#) [780-522-DPX34RG8-02](#) [8660-501](#) [87.060.0053.0](#)  
[900709N001](#) [928358-1](#) [D-659-0061](#) [1-445717-6](#) [1484469-2](#) [1604997-2](#) [MTC100-BF1-P31CS015](#) [MTC100-KT2-0083](#) [MTC100-KT2-0123-](#)  
[003](#) [MTC100-YA1-005](#) [MTCQKT1R2PGCA](#) [MTCR-103-04S](#) [MTCX1X-100-100CS025](#) [1738331-1](#) [1757667-1](#) [1811481-1](#) [1883433-1](#)  
[201046-7](#) [202648-4](#) [213364-1](#) [226503-000](#) [937028-164](#) [1663130-2](#) [172305-4](#) [F36711-000](#) [202355-2](#) [202356-2](#) [G16S-A](#) [G20S-AB](#) [CHA-](#)  
[0017-003](#) [CHA-0296](#) [354654-000](#)