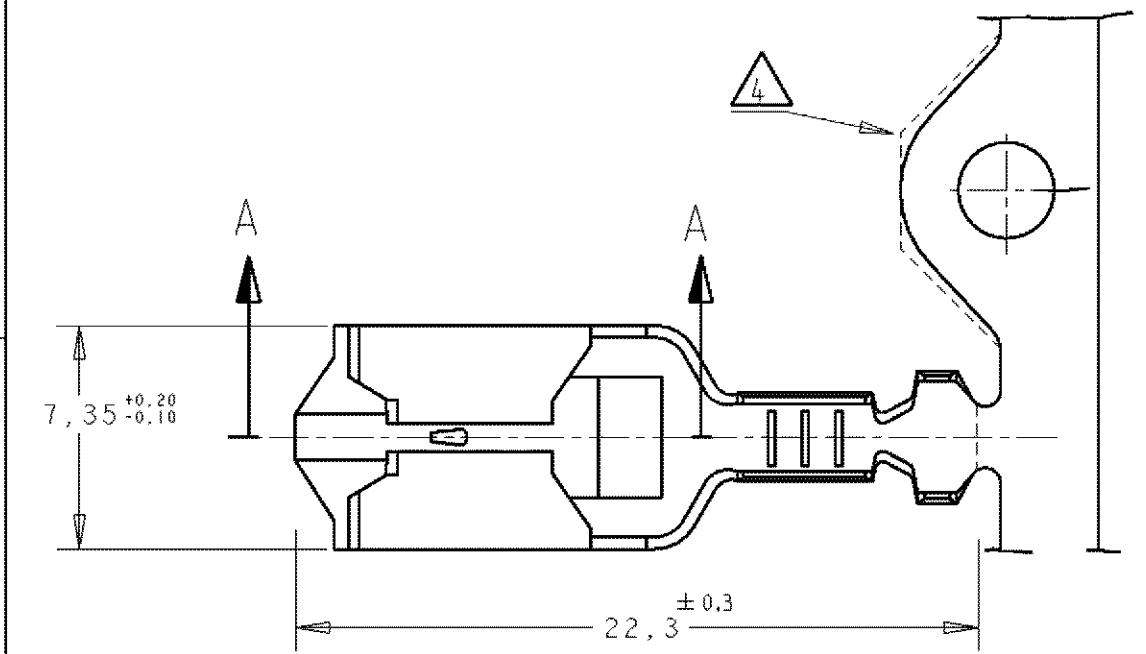
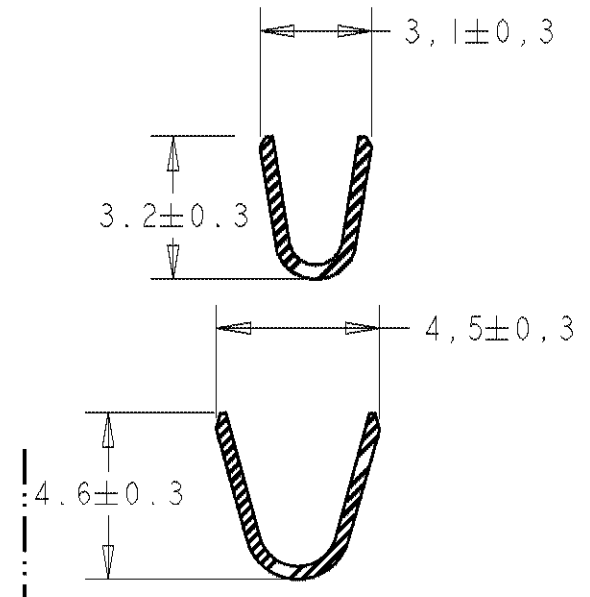
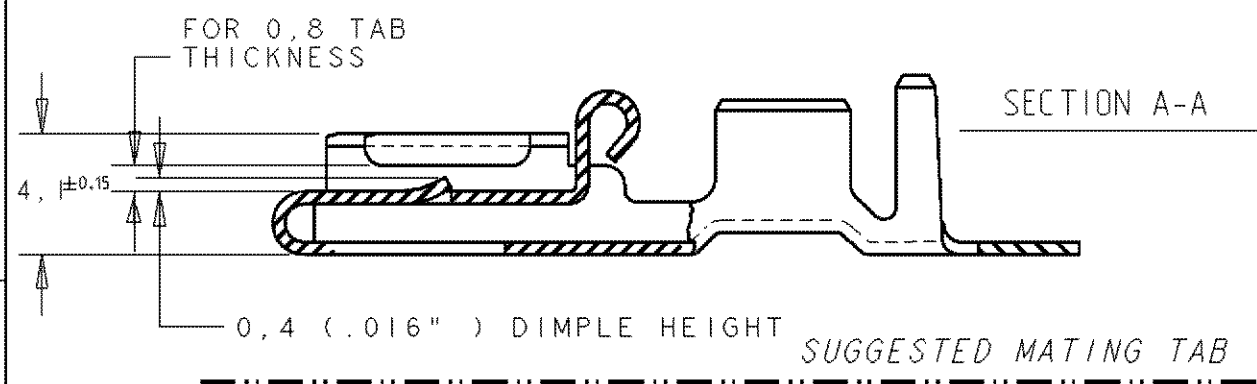
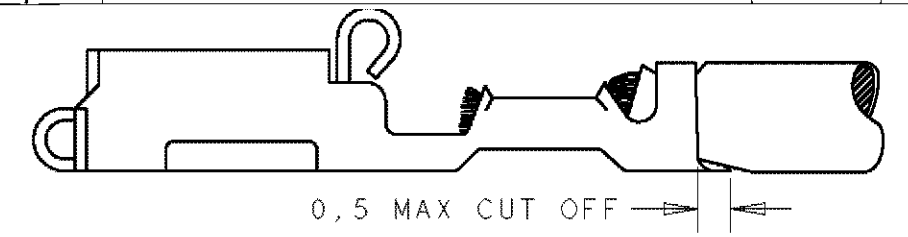


THIS DRAWING IS UNPUBLISHED. RELEASED FOR PUBLICATION 20
 © COPYRIGHT 20 BY TYCO ELECTRONICS CORPORATION. ALL RIGHTS RESERVED.

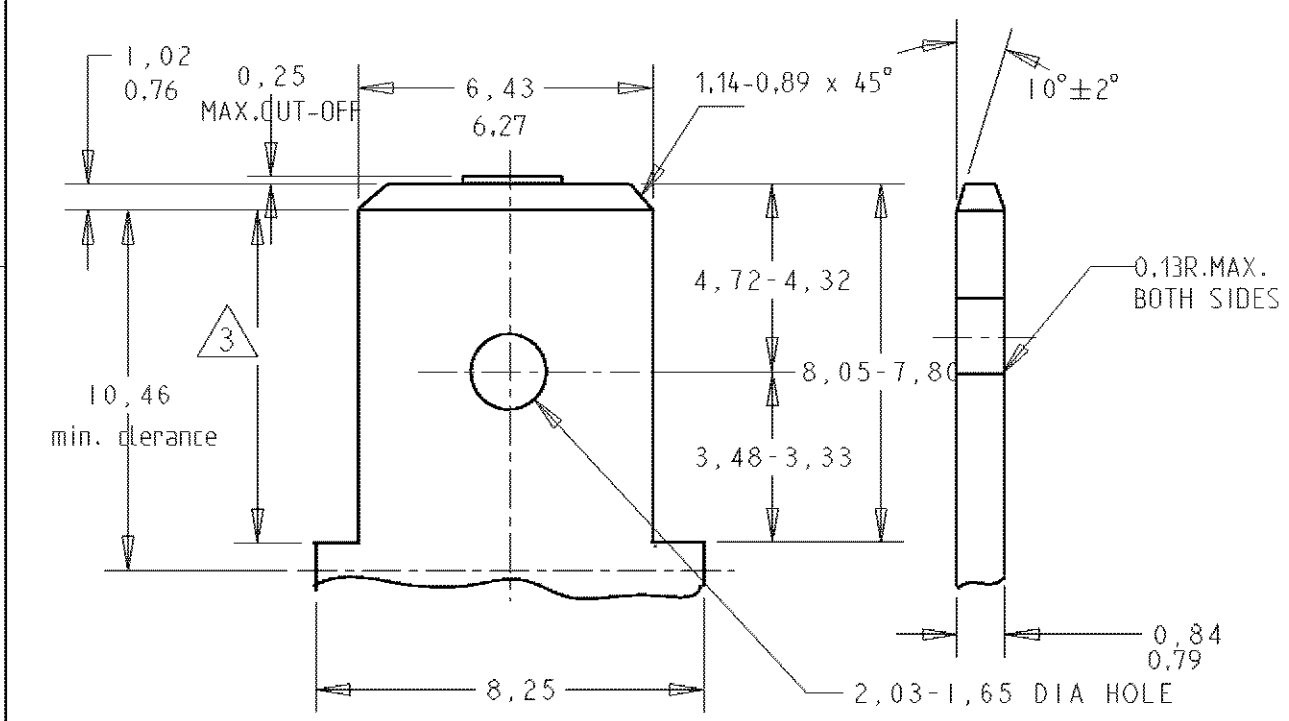
| LOC | DIST | REVISIONS | | | |
|-----|------|-------------|------------------------------|-----------|-----------|
| P | LTR | DESCRIPTION | DATE | DWN | APVD |
| AL | 2 | AC | REVISED BY ES00-0040-02 | 02APR02 | J.L J.L |
| | | AD | REVISED BY ES00-05-0095 | 14/DEC/05 | J.L JL |
| | | AD1 | REVISED PER ECO-10-000444 | 09JAN10 | KK AEG |
| | | AD2 | ECR-10-009742 | 29JUN10 | RK SRE |
| | | AD3 | ADDED NEW DASH 3-160759-4 | 22MAR11 | J.S. L.B. |
| | | AD4 | UPDATED TE CONNECTIVITY LOGO | 04APR2011 | J.S. L.B. |



- NOTES:
- 1 FOR USE ON STANDARD APPLICATOR (RIGHT-LEFT FEED)
 - 2 FOR USE ON MINIATURE APPLICATOR (LEFT-RIGHT FEED)
 - 3 FOR USE ON MINIATURE APPLICATOR (LEFT-RIGHT FEED) AMPOMATOR APPLICATION.
 - 4 CONFIGURATION OF CARRIER-STRIP OPTIONAL
 - 5 OBSOLETE PARTS: OBSOLETE CIS STREAMLINING PER D.RENAUD/D.SINISI



- SUGGESTED MATING TAB
- 1- MATL. 1/2H BRASS OR NICKEL PL. STEEL.
 - 2- NO BURRS PERMISSIBLE AT HOLE
 - 3 - MUST BE FLAT WITHIN 0.076 OVER THIS LENG.
 - 4- TIN PLATING IS REQUIRED ON BRASS WHEN TERMINAL TEM. IS OVER 225°F
 - 5- HOLE MUST BE SYMETRICAL ABOUT TAB ϕ WITHIN 0.076



| FINISH | MATERIAL | PARTNUMBER |
|---------------------------------|---------------|------------|
| UNPLATED & DEGREASED | NICKEL SILVER | 3-160759-4 |
| UNPLATED | NICKEL SILVER | 3-160759-3 |
| OBSELETE UNPLATED | NICKEL SILVER | 3-160759-3 |
| TIN PLATED | PH.BRONZE | 3-160759-0 |
| UNPLATED | NICKEL SILVER | 2-160759-9 |
| OBSELETE HOT DIP PRETIN. | PH.BRONZE | 2-160759-8 |
| SUPERSEDED BY 160759-4 TIN-LEAD | PH.BRONZE | 2-160759-7 |
| OBSELETE SILVERPLATED | BRASS | 2-160759-6 |
| OBSELETE UNPLATED | BRASS | 2-160759-5 |
| OBSELETE HOT DIP PRETIN. | BRASS | 2-160759-4 |
| TIN PLATED | BRASS | 2-160759-3 |
| NICKEL PLATED | PH.BRONZE | 2-160759-2 |
| NICKEL PLATED | PH.BRONZE | 2-160759-1 |
| OBSELETE SILVERPLATED | PH.BRONZE | 2-160759-0 |
| SILVERPLATED | PH.BRONZE | 1-160759-9 |
| HOT DIP PRETIN. | PH.BRONZE | 1-160759-4 |
| OBSELETE HOT DIP PRETIN. | BRASS | 1-160759-3 |
| HOT DIP PRETIN. | PH.BRONZE | 1-160759-2 |
| HOT DIP PRETIN. | BRASS | 1-160759-1 |
| OBSELETE PRETINNED | PH.BRONZE | 1-160759-0 |
| OBSELETE TIN PLATED | PH.BRONZE | 0-160759-9 |
| OBSELETE TIN PLATED | BRASS | 0-160759-8 |
| UNPLATED | PH.BRONZE | 0-160759-7 |
| UNPLATED | BRASS | 0-160759-6 |
| OBSELETE PRETINNED | PH.BRONZE | 0-160759-5 |
| TIN PLATED | PH.BRONZE | 0-160759-4 |
| TIN PLATED | BRASS | 0-160759-3 |
| UNPLATED | PH.BRONZE | 0-160759-2 |
| UNPLATED | BRASS | 0-160759-1 |

THIS DRAWING IS A CONTROLLED DOCUMENT FOR TYCO ELECTRONICS CORPORATION IT IS SUBJECT TO CHANGE AND THE CONTROLLING ENGINEERING ORGANIZATION SHOULD BE CONTACTED FOR THE LATEST REVISION.

| | |
|-------------|--|
| DIMENSIONS: | TOLERANCES UNLESS OTHERWISE SPECIFIED: |
| mm | 0 PLC ± |
| | 1 PLC ± |
| | 2 PLC ±0.3 GENERAL |
| | 3 PLC ± |
| | 4 PLC ± |
| | ANGLES ± |
| MATERIAL | FINISH |
| SEE TABLE | SEE TABLE |

| | | |
|------------------|-----------|----------|
| DWN | J.Z | 16-11-95 |
| CHR | A. BIJNEN | 17-11-95 |
| APVD | - | - |
| PRODUCT SPEC | 108-3017 | |
| APPLICATION SPEC | - | |
| WEIGHT | - | |
| CUSTOMER DRAWING | | |

STE
TE Connectivity

NAME
POSITIVE LOCK REC.
.250 (6,35) SERIES

| | | | |
|------|-----------|------------|---------------|
| SIZE | CAGE CODE | DRAWING NO | RESTRICTED TO |
| A3 | 00779 | C=160759 | - |

SCALE - SHEET OF REV AD4

X-ON Electronics

Largest Supplier of Electrical and Electronic Components

Click to view similar products for [Terminals](#) category:

Click to view products by [TE Connectivity](#) manufacturer:

Other Similar products are found below :

[00-054007-01074-6](#) [00-054007-70206-1](#) [00-054007-70210-8](#) [00-054007-70217-7](#) [00-054007-70226-9](#) [00-054007-70228-3](#) [00-054007-70248-1](#) [00-054007-70256-6](#) [00-054007-70301-3](#) [00-054007-70316-7](#) [0-0320562-0](#) [00-054007-49560-4](#) [00-054007-70209-2](#) [00-054007-70225-2](#) [00-054007-70227-6](#) [00-054007-70231-3](#) [00-054007-70241-2](#) [00-054007-70242-9](#) [00-054007-70244-3](#) [00-054007-70246-7](#) [00-054007-70263-4](#) [00-054007-70288-7](#) [00-054007-70290-0](#) [00-054007-70300-6](#) [00-054007-70304-4](#) [01-2065-1-0216](#) [01-2900-1-04412](#) [00581P0075](#) [600TS-10](#) [60205-1](#) [604200-1](#) [605601-1](#) [60598-1-CUT-TAPE](#) [61314-6-C](#) [61810-3](#) [61-S](#) [61-SN](#) [626-0194](#) [62-NBM-A](#) [62-SN](#) [62-SP](#) [63-S](#) [640179-1](#) [M55155/059I03](#) [M55155/079C01](#) [M55155/099H02](#) [M55155/109H01](#) [M55155/109H02](#) [M55155/12XH05](#) [M55155/16XH02](#)