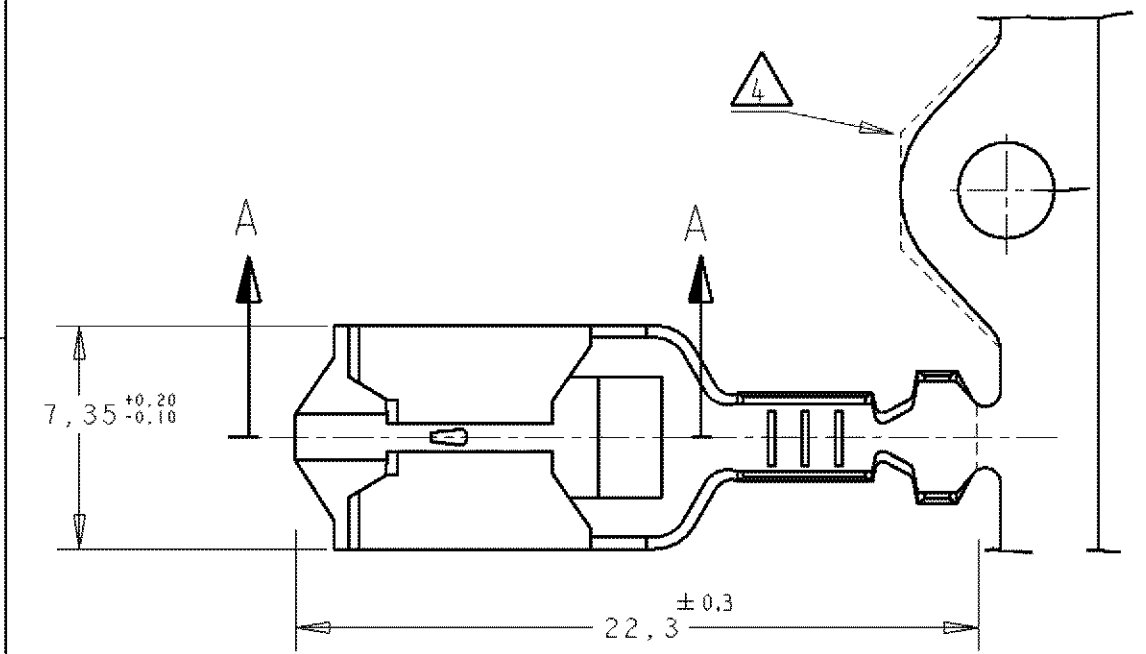


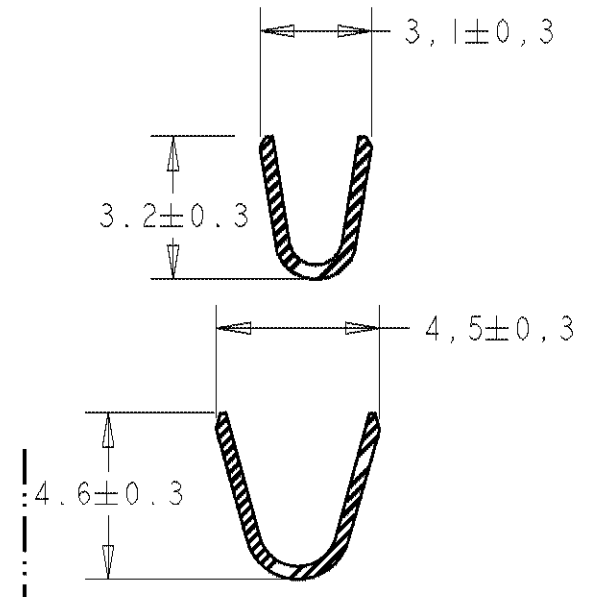
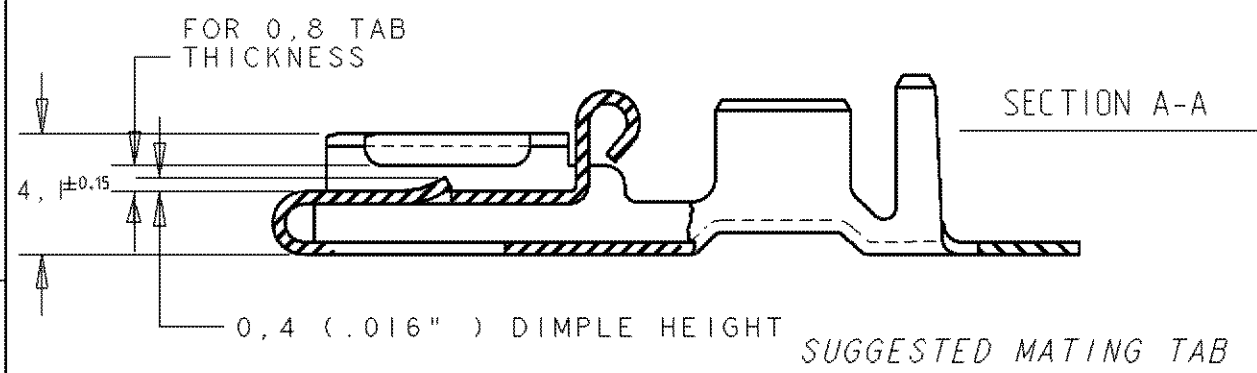
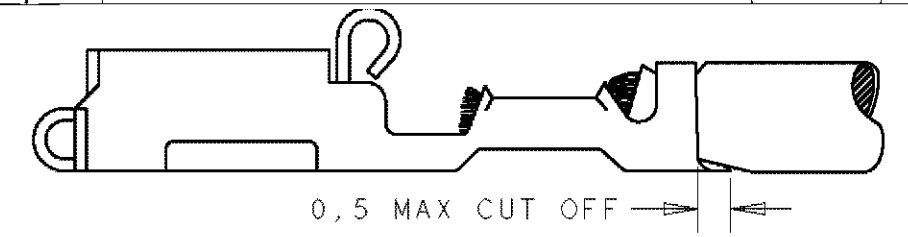
THIS DRAWING IS UNPUBLISHED. RELEASED FOR PUBLICATION 20
 © COPYRIGHT 20 BY TYCO ELECTRONICS CORPORATION. ALL RIGHTS RESERVED.

LOC	DIST	REVISIONS					
AL	2	P	LTR	DESCRIPTION	DATE	DWN	APVD
			AC	REVISED BY ES00-0040-02	02APR02	J.L	J.L
			AD	REVISED BY ES00-05-0095	14/DEC/05	J.L	JL
			AD1	REVISED PER ECO-10-000444	09JAN10	KK	AEG
			AD2	ECR-10-009742	29JUN10	RK	SRE
			AD3	ADDED NEW DASH 3-160759-4	22MAR11	J.S.	L.B.
			AD4	UPDATED TE CONNECTIVITY LOGO	04APR2011	J.S.	L.B.

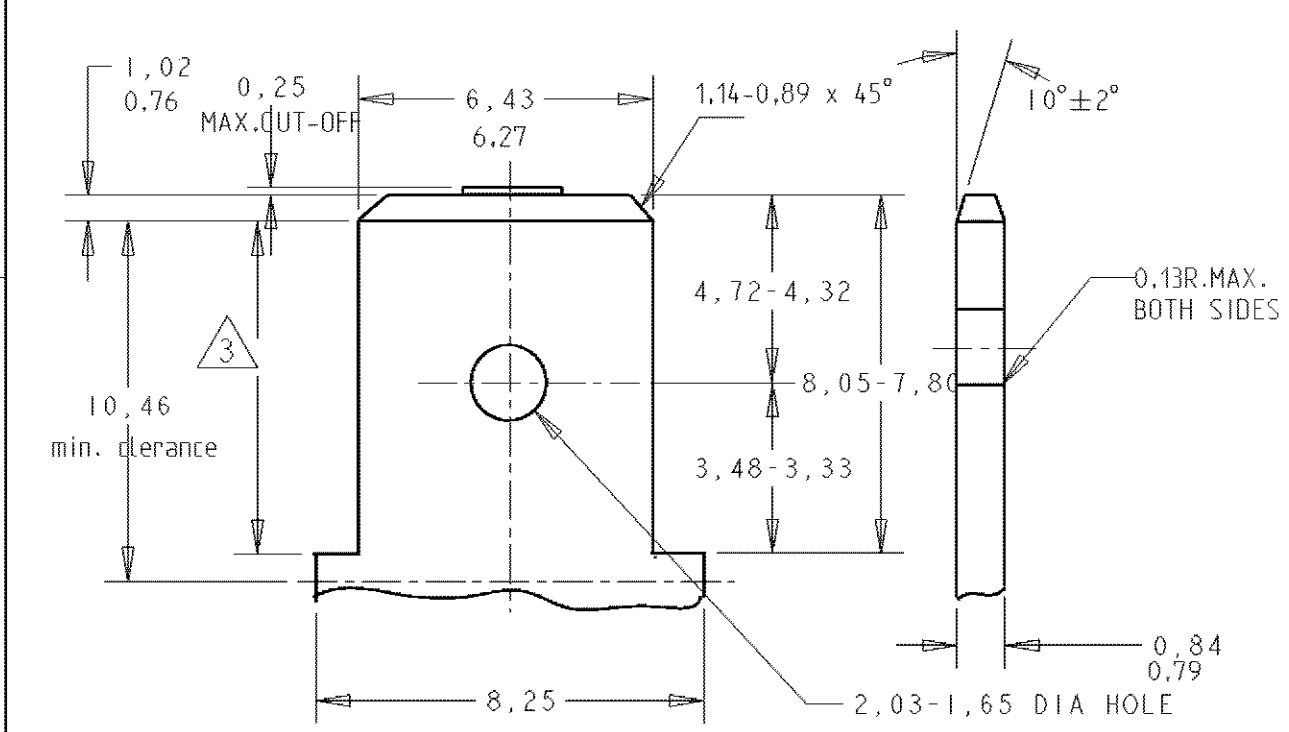


NOTES:

- 1 FOR USE ON STANDARD APPLICATOR (RIGHT-LEFT FEED)
- 2 FOR USE ON MINIATURE APPLICATOR (LEFT-RIGHT FEED)
- 3 FOR USE ON MINIATURE APPLICATOR (LEFT-RIGHT FEED) AMPOMATOR APPLICATION.
- 4 CONFIGURATION OF CARRIER-STRIP OPTIONAL
- 5 OBSOLETE PARTS: OBSOLETE CIS STREAMLINING PER D.RENAUD/D.SINISI



- SUGGESTED MATING TAB
- 1- MATL 1/2H BRASS OR NICKEL PL. STEEL.
 - 2- NO BURRS PERMISSIBLE AT HOLE
 - 3- MUST BE FLAT WITHIN 0.076 OVER THIS LENG.
 - 4- TIN PLATING IS REQUIRED ON BRASS WHEN TERMINAL TEM. IS OVER 225°F
 - 5- HOLE MUST BE SYMETRICAL ABOUT TAB ϕ WITHIN 0.076



FINISH	MATERIAL	PARTNUMBER	
UNPLATED & DEGREASED	NICKEL SILVER	3-160759-4	
UNPLATED	NICKEL SILVER	3-160759-3	
OBSELETE	NICKEL SILVER	3-160759-3	
TIN PLATED	PH.BRONZE	3-160759-0	
UNPLATED	NICKEL SILVER	2-160759-9	
OBSELETE	HOT DIP PRETIN.	PH.BRONZE	2-160759-8
SUPERSEDED BY 160759-4	TIN-LEAD	PH.BRONZE	2-160759-7
OBSELETE	SILVERPLATED	BRASS	2-160759-6
OBSELETE	UNPLATED	BRASS	2-160759-5
OBSELETE	HOT DIP PRETIN.	BRASS	2-160759-4
OBSELETE	TIN PLATED	BRASS	2-160759-3
OBSELETE	NICKEL PLATED	PH.BRONZE	2-160759-2
OBSELETE	NICKEL PLATED	PH.BRONZE	2-160759-1
OBSELETE	SILVERPLATED	PH.BRONZE	2-160759-0
OBSELETE	SILVERPLATED	PH.BRONZE	1-160759-9
OBSELETE	HOT DIP PRETIN.	PH.BRONZE	1-160759-4
OBSELETE	HOT DIP PRETIN.	BRASS	1-160759-3
OBSELETE	HOT DIP PRETIN.	PH.BRONZE	1-160759-2
OBSELETE	HOT DIP PRETIN.	BRASS	1-160759-1
OBSELETE	PRETINNED	PH.BRONZE	1-160759-0
OBSELETE	TIN PLATED	PH.BRONZE	0-160759-9
OBSELETE	TIN PLATED	BRASS	0-160759-8
OBSELETE	UNPLATED	PH.BRONZE	0-160759-7
OBSELETE	UNPLATED	BRASS	0-160759-6
OBSELETE	PRETINNED	PH.BRONZE	0-160759-5
OBSELETE	TIN PLATED	PH.BRONZE	0-160759-4
OBSELETE	TIN PLATED	BRASS	0-160759-3
OBSELETE	UNPLATED	PH.BRONZE	0-160759-2
OBSELETE	UNPLATED	BRASS	0-160759-1

THIS DRAWING IS A CONTROLLED DOCUMENT FOR TYCO ELECTRONICS CORPORATION IT IS SUBJECT TO CHANGE AND THE CONTROLLING ENGINEERING ORGANIZATION SHOULD BE CONTACTED FOR THE LATEST REVISION.

DIMENSIONS:	TOLERANCES UNLESS OTHERWISE SPECIFIED:
mm	0 PLC ±
	1 PLC ±
	2 PLC ±0,3 GENERAL
	3 PLC ±
	4 PLC ±
	ANGLES ±
MATERIAL	FINISH
SEE TABLE	SEE TABLE

DWN	J.Z	16-11-95	
CHR	A. BIJNEN	17-11-95	
APVD	-	-	NAME
PRODUCT SPEC	108-3017	-	POSITIVE LOCK REC. .250 (6,35) SERIES
APPLICATION SPEC	-	-	RESTRICTED TO
WEIGHT	-	-	SIZE
CUSTOMER DRAWING	A3	00779	CAGE CODE
SCALE	-	-	DRAWING NO
SHEET	-	-	160759
OF	-	-	REV
AD4	-	-	

X-ON Electronics

Largest Supplier of Electrical and Electronic Components

Click to view similar products for [Terminals](#) category:

Click to view products by [TE Connectivity](#) manufacturer:

Other Similar products are found below :

[00-054007-01074-6](#) [00-054007-70206-1](#) [00-054007-70210-8](#) [00-054007-70217-7](#) [00-054007-70226-9](#) [00-054007-70228-3](#) [00-054007-70248-1](#) [00-054007-70256-6](#) [00-054007-70301-3](#) [00-054007-70316-7](#) [00-054007-49560-4](#) [00-054007-70209-2](#) [00-054007-70225-2](#) [00-054007-70227-6](#) [00-054007-70231-3](#) [00-054007-70241-2](#) [00-054007-70242-9](#) [00-054007-70244-3](#) [00-054007-70246-7](#) [00-054007-70263-4](#) [00-054007-70288-7](#) [00-054007-70290-0](#) [00-054007-70300-6](#) [00-054007-70304-4](#) [01-2065-1-0216](#) [01-2900-1-04412](#) [00581P0075](#) [600TS-10](#) [60205-1](#) [604200-1](#) [605601-1](#) [60598-1-CUT-TAPE](#) [61314-6-C](#) [61810-3](#) [61-S](#) [61-SN](#) [626-0194](#) [62-NBM-A](#) [62-SN](#) [62-SP](#) [63-S](#) [640179-1](#) [M55155/059I03](#) [M55155/079C01](#) [M55155/099H02](#) [M55155/109H01](#) [M55155/109H02](#) [M55155/12XH05](#) [M55155/16XH02](#) [M55155/29-5S](#)