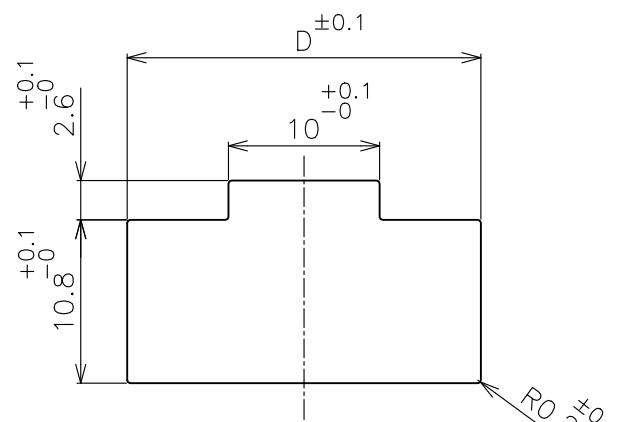
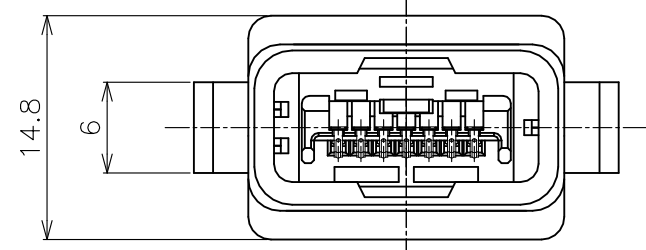
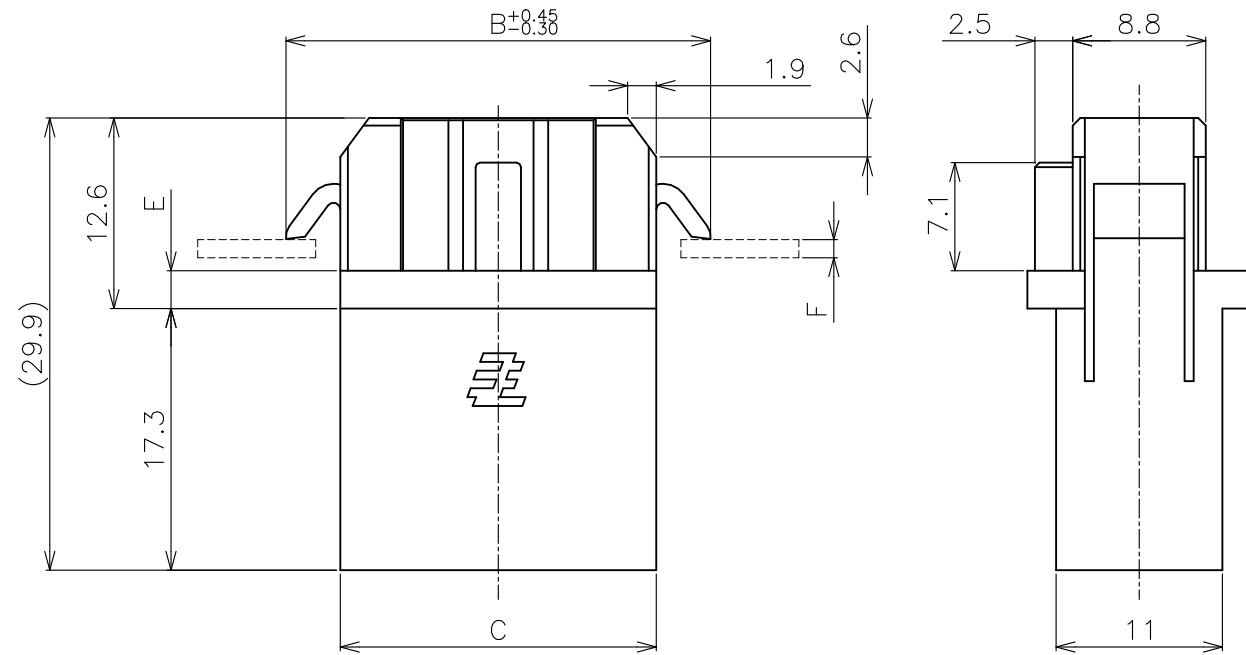
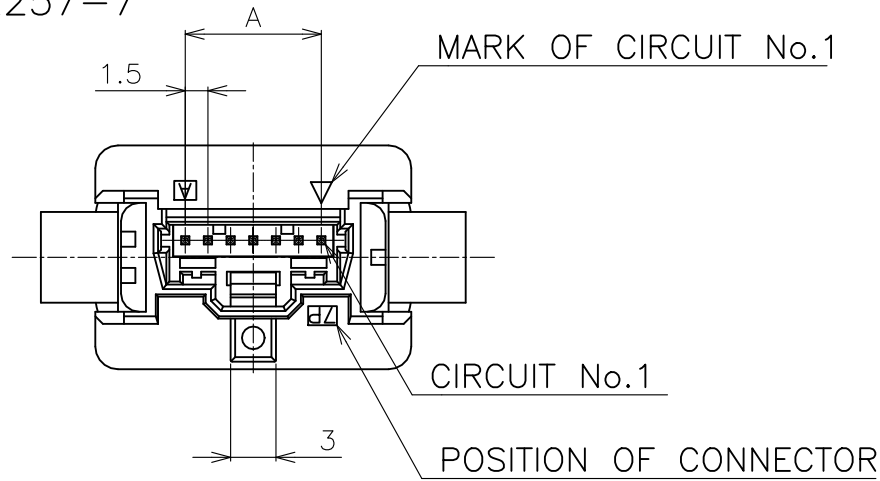


AS SHOWN : 1612257-7



PANEL CUTOUT DIMENSION

REVISIONS					
P	LTR	DESCRIPTION	DATE	DWN	APVD
E1		REVISED ECR-20-002472	10MAR2020	J.J	W.H

NOTES:

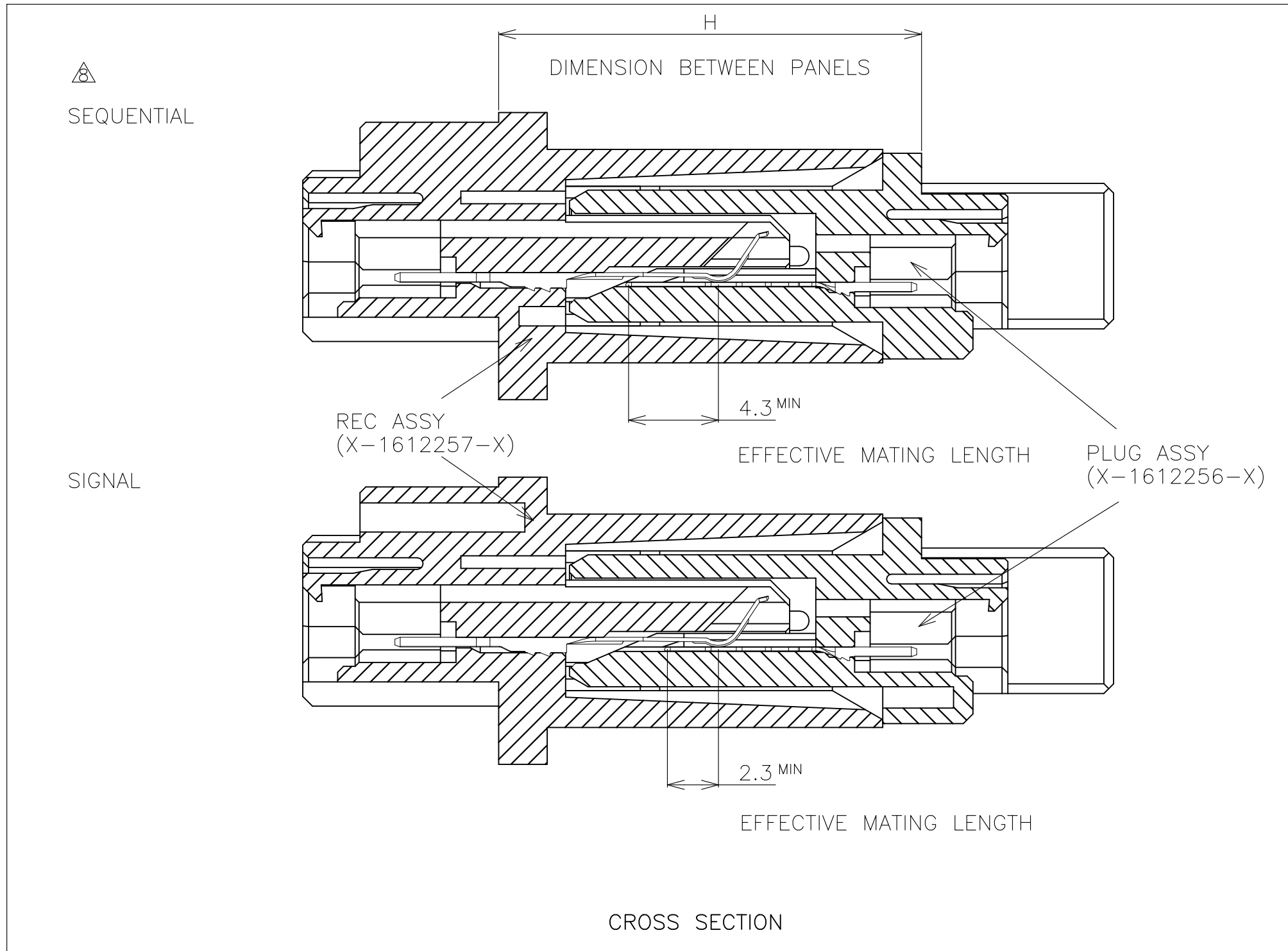
- USE WITH MINI CT MT TYPE P/N : X-353293-X (ASSY)
CRIMP TYPE P/N : 353907-1 (CONTACT)
353907-1(L/P) (CONTACT)
X-353908-X (HOUSING)
- MATERIAL HOUSING : PBT G.F. UL94 V-0, COLOR: BLACK
CONTACT : COPPER ALLOY
- FINISH CONTACT : NICKEL UNDER PLATED ALL OVER
CONTACT AREA : GOLD PLATED
POST AREA : Sn 100% PLATED
- THE PANEL SHOULD BE PUNCHED SO THAT THE HOUSING ENTERS THE PANEL IN THE SAME DIRECTION AS PUNCH.
- FLOATING DIMENSION : 0.5 MAX
(INCLUDE THE AMOUNT OF AXIAL GAPS)
- DIMENSION BETWEEN PANELS MUST BE SET 21.8-22.8mm.
(INCLUDE THE CLEARANCE BETWEEN CONNECTOR AND PANEL)
- GENERAL TOLERANCE
10 > : ±0.2
30 > : >10: ±0.25
100 > : >30: ±0.3
ANGLES: ±3°
- SEQUENTIAL CIRCUIT NO. IS REFERRED CUSTOMER DRAWING : 1612256.

1-1612256-4		1.0 ±0.1		33.9	31.4	38.6	19.5	14	2-1612257-4	
1-1612256-4				33.9	31.4	38.6	19.5	14	1-1612257-4	
1-1612256-2	21.8 ⚠	2.0 ±0.1	2.5	30.9	28.4	35.6	16.5	12	1-1612257-2	
1-1612256-0				27.9	25.4	32.6	13.5	10	1-1612257-0	
1612256-7				23.4	20.9	28.1	9.0	7	1612257-7	
COUNTER MATING CONNECTOR P/N	G	F	E	D	C	B	A	POS.	P/N	
	DIMENSION BETWEEN PANELS		APPLIED PANEL THICKNESS	DIMENSIONS						

THIS DRAWING IS A CONTROLLED DOCUMENT.		DWN H.HOSHINO 05AUG02	TE Connectivity Ltd.					
		CHK T.KUSUHARA 05AUG02						
		APVD I.ENOMOTO 05AUG02	NAME					
DIMENSIONS: MM		PRODUCT SPEC 108-5836		RECEPTACLE ASSEMBLY MINI CT DC DRAWER SNAP-FIT SINGLE ROW				
TOLERANCES UNLESS OTHERWISE SPECIFIED: 0 PLC ± 1 PLC ± 2 PLC ± 3 PLC ± 4 PLC ± ANGLES ± FINISH ⚠		APPLICATION SPEC		SIZE A3	CAGE CODE 00779	DRAWING NO C-1612257	RESTRICTED TO -	
MATERIAL ⚠		WEIGHT		SCALE 2:1			SHEET 1 OF 2	REV E1
CUSTOMER DRAWING								

AS SHOWN : 1612257-7

P	LTR	DESCRIPTION	DATE	DWN	APVD
-	-	SEE SHEET 1	-	-	-



THIS DRAWING IS A CONTROLLED DOCUMENT.		DWN	STE TE Connectivity Ltd.		
DIMENSIONS: MM		CHK			
TOLERANCES UNLESS OTHERWISE SPECIFIED:		APVD	NAME		
0 PLC ±		PRODUCT SPEC	RECEPTACLE ASSEMBLY		
1 PLC ±		APPLICATION SPEC	MINI CT DC DRAWER SNAP-FIT		
2 PLC ±		WEIGHT	SIZE	CAGE CODE	DRAWING NO
3 PLC ±		CUSTOMER DRAWING	A3	00779	C-1612257
4 PLC ±			SCALE	SHEET	REV
ANGLES ±		4:1	2 OF 2	E1	
FINISH		RESTRICTED TO			

X-ON Electronics

Largest Supplier of Electrical and Electronic Components

Click to view similar products for [PCI Express/PCI Connectors](#) category:

Click to view products by [TE Connectivity](#) manufacturer:

Other Similar products are found below :

[UEX220-6U](#) [10025026-10003PLF](#) [GPCP442628110HR](#) [GPCP446200120HR](#) [GPCP245400111HR](#) [10082378-10000TLF](#) [MDT580M03001](#)
[MDT580M01001](#) [10141523-111T0LF](#) [10145445-10003MLF](#) [10146070-112Y0LF](#) [10150657-052R0LF](#) [10018784-10001MLF](#) [10082378-](#)
[10213TLF](#) [10123920-A20LF](#) [10124928-001LF](#) [10125101-A15RLF](#) [10125101-A30RLF](#) [10125756-642010LF](#) [10125756-A42010LF](#) [74540-](#)
[0201](#) [74540-0501](#) [7-1734774-7](#) [3-1761465-1](#) [10018784-10011TLF](#) [10018784-10111TLF](#) [10039755-10111TLF](#) [10039755-10112TLF](#)
[10018783-10211TLF](#) [10018784-10211TLF](#) [10018784-10212TLF](#) [1761465-2](#) [87715-9202](#) [87715-9208](#) [1871058-1](#) [5-1761465-4](#) [10018783-](#)
[10200MLF](#) [10018783-10213TLF](#) [10018784-10210TLF](#) [PCIE-164-02-S-D-EMS3](#) [87715-9206](#) [10025026-10001TLF](#) [5145154-8](#) [1871058-4](#)
[87715-9203](#) [87715-9309](#) [10018783-10001MLF](#) [10025026-10101TLF](#) [10018783-10210TLF](#) [2-1761465-1](#)