

# MSD INC.

# ENGINEERING DATA SHEET

RELAY TYPE: FCA-410-1617 M COMPUTER PART No.: 9244540

TEST PROCEDURE

CUSTOMER/SPECIFICATION: MIL-R-83536/16-017 REV NONE

MSDP-790

### TEST REQUIREMENTS

COIL RES.: 290 +/- 10% ohms OPERATE TIME: 15 mS Max RELEASE TIME: 15 mS Max

CONTACT MAKE BOUNCE: 1 mS Max N.O. BREAK BOUNCE: 0.1 mS MAX

CONTACT STABILIZATION TIME: 2.5 mS Max RATED COIL VOLTAGE: 28 Vdc

CONTACT RES.: MFG TEST: 8 Milliohms @ 10 mA FINAL TEST: 10 Milliohms @ 10 mA

CONTACT VOLTAGE DROP: FINAL TEST: 100 mV Max @ 10 A - 6 V dc

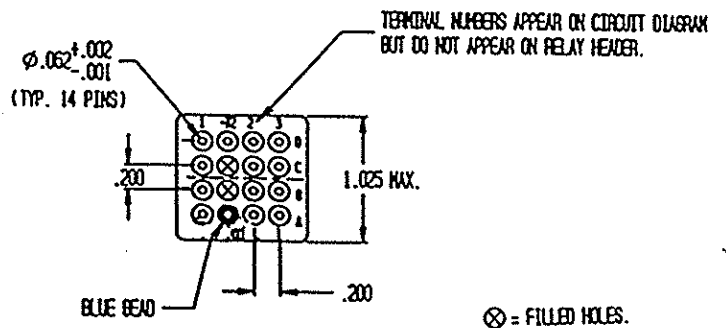
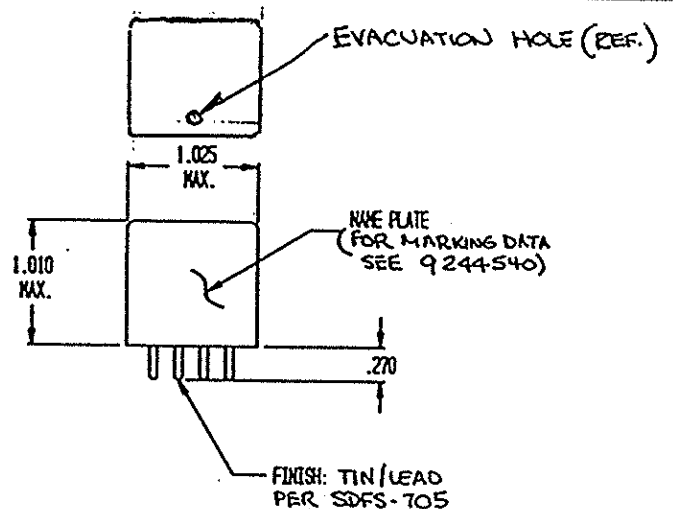
HI-POT: 1250 V rms ALL POINTS, EXCEPT 1000 V rms COIL TO CASE

INSULATION RESISTANCE: 100 Megohms Min @ 500 V dc

VIBRATION: MIL-STD-202, METHOD 204 (30G's/100-3000 Hz)

SEAL TEST: 1X10<sup>-8</sup> Max LEAK RATE COIL TRANSIENT SUPPRESSION: 42 Vdc MAX

OTHER: \_\_\_\_\_



Prepared By: Date		Approved By: Date	
LES WYNNE 3-15-96		<i>J. Tocher</i> 3-19-96	
Rev	ECN No.	Date	
A	96-065	3-15-96	

### SPECIAL INSTRUCTIONS

## X-ON Electronics

Largest Supplier of Electrical and Electronic Components

*Click to view similar products for [Industrial Relays](#) category:*

*Click to view products by [TE Connectivity](#) manufacturer:*

Other Similar products are found below :

[6-1617801-8](#) [6-1618107-9](#) [7-1618273-3](#) [EV250-4A-02](#) [EV250-6A-01](#) [FCA-125-CX8](#) [FCA-325-159](#) [FCA-410-138](#) [8000-S3121](#) [8-1618273-6](#)  
[8-1618393-1](#) [GCA63A220VAC60HZ](#) [GCA63A277VAC60HZ](#) [GCA63A600VAC60HZ](#) [1-1672275-3](#) [1-1833005-4](#) [H-16/S1](#) [A711Z](#) [H-8C](#)  
[H-8/S11](#) [H-8/S68](#) [ACC530U20](#) [ACC730U30](#) [RF303ZM4-12](#) [DH18DA](#) [1423675-8](#) [AR4-15F13-C01](#) [AR7-41F11](#) [AVR907](#) [15732A200](#)  
[B07B032AC1-0329](#) [B329](#) [B490A](#) [1618279-1](#) [BHR124Y](#) [1810DDB-SX](#) [N417](#) [P30C42A12D1-120](#) [2-1617748-6](#) [2-1618375-1](#) [2-1618396-6](#)  
[2-1618398-1](#) [JMAPD-5XL](#) [JMGACD-5M](#) [JMGSC-5LW](#) [JMGSCD-5L](#) [PBO-18A1218](#) [PBO-40A3040](#) [K8DSPH1200480VAC](#) [KA-3C-12A](#)