

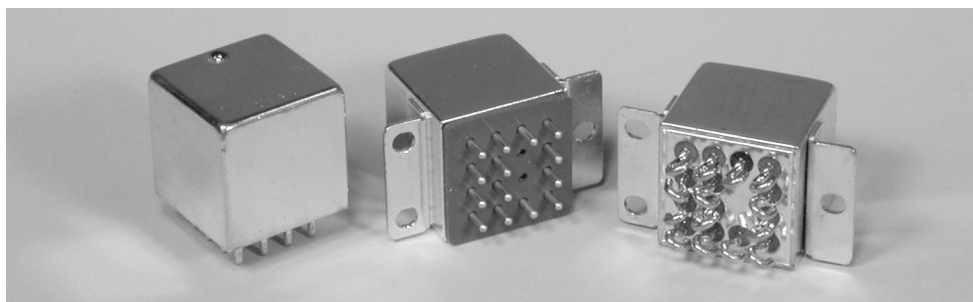
Table of Contents

| | |
|-----------------------------------------------------------------------------------------------|-------------|
| TD2 Series Time Delay Relays, per MIL-PRF-83726/28, /29, /30, & /31 | 5-2 – 5-5 |
| Double-pole, Electrically Held, 5 Amps and Less | |
| FCB-205 Series | 5-6 – 5-8 |
| Four-pole, Electrically Held, 5 Amps and Less | |
| FCB-405 Series | 5-9 – 5-11 |
| Double-pole, Electrically Held, 15 Amps and Less | |
| FCA-210 Series | 5-12 – 5-14 |
| FCA-212 Series | 5-15 – 5-17 |
| FCA-215 Series | 5-12 – 5-14 |
| Four-pole, Electrically Held, 15 Amps and Less | |
| FCA-410 Series | 5-18 – 5-20 |
| FCA-415 Series | 5-18 – 5-20 |
| Single-pole, Electrically Held, 25 Amps and Less | |
| FCA-125 Series | 5-21 – 5-23 |
| Three-pole, Electrically Held, 25 Amps and Less | |
| FC-325 Series | 5-24 – 5-25 |
| FCA-325 Series | 5-26 – 5-28 |
| Three-pole, Electrically Held, 25 Amps and Less, with Auxiliary Contacts | |
| FCAC-325 Series | 5-30 – 5-31 |
| Single-Pole, Electrically Held, 50 Amps or Less | |
| FCA-150 | 5-32 – 5-35 |
| Single-Pole, Electrically Held, 50 Amps and Less, Normally Closed, with Auxiliary Contacts | |
| FCA-150NC | 5-36 – 5-39 |
| Selection and Application Guide | 5-40 |
| Cross Reference - Socket to Relay | 5-41 |

TD2 Series Time Delay Relay

Product Facts

- Qualified to:
 - MIL-PRF-83726/28
 - MIL-PRF-83726/29
 - MIL-PRF-83726/30
 - MIL-PRF-83726/31
- Fixed delay on operate, fixed delay on release, adjustable delay on operate & adjustable delay on release
- Meets or exceeds electrostatic discharge MIL-STD-1686 Class Non-Sensitive
- Welded hermetically sealed enclosure occupies about 1 in³ (16.4 cm³)
- 10A, 2 form C (DPDT) output contacts



TD2 series time delay relays are available for delay on operate or delay on release operation. Either can be supplied as fixed or resistor adjustable types. Both military and commercial versions are offered.

These products consist of solid state timing circuits controlling our FCA-210 series relays, providing 2 Form C (DPDT) output contacts rated 10 amps. The internal timing circuit uses an R/C controlled oscillator with a program-

mable digital pulse counter, gating a semiconductor switch to operate the relay. Timing is independent of whether the controlling voltage is a ramp or step function.

For the adjustable models the user specifies a one decade range in seconds, within which the required delay will be set. This range is programmed internally at the time of manufacture. The required delay is obtained by calculating the oscillator timing resistor as

follows and connecting it externally to terminals 1D - 3D as below.

$$R_{EXT} = [(T_1 / T_0) - 1] 100K \text{ Ohms}$$

T_0 = Minimum time of selected decade in seconds.

T_1 = Required time delay.

EXAMPLE

Selected Range = 3-30 sec

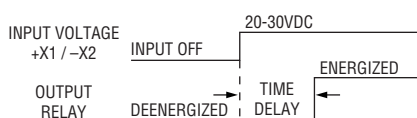
Required Time = 15 sec

$$R_{EXT} = [(15/3) - 1] 100K = 400K$$

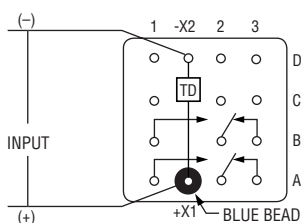
Timing Action and Terminal Wiring

Delay On Operate:

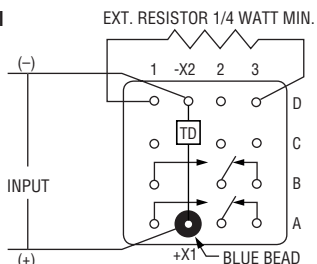
The time delay starts on the application of input voltage to X1-X2. The timing circuit energizes the end of the time delay period.



Fixed Model

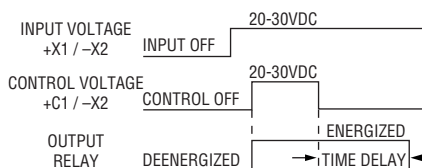


Adjustable Model

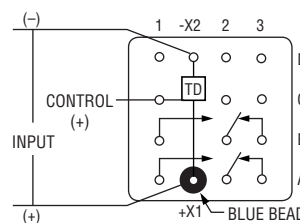


Delay On Release:

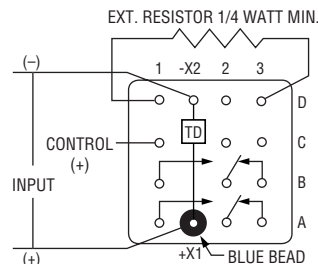
The input voltage is continuous to X1-X2. When the control voltage is applied to C1-X2 the timing circuit and the relay are both energized. The time delay starts when the control voltage is shut off.



Fixed Model



Adjustable Model



Terminal designations shown in the diagrams above are for reference only. They do not appear on the relay header.

TD2 Series Time Delay Relay (Continued)

Specifications

Timing Data

| | |
|-----------------------------------------------------------------|----------------------------------------------------------------------------------------------------|
| Timing Action | Delay on Operate or Delay on Release |
| Time Delay, Fixed – M83726/28, /29 and Commercial 28C, 29C | Select from 0.1 to 600 sec for Commercial Models Select from 0.1 to 500 sec for Mil-Spec Models |
| Time Delay, Adjustable – M83726/30, /31 and Commercial 30C, 31C | Select one decade between 0.1 to 1.0 and 60 to 600 seconds |
| Timing Accuracy (note 1) | ±10% of Nominal Value |
| Recycle Time (note 2) | 50 ms, max., to next cycle. |
| Power Interrupts | Accuracy is not affected by power interruptions up to 1 ms spaced at least 10ms apart. |

Input Data

| | |
|---------------------------------------------------------|--------------------------------------------------------------------------------------------------------|
| Input Voltage | 28 Vdc nominal, range 20 - 32 Vdc |
| Duty Rating | Continuous |
| Input Current | 110 mAdc Max @ 25°C |
| Control Voltage (applies only to Delay on Release type) | 20 - 32 Vdc |
| Control Current | 15 mAdc Max (applies only to delay on release types) |
| Input Voltage Polarity Protection | The timer will be inoperative during, and undamaged by, reversal of the polarity of the input voltage. |

Output Data

| | |
|------------------------------------------|-----------------------------------|
| Contact Form | 2 Form C (DPDT) |
| Contact Material | Silver Cadmium Oxide, Gold plated |
| Contact Rating in Amps (Continuous Duty) | |

| Type of Load | Life (Min.) Cycles | 28 Vdc | 115 Vac 400Hz | 115/200 Vac – 3 phase | |
|--------------|-----------------------|--------|---------------|-----------------------|---------|
| | | | | 400 Hz. | 60 Hz.* |
| Resistive | 100 x 10 ³ | 10 | 10 | 10 | 2.5 |
| Inductive | 20 x 10 ³ | 8 | 8 | 8 | 2.5 |
| Motor | 100 x 10 ³ | 4 | 4 | 4 | 2.0 |
| Lamp | 100 x 10 ³ | 2 | 2 | 2 | 1.0 |

* 60 Hz. loads are rated at 10 x 10³ cycles.

| | |
|--------------------------|-----------------------------------|
| Overload Current | 40 Adc; 60A, 400 Hz. |
| Rupture Current | 50 Adc; 80A, 400 Hz. |
| Max. Contact Drop at 10A | Initial 0.150V; After Life 0.175V |

Electrical Data

| | |
|-------------------------------------------|-------------------------------------------------------------------------------|
| Electrostatic Discharge Withstand Voltage | 16,000V |
| Transients (note 3): | |
| Positive Transients | +80V |
| Self-generated Transients | ±50V, Max. |
| Spike Susceptibility | ±600V, 10 μs, Max. |
| Insulation Resistance (note 4) | 1,000 megohms at 500Vdc, between each pin and case |
| Dielectric Strength (note 4) | 1,000Vrms at 60 Hz at sea level, between case and all pins connected together |

Environmental Data

| | |
|--------------------------------------|--------------------------------------------------------------------------|
| Ambient Temperature Range, Operating | -55°C to +125°C |
| Altitude | 80,000 feet maximum |
| Shock Resistance | 100 G's, 6 ms. |
| Vibration Resistance, Sinusoidal | Z & Y Enclosure: 30 G's, 33-3000Hz.; X & W Enclosure: 20 G's, 33-3000Hz. |

Mechanical Data

| | |
|--------------------|--------------------|
| Approximate Weight | 2.5 oz. (71g) Max. |
|--------------------|--------------------|

NOTES

1. The accuracy requirement applies to any combination of operating temperature and voltage. Add ±10ms for timing less than one second.
2. Recycle time to assure that the next timing cycle will be completed. Units can be recycled during timing and after time-out:
Delay on operate models – Power must be OFF the input at least 10 ms. Delay on release models – Power must be ON the control terminal at least 10 ms.
3. Transient specifications are based on a maximum duty cycle of 1/50.
4. All wired terminals must be connected together during this test. Dielectric withstanding voltage and insulation resistance are measured between all mutually insulated wired terminals and between all these terminals and case.
5. Inductive loads must be diode suppressed.

TD2 Series Time Delay Relay (Continued)

Outline Dimensions

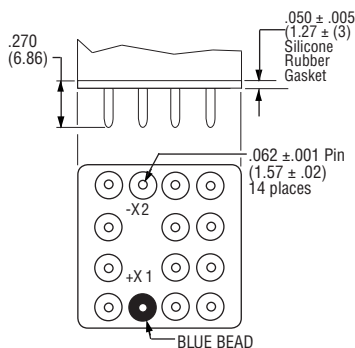
The standard terminal types and enclosures are illustrated below with dimensions expressed as inches ± 0.010 and (millimeters ± 0.25).

Terminals

All terminals on 0.200 (5.4) centers.

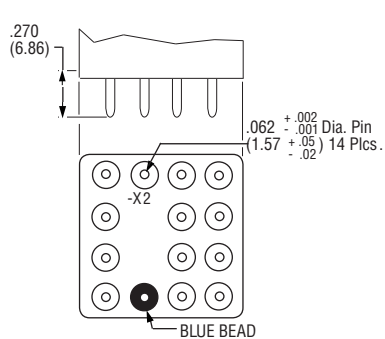
CODE "P"

Socket Pins – Gold Plated



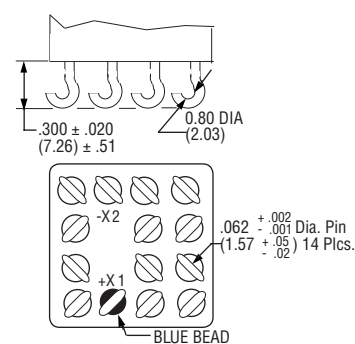
CODE "T"

Circuit Board Pins – Tin/Lead Plated



CODE "S"

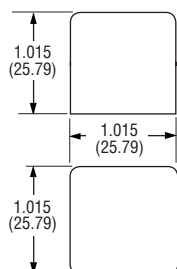
Solder Hooks



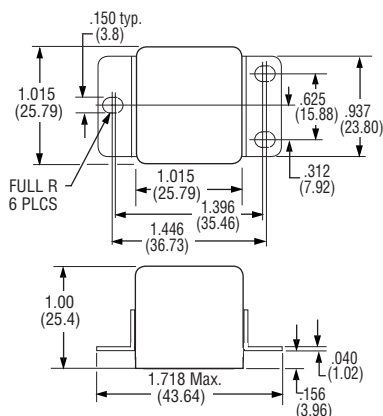
Enclosures

All Enclosures have cupro-nickel cans bright acid tin/lead plated after assembly to terminal headers.

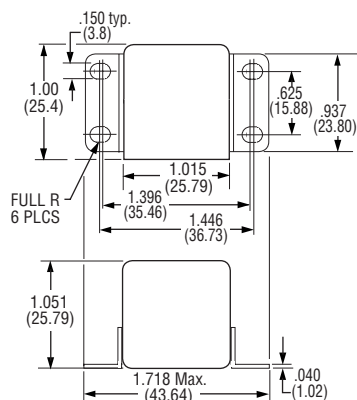
CODE "Z"



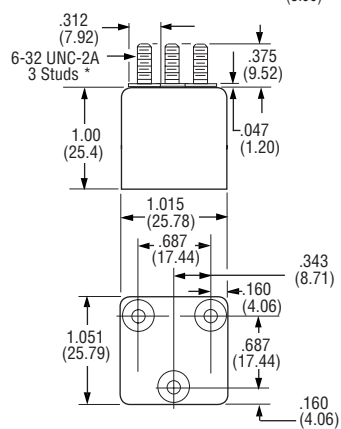
CODE "Y"



CODE "X"



CODE "W"



*Metric threads available. To specify use "M" in place of "W"

For factory-direct application assistance, phone 419-521-9500 or fax 419-526-2749.

TD2 Series Time Delay Relay (Continued)

**Part Numbering System
Mil-Spec Types**

| Typical Mil-Spec Part Number | TD2 | 28- | 5002 | P |
|------------------------------------------------------------------------------------------------------------------------------------------------------------------------------------------------------------------------------------------------------------------------------------------------------------------------------------------------------------------------------------------------------------------------------------------------------------------------------------------------------------------------------------------------------------------------------------------------------------------------------|-----|-----|------|---|
| Series: TD2 = Time delay relay with 2 pole, 10A output | | | | |
| Mil-Spec Model: 28 = M83726/28 (Fixed, Delay on Operate) 29 = M83726/29 (Fixed, Delay on Release) 30 = M83726/30 (Adjustable, Delay on Operate) 31 = M83726/31 (Adjustable, Delay on Release) | | | | |
| Time Delay Range (Within 0.1 to 500 seconds): For /28 and /29 types (fixed types), the delay is expressed in milliseconds in a four-digit code. The first three digits are significant. The fourth is the number of zeros following the first three. Example: 5002 is 50 seconds. For /30 and /31 types (adjustable types), the delay decade range is expressed in milliseconds in a four-digit code representing the upper limit of the range. The first three digits are significant. The fourth is the number of zeros following the first three. Example: 1001 is 1 second, so the range is 0.1 to 1 second. | | | | |
| Terminals: P= Socket Pin Terminals S= Solder Hook Terminals | | | | |

Note: Mil-spec models have "Y" type enclosure.

Commercial Types

| Typical Commercial Part Number | TD2 | 28C- | 1001 | P | Y |
|--------------------------------------------------------------------------------------------------------------------------------------------------------------------------------------------------------------------------------------------------------------------------------------------------------------------------------------------------------------------------------------------------------------------------------------------------------------------------------------------------------------------------------------------------------------------------------------|-----|------|------|---|---|
| Series: TD2 = Time delay relay with 2 pole, 10A output | | | | | |
| Commercial Model: 28C = Fixed, Delay on Operate (COTS version of M83726/28) 29C = Fixed, Delay on Release (COTS version of M83726/29) 30C = Adjustable, Delay on Operate (COTS version of M83726/30) 31C = Adjustable, Delay on Release (COTS version of M83726/31) | | | | | |
| Time Delay Range (Within 0.1 to 600 seconds): For fixed types, the delay is expressed in milliseconds in a four-digit code. The first three digits are significant. The fourth is the number of zeros following the first three. Example: 5002 is 50 seconds. For adjustable types, the delay decade range is expressed in milliseconds in a four-digit code representing the upper limit of the range. The first three digits are significant. The fourth is the number of zeros following the first three. Example: 1001 is 1 second, so the range is 0.1 to 1 second. | | | | | |
| Terminals: P= Socket Pin Terminals S= Solder Hook Terminals T= Solder Pin Terminals | | | | | |
| Enclosure W = Mounting Studs X = Horizontal Flange Mount Y = Raised Vertical Flange Mount Z = No Mount | | | | | |

NOTE: Commercial versions are available with timing ranges outside of .1 to 600 sec. range.

For factory-direct application assistance, phone 419-521-9500 or fax 419-526-2749.



Product Facts

- Hermetically Sealed
- All Welded Construction
- Balanced Force
- Permanent Magnet Drive
- Contacts rated low level to 5 Amps VDC and 115/200 VAC 400 Hz, 3 Phase
- Weight .54 ounces max. (15.4 grams)
- Qualified to M83536/1, /2

FCB-205 Series, 5 Amperes, DPDT

The Series FCB-205 relay is a polarized single-side stable design, where the flux from a permanent magnet provides the armature holding force in the deactivated state, and its flux path is switched and combined with the coil flux in the operated state. This results in appreciably

increased contact pressure in both states over that of a spring return nonpolar design. We also manufacture other forms of the FCB relay:

FCB-405 — 5 Amp 4PDT Relay

General Specifications

- Temperature Rating** — -70°C TO + 125°C
- Altitude** — 300,000 Feet
- Shock*** — Z, Y, & X Enclosures — 200 g for 6 mS
W & M Enclosures (Stud Mtg.) — 100 g for 6 mS
T Enclosure (Socket Mounted in Track) — 50 g for 11 mS
- Vibration, Sinusoidal*** — Z, Y, & X Enclosures — 0.12 DA 10 to 70 Hz, 30 g 70-3000Hz
W & M Enclosures (Stud Mtg.) — 0.12 DA 10 to 57 Hz, 20 g 57-3000Hz
T Enclosure (Socket Mounted in Track) — 0.06 DA 10 to 57 Hz, 10 g 57 to 500Hz, 20 g 500 to 3000 Hz
- Vibration, Random*** — Z, Y, & X Enclosures — 0.4 g²/Hz 50-2000Hz
T, W & M Enclosures — 0.2 g²/Hz 50-2000Hz
- Dielectric Strength** — At Sea Level — All circuits to ground and circuit to circuit — 1000 V rms
Coil to ground — 1000 V rms
At 80,000 Feet — 250 V rms

Contact Rating — Amperes Ratings Are Continuous Duty

| Type of Load | Life (Min.) Cycles x 10 ³ | 28 VDC | 115VAC 400Hz | 115/200VAC 400Hz, 3Ø |
|--------------|--------------------------------------|--------|--------------|----------------------|
| Resistive | 100 | 5 | 5 | 5 |
| Inductive | 20 | 3 | 5 | 5 |
| Motor | 100 | 2 | 3 | 3 |
| Lamp | 100 | 1 | 1 | 1 |

*60 Hz loads rated for 10,000 operations

Low Level Switching Capability: With contacts operating a load of 10 to 50 microamperes at 10 to 50 millivolts, the contact resistance miss detection level shall be 100 ohms max. Cycling rate is 1 to 12 per second, for 100,000 operations.

- Overload Current** — 20 AMPS DC, 30 AMPS 400Hz
- Rupture Current** — 25 AMPS DC, 40 AMPS 400Hz
- Contact Make Bounce** — 1.0 MILLISECOND AT NOMINAL VOLTAGE
- Max. Contact Drop at 5 Amps** — INITIAL 0.100 VOLTS
- End of Life** — 0.125 VOLTS

- Insulation Resistance** — Initial (500 VDC) — 100 MΩ Min.
After Life or Environmental Tests — 50 MΩ Min.
- Operate Time at Nominal Voltage** — 4 ms or less
- Release Time at Nominal Voltage** — 4 ms or less

* Max. contact opening under vibration or shock 10 microseconds

Coil Data

| Coil Code | Nominal Voltages | Freq. Hz | DC Res. (B) | Over Temperature Range | | |
|-----------|------------------|----------|-------------|------------------------|------------------------|-----------------------|
| | | | | Pickup or Below Volts | Dropout or Above Volts | Must Hold Voltage (C) |
| 1 | 6 | DC | 20 Ω | 4.5 | 0.3 | 2.5 |
| 2 | 12 | DC | 95 Ω | 9.0 | 0.75 | 4.5 |
| 3 | 28 | DC | 500 Ω | 18.0 | 1.5 | 7.0 |
| 4 (A) | 28 | DC | 500 Ω | 18.0 | 1.5 | 7.0 |
| 5 | 48 | DC | 1600 Ω | 36.0 | 2.5 | 14.0 |

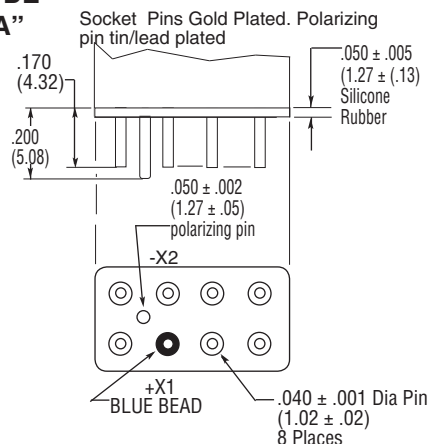
- A. CODE 4 COILS HAVE BACK EMF SUPPRESSION TO 42 VOLTS MAX.
- B. DC COIL RESISTANCE ± 10% AT 25°C
- C. RELAY WILL STAY IN PICKED-UP STATE DOWN TO MUST HOLD VOLTAGES SHOWN.
- D. MAX. OVERVOLTAGE: 6 & 12 VDC COILS 120% OF NOMINAL; ALL OTHERS 110% OF NOMINAL.

FCB-205 Series, 5 Amperes, DPDT (Continued)

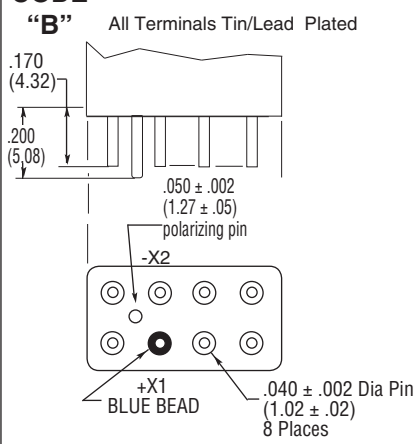
Below are shown the standard terminal types and the enclosures available. Specify the assembly as indicated under How To Order. Dimensions are shown in inches ± .010 and (Millimeters ± .25).

Terminals

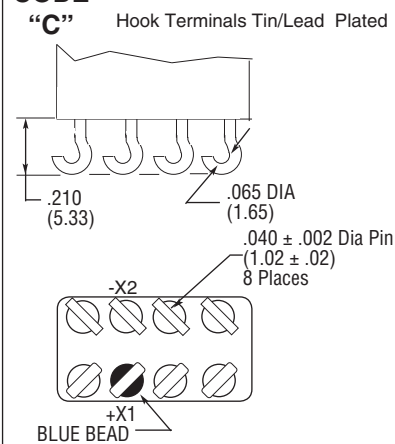
CODE "A" Socket Pin Terminals



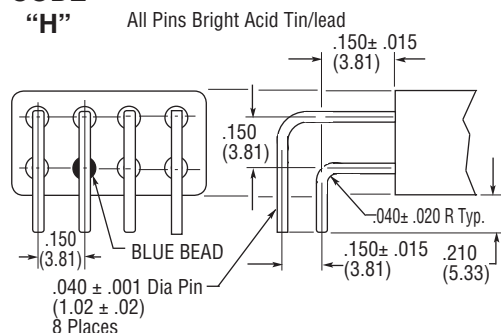
CODE "B" Solder Pin Terminals



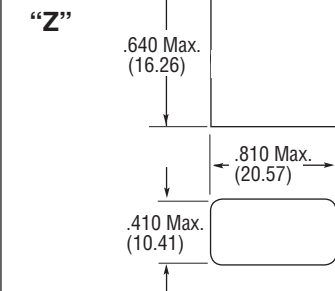
CODE "C" Solder Pin Terminals



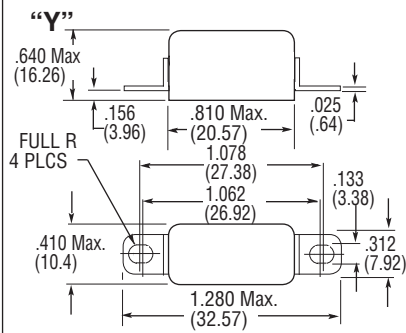
CODE "H" 90° Solder Pins



CODE "Z"



CODE "Y"



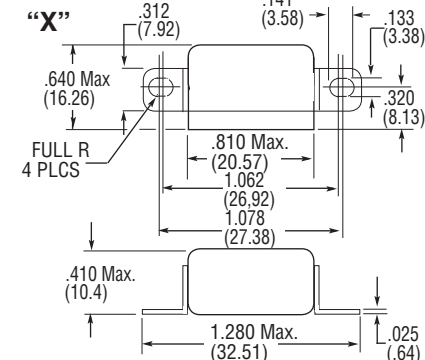
Enclosures

All Enclosures have Cupro-Nickel Cans bright acid tin/lead plated after assembly to terminal headers.

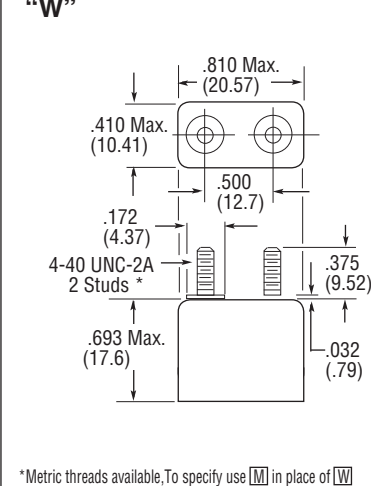
Dimensions: Inches ± .010 (mm ± .25)

Enclosure "T" is for use with track mounted sockets and requires socket pin terminals, but no gasket. The gasket is included in the socket assembly.

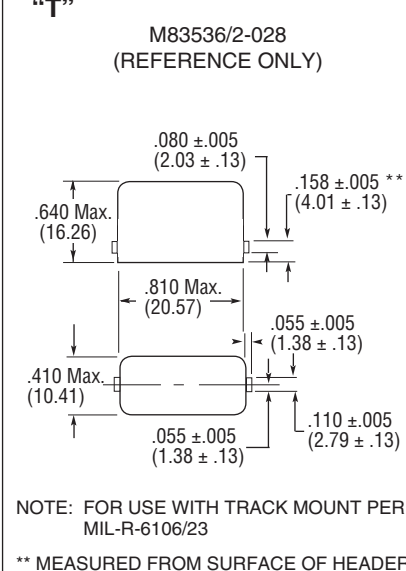
CODE "X"



CODE "W"



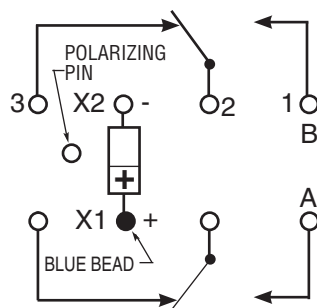
CODE "T"



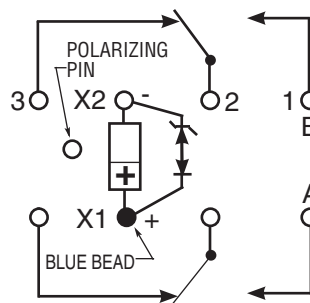
FCB-205 Series, 5 Amperes, DPDT (Continued)

Terminal Wiring

DC Coils



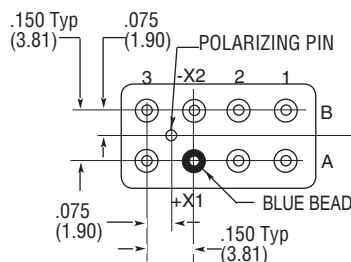
Transient Suppression



NOTE: Polarity must be observed with DC coil supply. Relay is polarized with a permanent magnet and will not operate or be damaged by reverse polarity.

Diodes used in transient suppression and in AC rectifier circuits have peak inverse voltage rating of 600 VDC minimum. Zener diodes have a minimum rating of 1 watt.

Terminal designations are for reference only and do not appear on the header.



TERMINAL VIEW

HOW TO ORDER

FCB-205-A Y 4

RELAY TYPE _____

TERMINALS (Socket Pins) _____

ENCLOSURE (With Flanges) _____

COIL (28 VDC With Transient Suppression). _____

* The part number example shown on this page is for catalog items. For a list of specific QPL part numbers, please see the index in Section 15.

FCB-405 Series, 5 Amperes, 4PDT



Product Facts

- Hermetically Sealed
- All Welded Construction
- Balanced Force
- Permanent Magnet Drive
- Contacts rated low level to 5 Amps 28 VDC and 115/200 VAC 400 Hz, 3 Phase
- Weight .93 ounces max. (26.4 grams)
- Qualified to M83536/5 & /6

The Series FCB-405 relay is a polarized single-side stable design, where the flux from a permanent magnet provides the armature holding force in the deactivated state, and its flux path is switched and combined with the coil flux in the operated state. This results in appreciably

increased contact pressure in both states over that of a spring return nonpolar design. We also manufacture other versions of this relay:

FCB-205 — 5 Amp DPDT Relay

General Specifications

Temperature Rating — -70°C TO + 125°C

Altitude — 300,000 Feet

Shock* —

- Z & Y Enclosures — 200 g for 6 mS
- W, X & M Enclosures — 100 g for 6 mS
- T Enclosure (In Track) — 50 g for 11 mS

Vibration, Sinusoidal* —

- Z & Y Enclosures — 30 g 70-3000Hz
- W, X & M Enclosures — 20 g 70-3000Hz
- T Enclosure (Socket Mounted in Track) — 20 g 500-3000 Hz

Vibration, Random* —

- Z & Y Enclosures — 0.4 g²/Hz 50-2000Hz
- T, W, X & M Enclosures — 0.2 g²/Hz 50-2000Hz

Dielectric Strength —

- At Sea Level — All circuits to ground and circuit to circuit — 1000 V rms
- Coil to ground — 1000 V rms
- At 80,000 Feet — 250 V rms

Insulation Resistance —

- Initial (500 VDC) — 100 MΩ Min.
- After Life or Environmental Tests — 50 MΩ Min.

Operate Time at Nominal Voltage — 6 ms or less

Release Time at Nominal Voltage — 6 ms or less

* Max. contact opening under vibration or shock 10 microseconds

Contact Rating — Amperes Ratings Are Continuous Duty

| Type of Load | Life (Min.) Cycles x 10 ³ | 28 VDC | 115VAC 400Hz | 115/200VAC 400Hz-3Ø |
|--------------|--------------------------------------|--------|--------------|---------------------|
| Resistive | 100 | 5 | 5 | 5 |
| Inductive | 20 | 3 | 5 | 5 |
| Motor | 100 | 2 | 3 | 3 |
| Lamp | 100 | 1 | 1 | 1 |

Low Level Switching Capability: With contacts operating a load of 10 to 50 microamperes at 10 to 50 millivolts, the contact resistance miss detection level shall be 100 ohms max. Cycling rate is 1 to 12 per second, for 100,000 operations.

Overload Current — 20 AMPS DC, 30 AMPS 400Hz

Rupture Current — 25 AMPS DC, 40 AMPS 400Hz

Contact Make Bounce — 1.0 MILLISECOND AT NOMINAL VOLTAGE

Max. Contact Drop at 5 Amps — INITIAL 0.100 VOLTS

End of Life — 0.125 VOLTS

Coil Data

| Coil Code | Nominal Voltages | Freq. Hz | DC Res. (B) | Over Temperature Range | | |
|-----------|------------------|----------|-------------|------------------------|------------------------|-----------------------|
| | | | | Pickup or Below Volts | Dropout or Above Volts | Must Hold Voltage (C) |
| 1 | 6 | DC | 25 Ω | 4.5 | 0.3 | 2.5 |
| 2 | 12 | DC | 78 Ω | 9.0 | 0.75 | 4.5 |
| 3 | 28 | DC | 400 Ω | 18.0 | 1.5 | 7.0 |
| 4 (A) | 28 | DC | 400 Ω | 18.0 | 1.5 | 7.0 |
| 5 | 48 | DC | 1275 Ω | 36.0 | 2.5 | 14.0 |

A. CODE 4 COILS HAVE BACK EMF SUPPRESSION TO 42 VOLTS MAX.

B. DC COIL RESISTANCE ± 10% AT 25°C

C. RELAY WILL STAY IN PICKED-UP STATE DOWN TO MUST HOLD VOLTAGES SHOWN.

D. MAX. OVERVOLTAGE: 6 & 12 VDC COILS 120% OF NOMINAL; ALL OTHERS 110% OF NOMINAL.



FCB-405 Series, 5 Amperes, 4PDT (Continued)

Below are shown the standard terminal types and the enclosures available. Specify the assembly as indicated under How To Order. Dimensions are shown in inches ± .010 and (Millimeters ± .25).

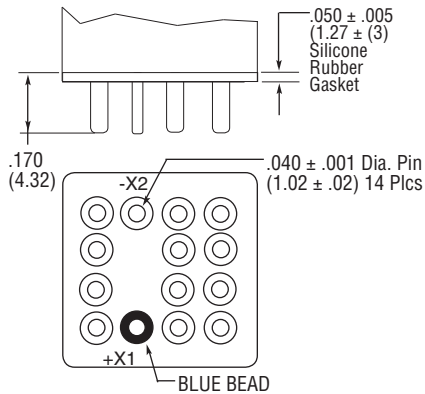
Terminals

CODE

"A"

Socket Pins - All DC Coils

PIN TERMINALS ARE GOLD PLATED

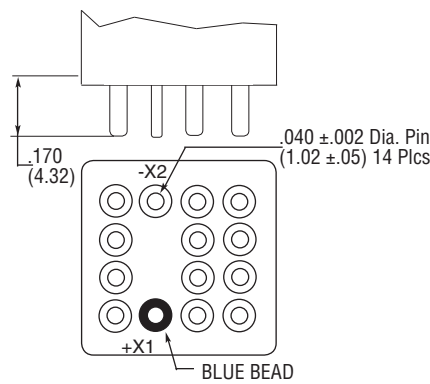


CODE

"B"

Solder Pin Terminals

PIN TERMINALS TIN/LEAD PLATED

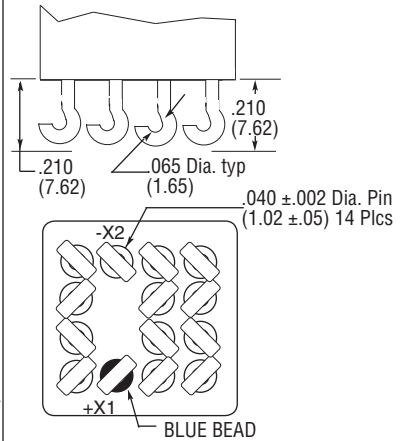


CODE

"C"

Solder Hook Terminals

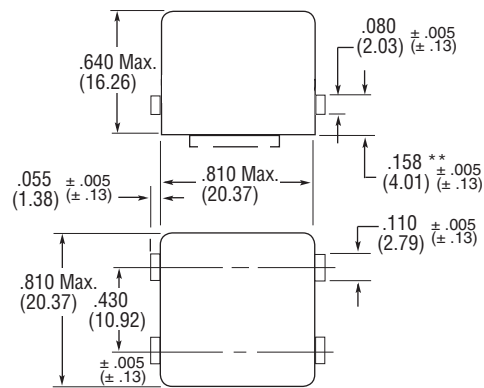
HOOK TERMINALS TIN/LEAD PLATED



CODE

"T"

M83536/6-025
(REFERENCE ONLY)



** Measured from surface of header

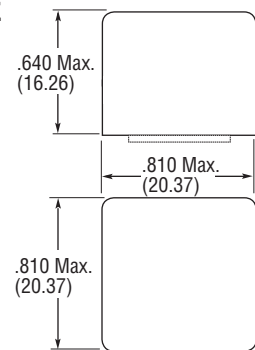
Enclosures

All Enclosures have cupro-Nickel cans bright acid tin/lead plated after assembly to terminal headers.
Dimensions: Inches ± .010 (mm ± .25)

Code "T" used only with track-mounted Sockets. Requires code "A" pin terminals. Gasket is included in the socket assembly.

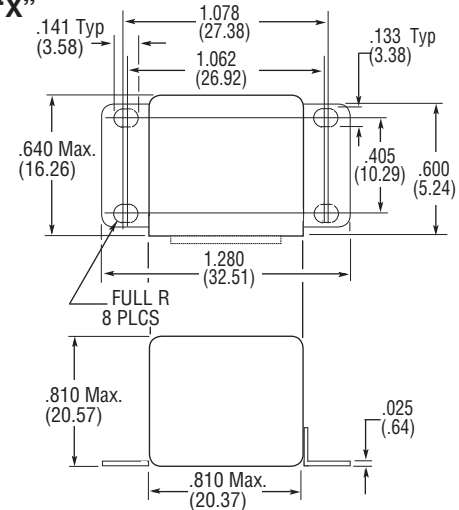
CODE

"Z"



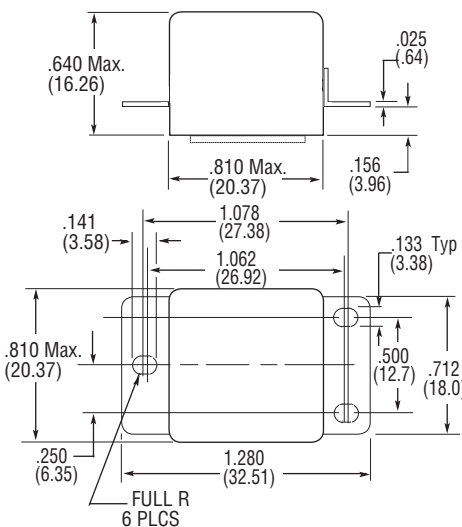
CODE

"X"



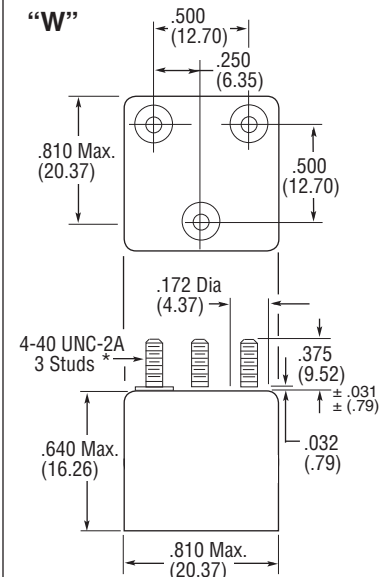
CODE

"Y"



CODE

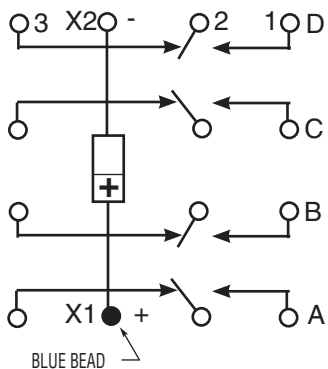
"W"



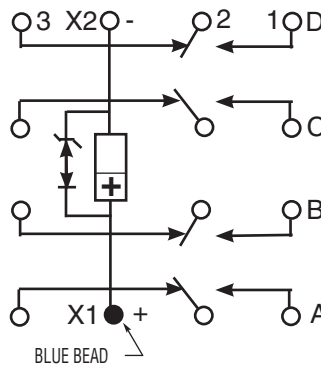
FCB-405 Series, 5 Amperes, 4PDT (Continued)

Terminal Wiring

DC Coils



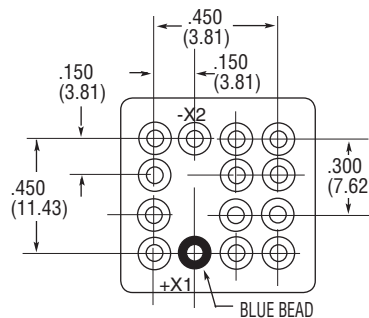
DC Coils with Transient Suppression



NOTE: Polarity must be observed with DC coil supply. Relay is polarized with a permanent magnet and will not operate or be damaged by reverse polarity.

Diodes used in transient suppression and in AC rectifier circuits have peak inverse voltage rating of 600 VDC minimum. Zener diodes have a minimum rating of 1 watt.

Terminal designations are for reference only and do not appear on the header.

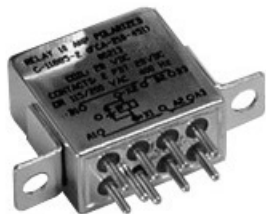


TERMINAL VIEW

HOW TO ORDER

| | |
|-------------------------------------------------------|----------------------|
| | FCB-405-A Y 4 |
| RELAY TYPE _____ | _____ |
| TERMINALS (Socket Pins) _____ | _____ |
| ENCLOSURE (With Flanges) _____ | _____ |
| COIL (28 VDC With Transient Suppression) _____ | _____ |

* The part number example shown on this page is for catalog items. For a list of specific QPL part numbers, please see the index in Section 15.



Product Facts

- Hermetically Sealed
- All Welded Construction
- Balanced Force
- Permanent Magnet Drive
- Contacts — Silver Cadmium Oxide with Gold Plating
- Coils for DC, 50 to 400Hz and 400Hz AC
- Weight 1.6 ounces max. (45.4 grams)
- Qualified to M83536/9, /10

FCA-210 Series, 10 Amperes, DPDT

The Series FCA-210 relay is a polarized single-side stable design, where the flux from a permanent magnet provides the armature holding force in the deactivated state, and its flux path is switched by the coil flux in the operated state. This results in appreciably increased contact pressure in both states over that of a spring return nonpolar design. We also

manufacture other versions of this relay:

FCA-410 — 10 Ampere 4PDT Relay

FCA-610 — 10 Ampere 6 PDT Relay

Available:

FCA-215 — 15 Ampere DPDT Relay, Has the same specifications as the FCA-210 except is rated at 15 amps. (Commercial Only)

General Specifications

- Temperature Rating** — -70°C TO + 125°C
- Altitude** — 300,000 Feet
- Shock*** — Z, Y, & X Enclosures — 200 g for 6 mS
W & M Enclosures (Stud Mtg.) — 100 g for 6 mS
- Vibration, Sinusoidal*** — Z, Y, & X Enclosures — 30 g 33-3000Hz
W & M Enclosures (Stud Mtg.) — 20 g 33-3000Hz
- Vibration, Random*** — Z, Y, & X Enclosures — 0.4 g²/Hz 50-2000Hz
W & M Enclosures (Stud Mtg.) — 0.2 g²/Hz 50-2000Hz
- Dielectric Strength** — At Sea Level — All circuits to ground and circuit to circuit — 1250 V rms
Coil to ground — 1000 V rms
At 80,000 Feet — 350 V rms
- Insulation Resistance** — Initial (500 VDC) — 100 MΩ Min.
After Life or Environmental Tests — 50 MΩ Min.
- Operate Time at Nominal Voltage** — DC Relays — 10 ms or less
AC Relays — 15 ms or less
- Release Time at Nominal Voltage** — DC Relays — 10 ms or less
AC Relays — 50 ms or less

Contact Rating — Amperes Ratings Are Continuous Duty

| Type of Load | Life (Min.) Cycles x 10 ³ | 28 VDC | 115/200VAC 3Ø | | |
|--------------|--------------------------------------|--------|---------------|-------|-------|
| | | | 115VAC 400Hz | 400Hz | 60Hz* |
| Resistive | 100 | 10 | 10 | 10 | 2.5 |
| Inductive | 20 | 8 | 8 | 8 | 2.5 |
| Motor | 100 | 4 | 4 | 4 | 2.0 |
| Lamp | 100 | 2 | 2 | 2 | 1 |

*60 Hz loads rated for 10,000 operations

- Overload Current** — 40 AMPS DC, 60 AMPS 400Hz
- Rupture Current** — 50 AMPS DC, 80 AMPS 400Hz
- Contact Make Bounce** — 1 MILLISECOND AT NOMINAL VOLTAGE
- Max. Contact Drop at 10 Amps** — INITIAL 0.100 VOLTS
- End of Life** — 0.125 VOLTS

* Max. contact opening under vibration or shock 10 microseconds

Coil Data

| Coil Code | Nominal Voltages | Freq. Hz | DC Res. AC Amps (B) | Over Temperature Range | | |
|-----------|------------------|-----------|---------------------|------------------------|------------------------|-----------------------|
| | | | | Pickup or Below Volts | Dropout or Above Volts | Must Hold Voltage (C) |
| 1 | 6 | DC | 20 Ω | 4.5 | 0.3 | 2.5 |
| 2 | 12 | DC | 80 Ω | 9.0 | 0.75 | 4.5 |
| 3 | 28 | DC | 320 Ω | 18.0 | 1.5 | 7.0 |
| 4 (A) | 28 | DC | 320 Ω | 18.0 | 1.5 | 7.0 |
| 5 | 48 | DC | 920 Ω | 32.0 | 2.5 | 14.0 |
| 6 | 28 | 400Hz | 180 mA | 22.0 | 1.25 | 10.0 |
| 7 | 28 | 50/400Hz | 100 mA | 22.0 | 1.25 | 10.0 |
| 8 | 115 | 400 Hz | 40 mA | 90.0 | 5.0 | 40.0 |
| 9 | 115 | 50/400 Hz | 30 mA | 95.0 | 5.0 | 40.0 |

- A. CODE 4 COILS HAVE BACK EMF SUPPRESSION TO 42 VOLTS MAX.
- B. DC COIL RESISTANCE ± 10% AT 25°C; AC COIL MAX. CURRENT AT NOMINAL VOLTAGE.
- C. RELAY WILL STAY IN PICKED-UP STATE DOWN TO MUST HOLD VOLTAGES SHOWN.
- D. MAX. OVERVOLTAGE: 6 & 12 VDC COILS 120% OF NOMINAL; ALL OTHERS 110% OF NOMINAL.
- E. COILS AVAILABLE FOR OTHER VOLTAGES AND FOR AC 50/60HZ.

NOTE: Only DC Coil Models are QPL Approved.

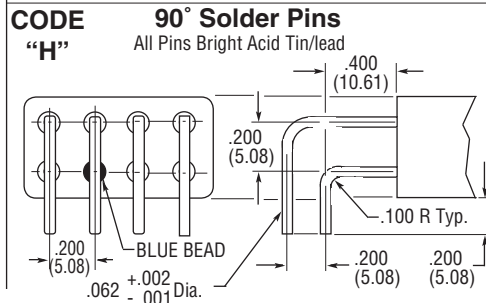
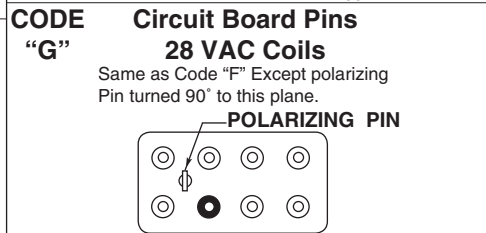
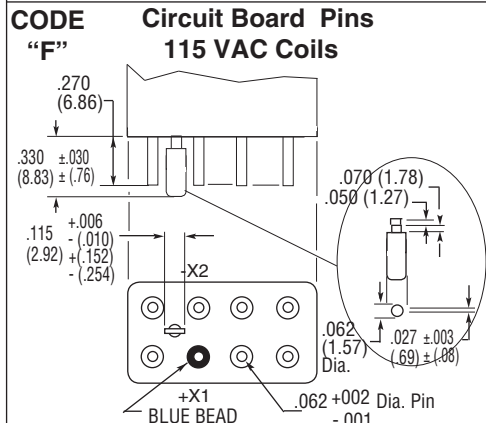
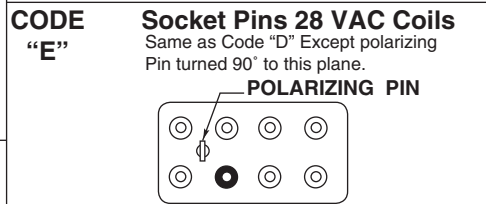
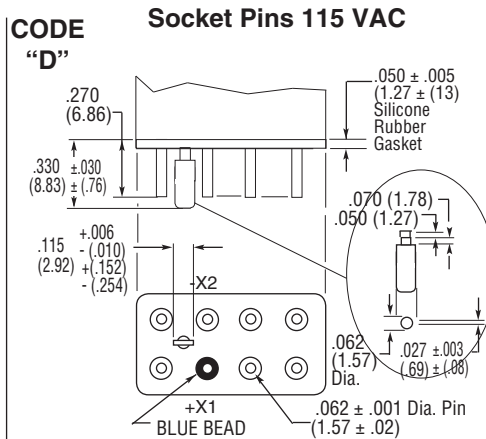
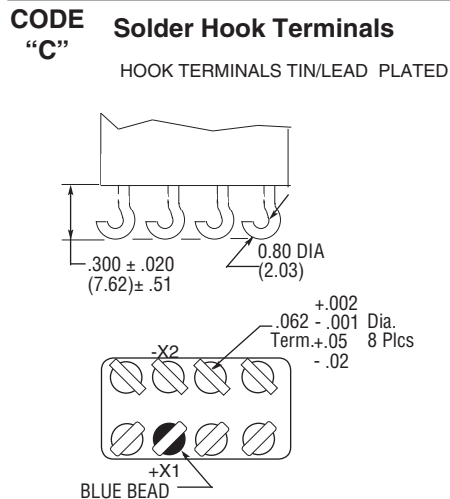
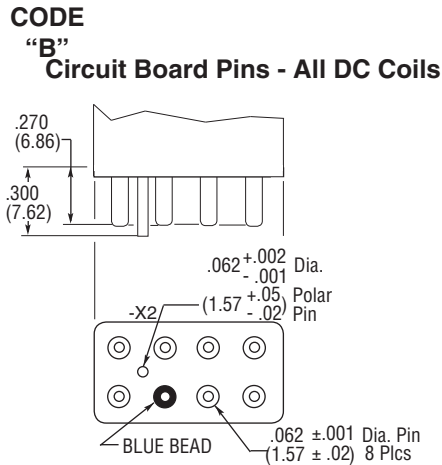
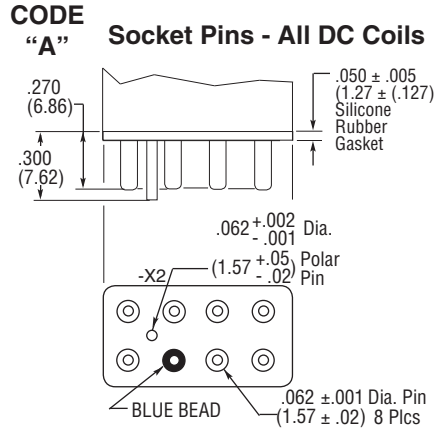


FCA-210 Series, 10 Amperes, DPDT (Continued)

Below are shown the standard terminal types and the enclosures available. Specify the assembly as indicated under How To Order. Dimensions are shown in inches ± .010 and (Millimeters ± .25).

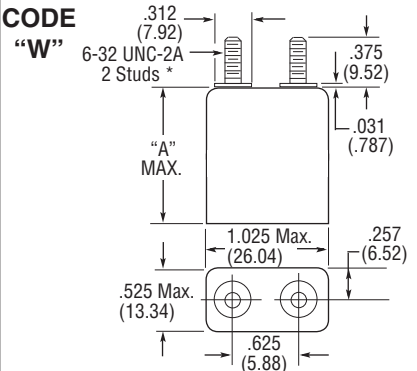
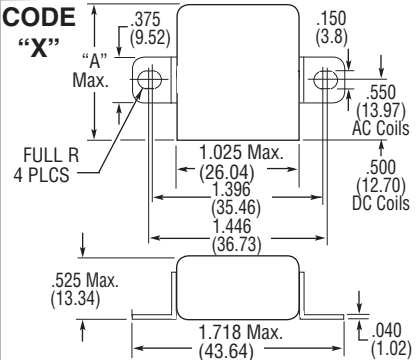
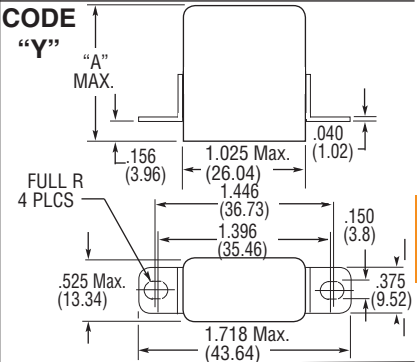
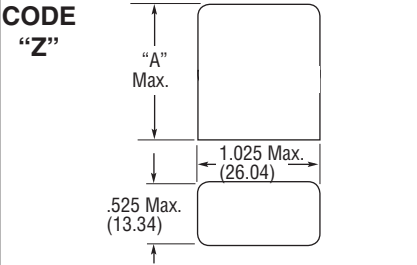
Terminals

SOCKET PINS ARE GOLD PLATED
POLARIZING PINS ARE TIN/LEAD PLATED
CIRCUIT BOARD PINS ARE TIN/LEAD PLATED
DIMENSIONS EXCEPT AS NOTED:
INCHES ± .010 (MILLIMETERS ± .25)



Enclosures

All Enclosures have Cupro-Nickel Cans bright acid tin/lead plated after assembly to terminal headers.
Dimensions: Inches ± .010 (mm ± .25)
"A" AC Coils 1.125 in. (28.57) Max.
DC Coils 1.010 in. (25.65) Max.



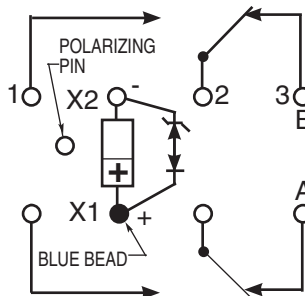
*Metric threads available, To specify use [M] in place of [W]

5 CII Mid-Range Relays

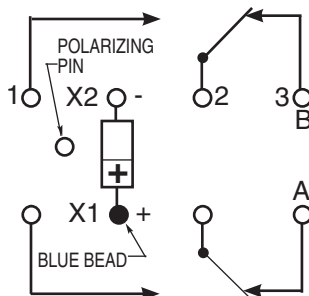
FCA-210 Series, 10 Amperes, DPDT (Continued)

Terminal Wiring

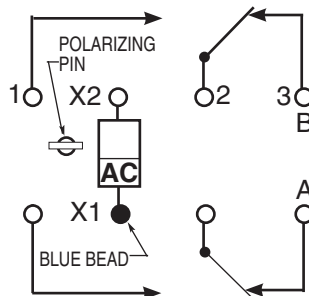
DC Coils with Transient Suppression



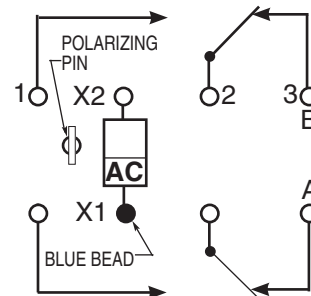
DC Coils



AC Coils 115 VAC



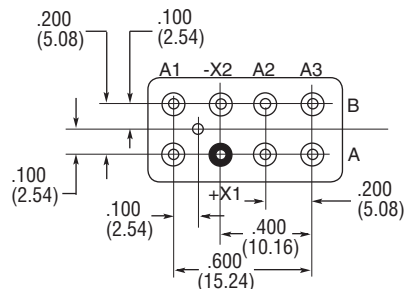
AC Coils 28 VAC



NOTE: Polarity must be observed with DC coil supply. Relay is polarized with a permanent magnet and will not operate or be damaged by reverse polarity.

Diodes used in transient suppression and in AC rectifier circuits have peak inverse voltage rating of 600 VDC minimum. Zener diodes have a minimum rating of 1 watt.

Terminal designations are for reference only and do not appear on the header.



TERMINAL VIEW

HOW TO ORDER

FCA-215-
FCA-210-A Y 4

RELAY TYPE _____

TERMINALS (Socket Pins, DC Coil) _____

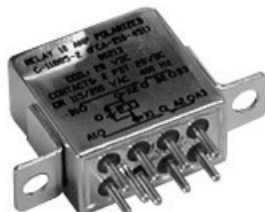
ENCLOSURE (With Flanges) _____

COIL (28 VDC With Transient Suppression). _____

NOTE: Only DC coil models are QPL Approved

* The part number example shown on this page is for catalog items. For a list of specific QPL part numbers, please see the index in Section 15.

FCA-212 Series, 12 Amperes, DPDT



The Series FCA-212 relay is a polarized single-side stable design, where the flux from a permanent magnet provides the armature holding force in the deactivated state, and its flux path is switched and combined with the coil flux in the operated state.

This results in appreciably increased contact pressure in both states over that of a spring return nonpolar design. We also manufacture other versions of this relay:

FCA-412 — 12 Amp 4PDT Relay

General Specifications

- Temperature Rating** — -70°C TO + 125°C
- Altitude** — 300,000 Feet
- Shock*** — Z, Y, & X Enclosures — 200 g for 6 mS
W & M Enclosures (Stud Mtg.) — 100 g for 6 mS
- Vibration, Sinusoidal*** — Z, Y, & X Enclosures — 30 g 33-3000Hz
W Enclosure — 20 g 33-3000Hz
- Vibration, Random*** — Z, Y, & X Enclosures — 0.4 g²/Hz 50-2000Hz
W & M Enclosures (Stud Mtg.) — 0.2 g²/Hz 50-2000Hz
- Dielectric Strength** — At Sea Level — All circuits to ground and circuit to circuit — 1250 V rms
Coil to ground — 1000 V rms
At 80,000 Feet — 350 V rms
- Insulation Resistance** — Initial (500 VDC) — 100 MΩ Min.
After Life or Environmental Tests — 50 MΩ Min.
- Operate Time at Nominal Voltage** — DC Relays — 10 ms or less
AC Relays — 15 ms or less
- Release Time at Nominal Voltage** — DC Relays — 10 ms or less
AC Relays — 50 ms or less

Product Facts

- Hermetically Sealed
- All Welded Construction
- Balanced Force
- Permanent Magnet Drive
- Contacts — Silver Cadmium Oxide with Gold Plating
- Coils for DC, 50 to 400Hz and 400Hz AC
- Weight 1.6 ounces max. (45.4 grams)

Contact Rating — Amperes Ratings Are Continuous Duty

| Type of Load | Life (Min.) Cycles x 10 ³ | 28 VDC | 115/200VAC 3Ø | | |
|--------------|--------------------------------------|--------|---------------|-------|-------|
| | | | 115VAC 400Hz | 400Hz | 60Hz* |
| Resistive | 100 | 12 | 12 | 12 | 2.5 |
| Inductive | 20 | 8 | 8 | 8 | 2.5 |
| Motor | 100 | 4 | 4 | 4 | 2.0 |
| Lamp | 100 | 2 | 2 | 2 | 1 |

*60 Hz loads rated for 10,000 operations

- Overload Current** — 40 AMPS DC, 60 AMPS 400Hz
- Rupture Current** — 50 AMPS DC, 80 AMPS 400Hz
- Contact Make Bounce** — 1 MILLISECOND AT NOMINAL VOLTAGE
- Max. Contact Drop at 12 Amps** — INITIAL 0.150 VOLTS
- End of Life** — 0.175 VOLTS

* Max. contact opening under vibration or shock 10 microseconds

Coil Data

| Coil Code | Nominal Voltages | Freq. Hz | DC Res. AC Amps (B) | Over Temperature Range | | |
|-----------|------------------|-----------|---------------------|------------------------|------------------------|-----------------------|
| | | | | Pickup or Below Volts | Dropout or Above Volts | Must Hold Voltage (C) |
| 1 | 6 | DC | 20 Ω | 4.5 | 0.3 | 2.5 |
| 2 | 12 | DC | 80 Ω | 9.0 | 0.75 | 4.5 |
| 3 | 28 | DC | 320 Ω | 18.0 | 1.5 | 7.0 |
| 4 (A) | 28 | DC | 320 Ω | 18.0 | 1.5 | 7.0 |
| 5 | 48 | DC | 920 Ω | 32.0 | 2.5 | 14.0 |
| 6 | 28 | 400Hz | 180 mA | 22.0 | 1.25 | 10.0 |
| 7 | 28 | 50/400Hz | 100 mA | 22.0 | 1.25 | 10.0 |
| 8 | 115 | 400 Hz | 40 mA | 90.0 | 5.0 | 40.0 |
| 9 | 115 | 50/400 Hz | 30 mA | 95.0 | 5.0 | 40.0 |

- A. CODE 4 COILS HAVE BACK EMF SUPPRESSION TO 42 VOLTS MAX.
- B. DC COIL RESISTANCE ± 10% AT 25°C; AC COIL MAX. CURRENT AT NOMINAL VOLTAGE.
- C. RELAY WILL STAY IN PICKED-UP STATE DOWN TO MUST HOLD VOLTAGES SHOWN.
- D. MAX. OVERVOLTAGE: 6 & 12 VDC COILS 120% OF NOMINAL; ALL OTHERS 110% OF NOMINAL.
- E. COILS AVAILABLE FOR OTHER VOLTAGES AND FOR AC 50/60HZ.



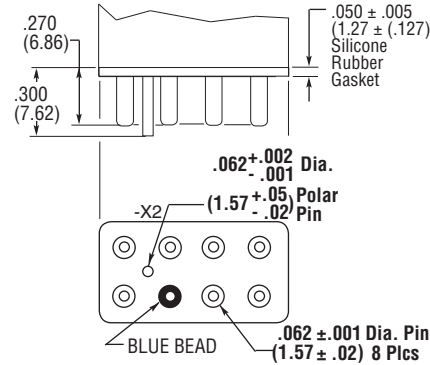
FCA-212 Series, 12 Amperes, DPDT (Continued)

Below are shown the standard terminal types and the enclosures available. Specify the assembly as indicated under How To Order. Dimensions are shown in inches ± .010 and (Millimeters ± .25).

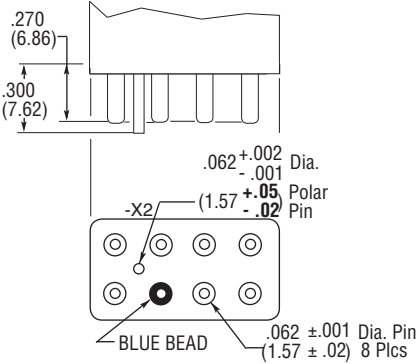
Terminals

SOCKET PINS ARE GOLD PLATED
POLARIZING PINS ARE TIN/LEAD PLATED
CIRCUIT BOARD PINS ARE TIN/LEAD PLATED
DIMENSIONS EXCEPT AS NOTED:
INCHES ± .010 (MILLIMETERS ± .25)

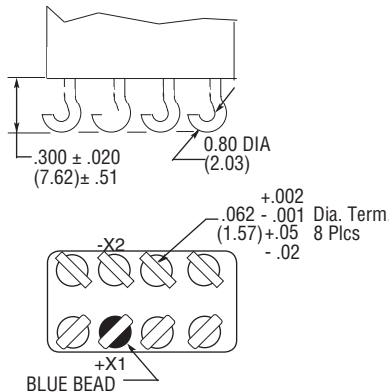
CODE "A" Socket Pins - All DC Coils



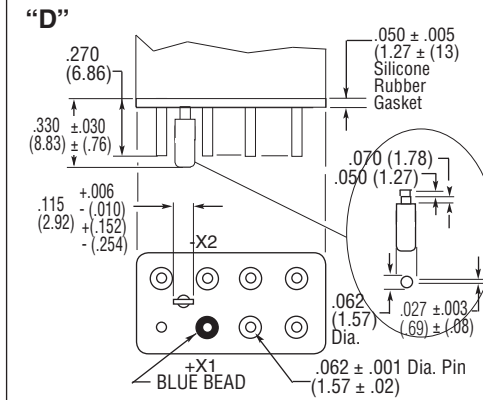
CODE "B" Circuit Board Pins - All DC Coils



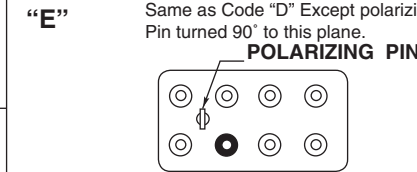
CODE "C" Solder Hook Terminals
HOOK TERMINALS TIN/LEAD PLATED



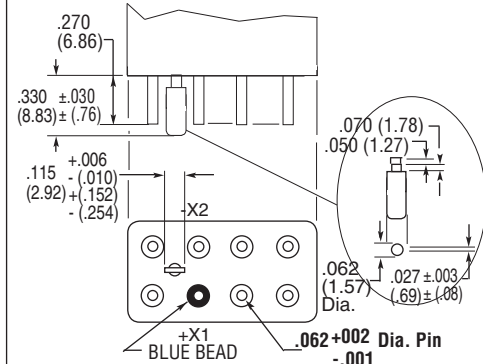
CODE "D" Socket Pins 115 VAC



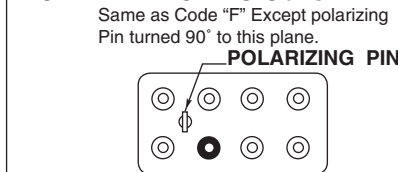
CODE "E" Socket Pins 28 VAC Coils



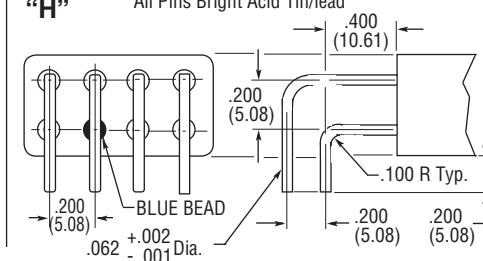
CODE "F" Circuit Board Pins 115 VAC Coils



CODE "G" Circuit Board Pins 28 VAC Coils



CODE "H" 90° Solder Pins

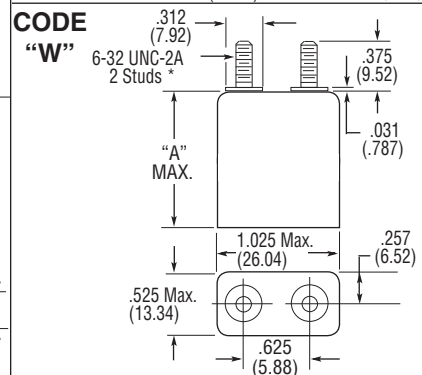
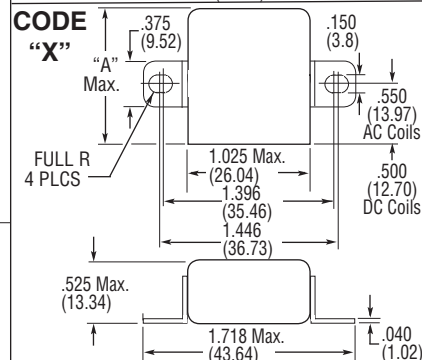
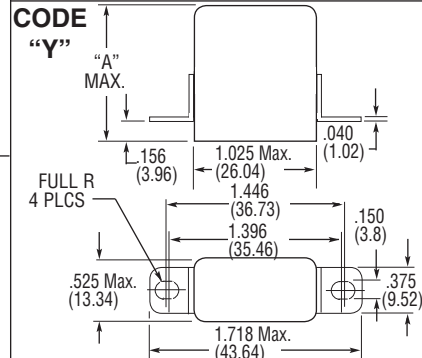
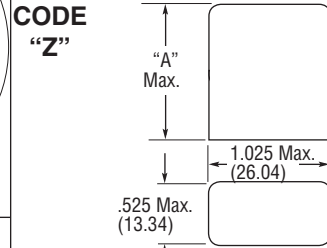


Enclosures

All Enclosures have Cupro-Nickel Cans bright acid tin/lead plated after assembly to terminal headers.

Dimensions: Inches ± .010 (mm ± .25)

"A" AC Coils 1.125 in. (28.57) Max.
DC Coils 1.010 in. (25.65) Max.

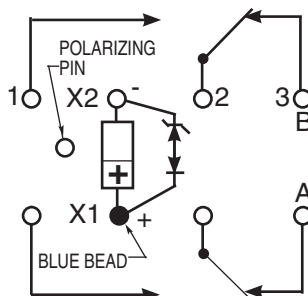


*Metric threads available. To specify use [M] in place of [W]

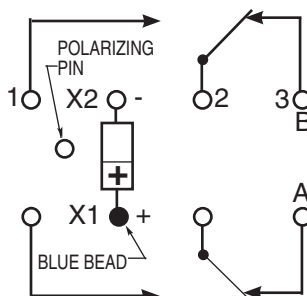
FCA-212 Series, 12 Amperes, DPDT (Continued)

Terminal Wiring

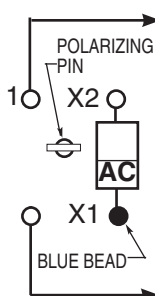
DC Coils with Transient Suppression



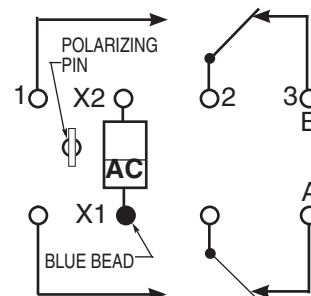
DC Coils



AC Coils 115 VAC



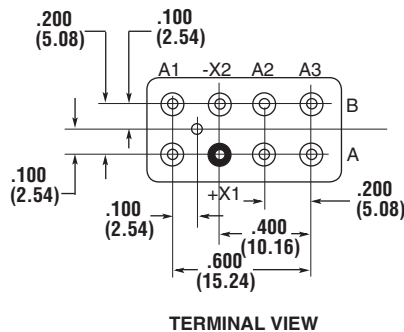
AC Coils 28 VAC



NOTE: Polarity must be observed with DC coil supply. Relay is polarized with a permanent magnet and will not operate or be damaged by reverse polarity.

Diodes used in transient suppression and in AC rectifier circuits have peak inverse voltage rating of 600 VDC minimum. Zener diodes have a minimum rating of 1 watt.

Terminal designations are for reference only and do not appear on the header.



HOW TO ORDER

FCA-212-A Y 4

RELAY TYPE _____

TERMINALS (Socket Pins, DC Coil) _____

ENCLOSURE (With Flanges) _____

COIL (28 VDC With Transient Suppression) _____



Product Facts

- Hermetically Sealed
- All Welded Construction
- Balanced Force
- Permanent Magnet Drive
- 4PDT switching in one inch cube
- Contacts — Silver Cadmium Oxide with Gold Plating
- Coils for DC and AC 50 to 400Hz or 400Hz
- Weight 2.72 ounces max. (77 grams max.)
- Qualified to M83536/15, /16

FCA-410 Series, 10 Amperes, 4PDT

The Series FCA-410 relay is a polarized single-side stable design, where the flux from a permanent magnet provides the armature holding force in the deactivated state, and its flux path is switched on the operated state. This results in appreciably increased contact pressure in both states over that of a spring return

nonpolar design. We also manufacture 2-pole and 6-pole versions of this relay.

FCA-210 — 10 Amp DPDT Relay

FCA-610 — 10 Amp 6PDT Relay

Available

FCA-415 — 15 Amp 4PDT, Has the same specifications as the FCA-410 except is rated at 15 amps. (Commercial Only)

General Specifications

Temperature Rating — -70°C TO + 125°C

Altitude — 300,000 Feet

Shock* —

Z & Y Enclosures —

200 g for 6 mS

W, X & M Enclosures —

100 g for 6 mS

Vibration, Sinusoidal* —

Z & Y Enclosures —

0.12 DA 10 to 70Hz

30 g 70 to 3000Hz

W, X & M Enclosures —

0.12 DA 10 to 57Hz

20 g 57 to 3000Hz

Vibration, Random* —

Z & Y Enclosures —

0.4 g²/Hz 50-2000Hz

W, X & M Enclosures —

0.2 g²/Hz 50-2000Hz

Dielectric Strength —

At Sea Level —

All circuits to ground and circuit to circuit — 1250 V rms

Coil to ground — 1000 V rms

At 80,000 Feet — 350 V rms

Insulation Resistance —

Initial (500 VDC) — 100 MΩ Min.

After Life or Environmental Tests —

50 MΩ Min.

Operate Time at Nominal Voltage —

DC Relays — 15 ms or less

AC Relays — 20 ms or less

Release Time at Nominal Voltage —

DC Relays — 15 ms or less

AC Relays — 50 ms or less

* Max. contact opening under vibration or shock 10 microseconds

Contact Rating — Amperes Ratings Are Continuous Duty

| Type of Load | Life (Min.) Cycles x 10 ³ | 28 VDC | 120VAC 400Hz | 120/200VAC | |
|--------------|--------------------------------------|--------|--------------|------------|----------|
| | | | | 400Hz-3Ø | 60Hz-3Ø* |
| Resistive | 100 | 10 | 10 | 10 | 2.5 |
| Inductive | 20 | 8 | 8 | 8 | 2.5 |
| Motor | 100 | 4 | 4 | 4 | 2.0 |
| Lamp | 100 | 2 | 2 | 2 | 1.0 |

*60 Hz loads rated for 10,000 operations

Overload Current — 40 AMPS DC, 60 AMPS 400Hz

Rupture Current — 50 AMPS DC, 80 AMPS 400Hz

Contact Make Bounce —1 MILLISECOND AT NOMINAL VOLTAGE

Max. Contact Drop at 10 Amps — INITIAL 0.100 VOLTS

End of Life — 0.125 VOLTS

Coil Data

| Coil Code | Nominal Voltages | Freq. Hz | DC Res. AC Amps (B) | Over Temperature Range | | |
|-----------|------------------|-----------|---------------------|------------------------|------------------------|-----------------------|
| | | | | Pickup or Below Volts | Dropout or Above Volts | Must Hold Voltage (C) |
| 1 | 6 | DC | 18 Ω | 4.5 | 0.3 | 2.5 |
| 2 | 12 | DC | 70 Ω | 9.0 | 0.75 | 4.5 |
| 3 | 28 | DC | 290 Ω | 18.0 | 1.5 | 7.0 |
| 4 (A) | 28 | DC | 290 Ω | 18.0 | 1.5 | 7.0 |
| 5 | 48 | DC | 865 Ω | 32.0 | 2.5 | 14.0 |
| 6 | 28 | 400Hz | 225 mA | 22.0 | 1.25 | 10.0 |
| 7 | 28 | 50/400Hz | 120 mA | 22.0 | 1.25 | 10.0 |
| 8 | 115 | 400 Hz | 40 mA | 90.0 | 5.0 | 40.0 |
| 9 | 115 | 50/400 Hz | 30 mA | 95.0 | 5.0 | 40.0 |

A. CODE 4 COILS HAVE BACK EMF SUPPRESSION TO 42 VOLTS MAX.

B. DC COIL RESISTANCE ± 10% AT 25°C; AC COIL MAX. CURRENT AT NOMINAL VOLTAGE.

C. RELAY WILL STAY IN PICKED-UP STATE DOWN TO MUST HOLD VOLTAGES SHOWN.

D. MAX. OVER-VOLTAGE: 6 & 12 VDC COILS 120% OF NOMINAL; ALL OTHERS 110% OF NOMINAL.

E. COILS AVAILABLE FOR OTHER VOLTAGES AND FOR AC 50/60HZ.

NOTE: Only DC Coil Models are QPL Approved.

FCA-410 Series, 10 Amperes, 4PDT (Continued)

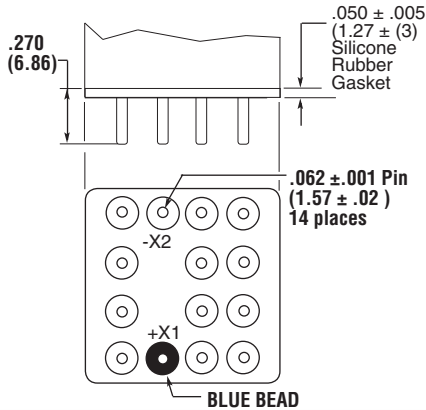
Below are shown the standard terminal types and the enclosures available. Note that the pin configuration for coil connections is determined by the coil supply voltage. Specify the assembly as indicated under How To Order. Dimensions are shown in inches ± .010 and (Millimeters ± .25) except as noted.

Terminals

Terminals on 0.200 centers.
 Coil terminals: X1-X2.
 Socket Pins are Gold Plated.
 Circuit Board Pins are Tin/Lead Plated.

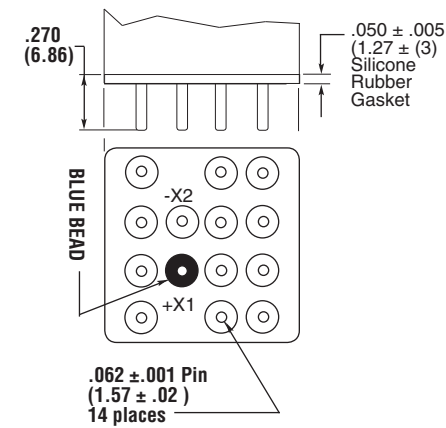
CODE "A"

Socket Pins-All DC Coils



CODE "D"

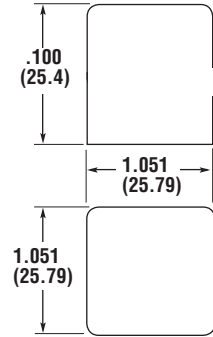
Socket Pins-115 VAC Coils



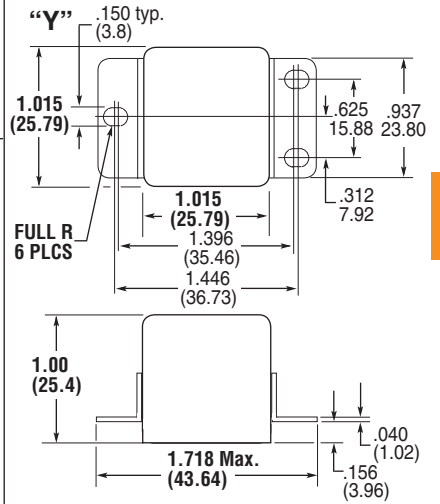
Enclosures

All Enclosures have cupro-Nickel cans bright acid tin/lead plated after assembly to terminal headers.

CODE "Z"

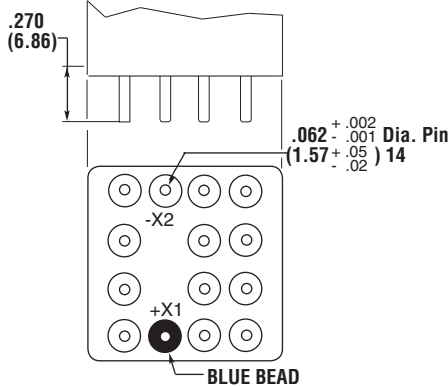


CODE "Y"



CODE "B"

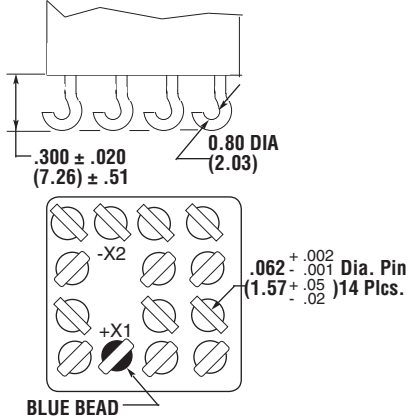
Circuit Board Pins-All DC Coils



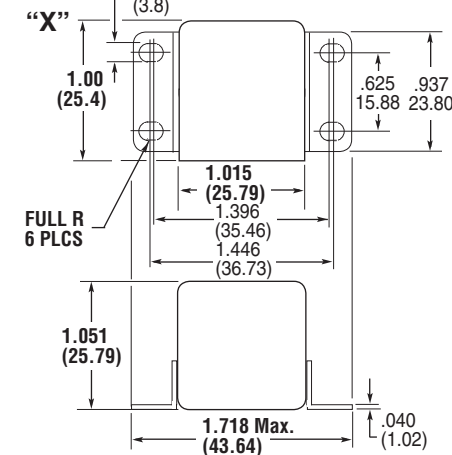
**SEE NEXT PAGE
 FOR MORE COIL
 TERMINAL OPTIONS**

CODE "C"

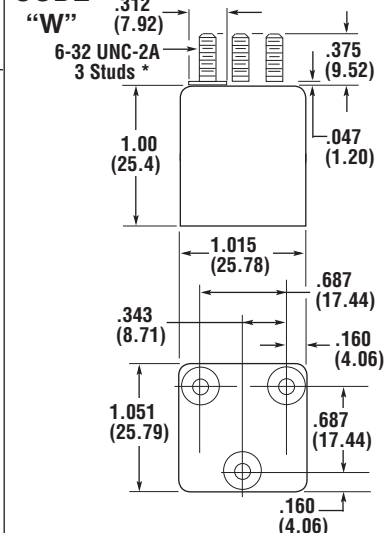
Solder Hooks-AC or DC Coils



CODE "X"



CODE "W"



*Metric threads available, To specify use M in place of U

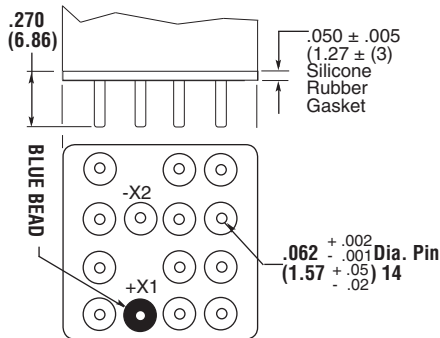
5
 CII Mid-Range Relays

FCA-410 Series, 10 Amperes, 4PDT (Continued)

Terminals (Continued)

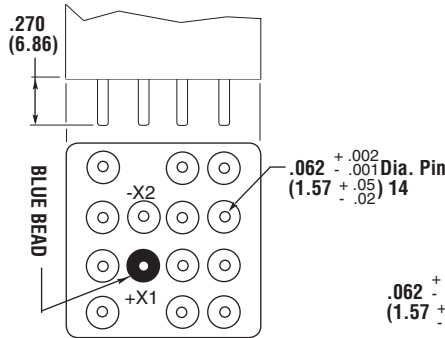
CODE "E"

Socket Pins- 28 VAC Coils



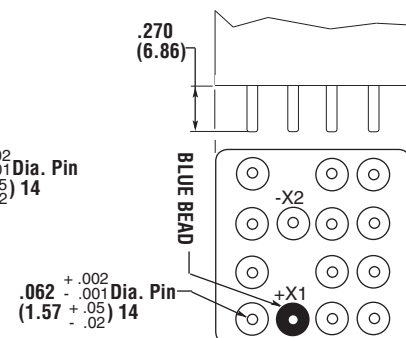
CODE "F"

Circuit Board Pins-115 VAC Coils



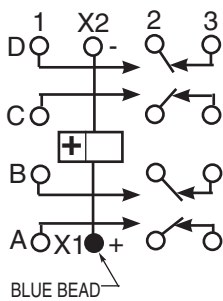
CODE "G"

Circuit Board Pins- 28 VAC Coils

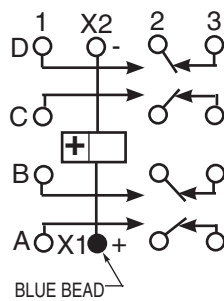


Terminal Wiring

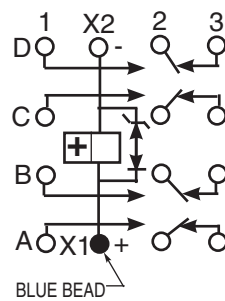
A & B Pin Terminal
All DC Coils



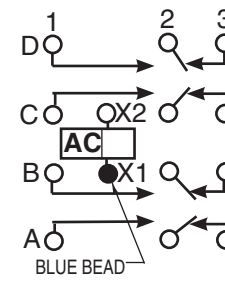
C Hook Terminal
All AC & DC Coils



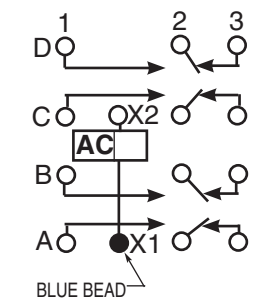
Transient Suppression
Cir.



D & F Pin Terminal
115 VAC Coils



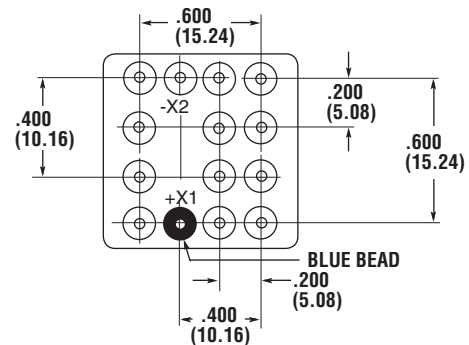
E & G Pin Terminal
28 VAC Coils



NOTE: Polarity must be observed with DC coil supply. Relay is polarized with a permanent magnet and will not operate or be damaged by reverse polarity.

Diodes used in transient suppression and in AC rectifier circuits have peak inverse voltage rating of 600 VDC minimum. Zener diodes have a minimum rating of 1 watt.

Terminal designations are for reference only and do not appear on the header.



TERMINAL VIEW

FCA-415-
FCA-410 A Y 4

HOW TO ORDER

RELAY TYPE _____

TERMINALS (Socket Pins) _____

ENCLOSURE (With Flanges) _____

COIL (28 VDC With Transient Suppression). _____

NOTE: Only DC coil models are QPL Approved

* The part number example shown on this page is for catalog items. For a list of specific QPL part numbers, please see the index in Section 15.



Product Facts

- Hermetically Sealed
- All Welded Construction
- Balanced Force
- Permanent Magnet Drive
- Contacts — Silver Cadmium Oxide with Gold Plating
- Coils for DC, 50 to 400Hz and 400Hz AC
- Weight 1.6 ounces max. (45.4 grams)
- Qualified to M6106/19, M83536/36, /37

FCA-125 Series, 25 Amperes, SPDT

The Series FCA-125 relay is a polarized single-side stable design, where the flux from a permanent magnet provides the armature holding force in the deactivated state, and its flux path is switched on the operated state.

This results in appreciably increased contact pressure in both states over that of a spring return nonpolar design. We also manufacture other versions of this relay:

FCA-325 — 25 Ampere 3PDT Relay

FCAC-325 — 25 Ampere 3PST-NO Relay with 2 amp SPDT auxiliary

General Specifications

- Temperature Rating** — -70°C TO + 125°C
- Altitude** — 300,000 Feet
- Shock*** — Z, Y, & X Enclosures — 200 g for 6 mS
W & M Enclosures (Stud Mtg.) — 100 g for 6 mS
- Vibration, Sinusoidal*** — Z, Y, & X Enclosures — 30 g 33-3000Hz
W & M Enclosures (Stud Mtg.) — 20 g 33-3000Hz
- Vibration, Random*** — Z, Y, & X Enclosures — 0.4 g²/Hz 50-2000Hz
W & M Enclosures (Stud Mtg.) — 0.2 g²/Hz 50-2000Hz
- Dielectric Strength** — At Sea Level — All circuits to ground and circuit to circuit — 1250 V rms
Coil to ground — 1000 V rms
At 80,000 Feet — 350 V rms
- Insulation Resistance** — Initial (500 VDC) — 100 MΩ Min.
After Life or Environmental Tests — 50 MΩ Min.
- Operate Time at Nominal Voltage** — DC Relays — 10 ms or less
AC Relays — 15 ms or less
- Release Time at Nominal Voltage** — DC Relays — 10 ms or less
AC Relays — 50 ms or less

Contact Rating — Amperes Ratings Are Continuous Duty

| Type of Load | Life (Min.) Cycles x 10 ³ | 28 VDC | 115VAC 400Hz | 115VAC 60Hz* |
|--------------|--------------------------------------|--------|--------------|--------------|
| Resistive | 50 | 25 | 25 | 10 |
| Inductive | 10 | 12 | — | 10 |
| Inductive | 20 | — | 15 | — |
| Motor | 50 | 10 | 10 | 8 |
| Lamp | 50 | 5 | 5 | — |

*60 Hz loads rated for 10,000 operations

- Overload Current** — 50 AMPS DC, 80 AMPS 400Hz
- Rupture Current** — 60 AMPS DC, 100 AMPS 400Hz
- Contact Make Bounce** — 1 MILLISECOND AT NOMINAL VOLTAGE
- Max. Contact Drop at 25 Amps** — INITIAL 0.150 VOLTS
- End of Life** — 0.175 VOLTS

* Max. contact opening under vibration or shock 10 microseconds

Coil Data

| Coil Code | Nominal Voltages | Freq. Hz | DC Res. AC Amps (B) | Over Temperature Range | | |
|-----------|------------------|-----------|---------------------|------------------------|------------------------|-----------------------|
| | | | | Pickup or Below Volts | Dropout or Above Volts | Must Hold Voltage (C) |
| 1 | 6 | DC | 20 Ω | 4.5 | 0.3 | 2.5 |
| 2 | 12 | DC | 80 Ω | 9.0 | 0.75 | 4.5 |
| 3 | 28 | DC | 320 Ω | 18.0 | 1.5 | 7.0 |
| 4 (A) | 28 | DC | 320 Ω | 18.0 | 1.5 | 7.0 |
| 5 | 48 | DC | 920 Ω | 32.0 | 2.5 | 14.0 |
| 6 | 28 | 400Hz | 180 mA | 22.0 | 1.25 | 10.0 |
| 7 | 28 | 50/400Hz | 100 mA | 22.0 | 1.25 | 10.0 |
| 8 | 115 | 400 Hz | 40 mA | 90.0 | 5.0 | 40.0 |
| 9 | 115 | 50/400 Hz | 30 mA | 95.0 | 5.0 | 40.0 |

- A. CODE 4 COILS HAVE BACK EMF SUPPRESSION TO 42 VOLTS MAX.
- B. DC COIL RESISTANCE ± 10% AT 25°C; AC COIL MAX. CURRENT AT NOMINAL VOLTAGE.
- C. RELAY WILL STAY IN PICKED-UP STATE DOWN TO MUST HOLD VOLTAGES SHOWN.
- D. MAX. OVERVOLTAGE: 6 & 12 VDC COILS 120% OF NOMINAL; ALL OTHERS 110% OF NOMINAL.
- E. COILS AVAILABLE FOR OTHER VOLTAGES AND FOR AC 50/60HZ.

NOTE: Only DC Coil Models are QPL Approved.

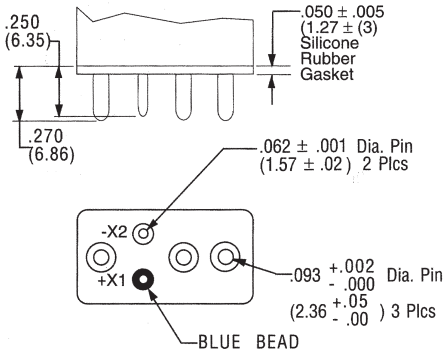
FCA-125 Series, 25 Amperes, SPDT (Continued)

Below are shown the standard terminal types and the enclosures available. Specify the assembly as indicated under How To Order. Dimensions are shown in inches ± .010 and (Millimeters ± .25).

Terminals

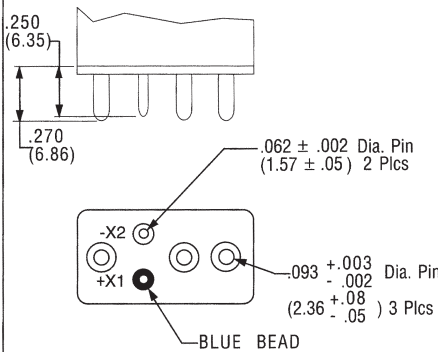
CODE "A"

Socket Pins - All DC Coils
PIN TERMINALS ARE GOLD PLATED



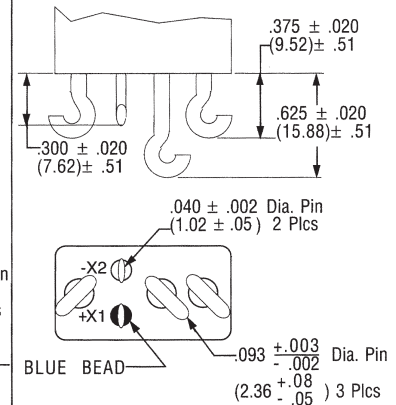
CODE "B"

Solder Pin Terminals
PIN TERMINALS TIN/LEAD PLATED



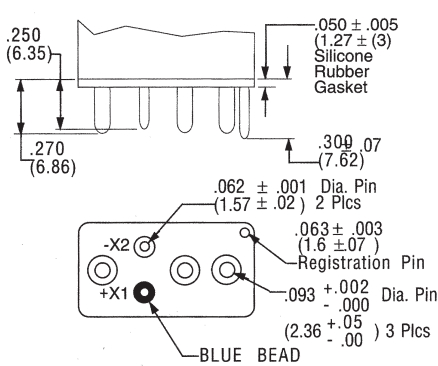
CODE "C"

Solder Hook Terminals
HOOK TERMINALS TIN/LEAD PLATED



CODE "D"

Socket Pins - All AC Coils
PIN TERMINALS ARE GOLD PLATED



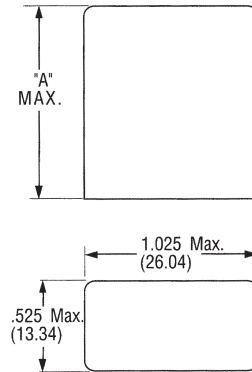
Enclosures

All Enclosures have cupro-Nickel cans bright acid tin/lead plated after assembly to terminal headers.

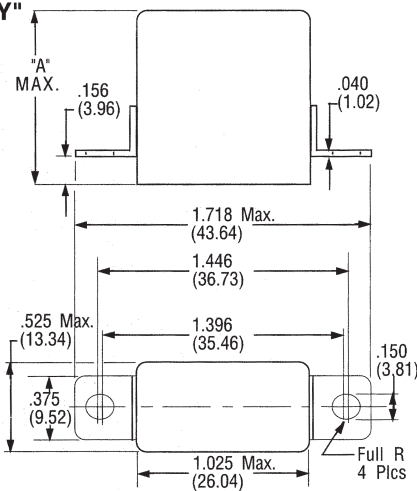
Dimensions: Inches ± .010 (mm ± .25)

"A" - AC Coils 1.125 in. (31.91) Max
DC Coils 1.010 in. (28.65) Max..

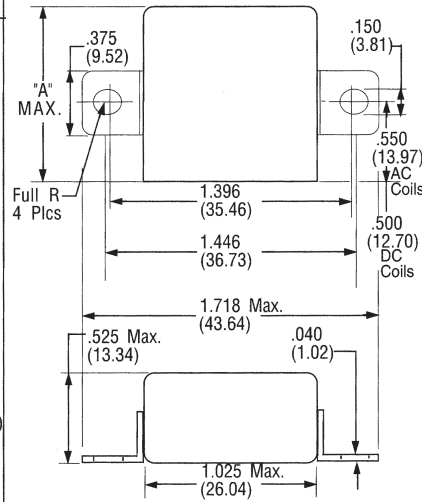
CODE "Z"



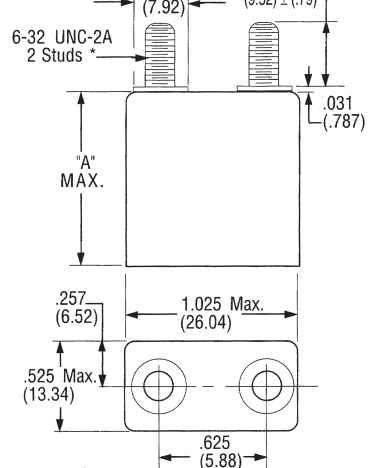
CODE "Y"



CODE "X"



CODE "W"

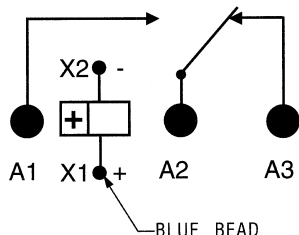


*Metric threads available. To specify use \square in place of \square

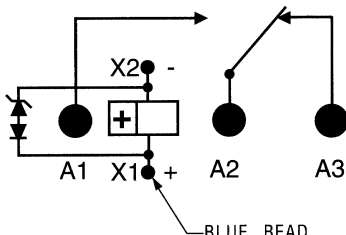
FCA-125 Series, 25 Amperes, SPDT (Continued)

Terminal Wiring

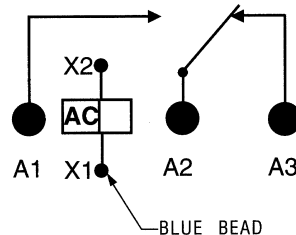
DC COILS



DC COILS WITH TRANSIENT SUPPRESSION



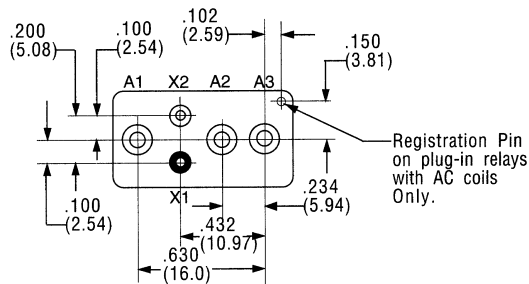
AC COILS



NOTE: Polarity must be observed with DC coil supply. Relay is polarized with a permanent magnet and will not operate or be damaged by reverse polarity.

Diodes used in transient suppression and in AC rectifier circuits have peak inverse voltage rating of 600 VDC minimum. Zener diodes have a minimum rating of 1 watt.

Terminal designations are for reference only and do not appear on the header.



TERMINAL VIEW

HOW TO ORDER

FCA-125-A Y 4

RELAY TYPE _____

TERMINALS (Socket Pins, DC Coil) _____

ENCLOSURE (With Flanges) _____

COIL (28 VDC With Transient Suppression). _____

NOTE: Only DC coil models are QPL Approved

* The part number example shown on this page is for catalog items. For a list of specific QPL part numbers, please see the index in Section 15.

CII FC-325 Series Relays

Product Facts

- Non-latching Hermetically Sealed Relay
- Corrosion protected metal can
- All welded construction.
- 1.5 inch cube enclosure
- 0.452 lbs
- Excellent for switching harsh inductive, motor, and lamp loads
- -70°C to +125°C temperature range
- 80,000 feet altitude rating
- 28 Vdc or 115 Vac coils
- Solder hook or terminal block configurations
- Qualified to MS27418 specifications
- Higher current ratings than standard M83536 mid-range relays
- 3-Pole 25A Contacts (FORM X) Switching in 1.5 inch³
- Main contacts are suitable for use in 360-800 Hz variable frequency application

Applications

- Launch Systems
- Power Distribution
- Fuel Pumps
- Guidance and Navigation Systems
- Aircraft Galley/Cabin Equipment
- Weapons Systems
- Ground Support Equipment

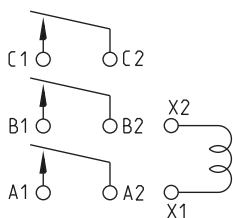


FC-325 Series relays from TE Connectivity (TE) are hermetically sealed devices designed for harsh inductive, motor, and lamp load applications in aerospace, defense, and marine markets.

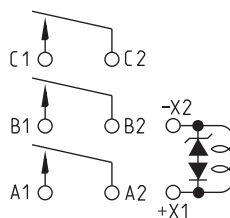
Configured as a 3PST/NO (DM), the double make/break contact design of the CII FC-325 Series relays

offer higher capability than comparable relays in the market. It shares the load across two contact sets, resulting in less wear and tear on the relay. This provides stable performance and extends the relay's life. The relay's all welded design creates a reliable alternative to similar solder sealed relays in the market.

Circuit Diagram



DC Nonsuppressed and AC Coils



DC Suppressed Coils

Coil Characteristics

| Code | 115 Vac 50/60 Hz | 115 Vac 400 Hz | 28 Vdc | 28 Vdc (Suppressed) |
|--------------------------------------------------------------------------|---------------------|-------------------|--------|------------------------|
| Nominal operating voltage | 115 | 115 | 28 | 28 |
| Maximum operating voltage | 122 | 122 | 32 | 32 |
| Maximum pick-up voltage over temperature range | 95 | 95 | 18 | 18 |
| Maximum pick-up voltage over temperature range (Continuous Current test) | 108 | 108 | 22.5 | 22.5 |
| Drop-out voltage over temperature range | 5.0 | 5.0 | 1.5 | 1.5 |
| Coil current at +25° C (amperes) | .06 | .055 | - | - |
| Coil resistance - DC Coils (*) | - | - | 160 | 160 |
| Back EMF Suppression to (VDC) | - | - | - | 42 |

Contact Characteristics

| Load Type | Life Cycles | Current Rating (A) | | | | |
|----------------------------------|-------------|--------------------|------------------------|----------|----------------------------|----------|
| | | 28 Vdc | 115 Vac, 1 Phase Power | | 115/200 Vac, 3 Phase Power | |
| | | | 400 Hz | 50/60 Hz | 400 Hz | 50/60 Hz |
| Resistive | 50,000 | 25 | 25 | 25 | 25 | 25 |
| Inductive | 10,000 | 15 | 25 | 25 | 25 | 25 |
| Motor | 50,000 | 20 | 20 | 12 | 20 | 12 |
| Lamp | 50,000 | 10 | 10 | 10 | 10 | 10 |
| Mechanical Life, Reduced Current | 200,000 | 6.3 | 6.3 | 6.3 | 6.3 | 6.3 |

* For other coil voltages consult factory.

General Specifications

- Temperature Rating — -70°C to +125°C
- Altitude — 80,000 Feet
- Shock — 50 g/11 ms
- Sinusoidal Vibration — 10 g/5 to 1000 Hz

Electrical

- Dielectric Strength at Sea Level: Coil to Case — 1250 Vrms
- All Other Points — 1500 Vrms
- Dielectric Strength at 80,000 ft (25,000 m) — 500 Vrms (all points)
- Insulation Resistance at 500 Vdc: Initial — 100 MΩ min.
- After Life or Environmental Test — 50 MΩ min.
- Contact Voltage Drop at Nominal Current: Initial Value — 150 mV max.
- After Life — 175 mV max.

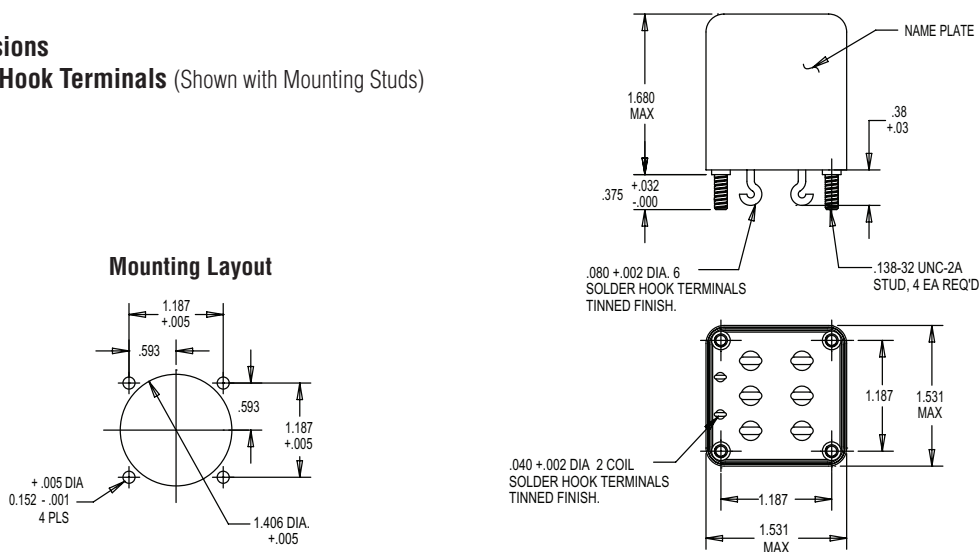
Operational

- Operate Time at Nominal Voltage: AC — 25 ms max.
- DC — 20 ms max.
- Release Time at Nominal Voltage: AC — 50 ms max.
- DC — 10 ms max.
- Bounce Time at Nominal Voltage — 2 ms max.

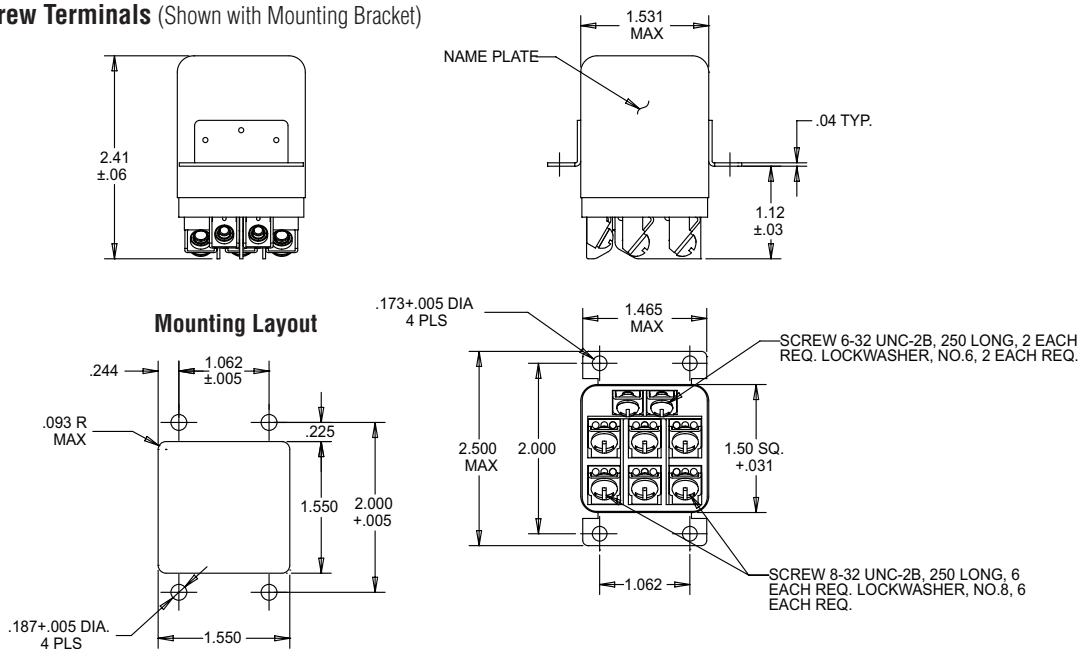
CII FC-325 Series Relays (Continued)

Dimensions

Solder Hook Terminals (Shown with Mounting Studs)



Screw Terminals (Shown with Mounting Bracket)



Tolerances are ±.010 unless otherwise noted.

Part Numbers

| Coil | Terminal | Mounting | Mil Spec | Comm'l Part No. | Part No. |
|------------------------|-------------|----------|------------|-----------------|----------|
| 28 Vdc | Solder Hook | Stud | MS27418-1B | FC-325-CW3 | FC-325-2 |
| | Screw | Bracket | MS27418-2B | FC-325-SY3 | FC-325-5 |
| 28 Vdc (Suppressed) | Solder Hook | Stud | MS27418-1D | FC-325-CW4 | FC-325-7 |
| | Screw | Bracket | MS27418-2D | FC-325-SY4 | FC-325-8 |
| 115 Vac, 50/60 Hz | Solder Hook | Stud | MS27418-1C | FC-325-CW9 | FC-325-3 |
| | Screw | Bracket | MS27418-2C | FC-325-SY9 | FC-325-6 |
| 115 Vac, 400 Hz | Solder Hook | Stud | MS27418-1A | FC-325-CW8 | FC-325-1 |
| | Screw | Bracket | MS27418-2A | FC-325-SY8 | FC-325-4 |

Custom configurations are available. Consult TE.





Product Facts

- Hermetically Sealed
- All Welded Construction
- Balanced Force
- Permanent Magnet Drive
- Contacts — Silver Cadmium Oxide with Gold Plating
- Coils for DC, 50 to 400Hz and 400Hz AC
- Weight 2.89 ounces max. (82 grams)
- Qualified to M83536/32, /33

FCA-325 Series, 25 Amperes, 3PDT

The Series FCA-325 relay is a polarized single-side stable design, where the flux from a permanent magnet provides the armature holding force in the deactivated state, and its flux path is switched when combined with the coil flux in the operated state.

This results in appreciably increased contact pressure in both states over that of a spring return nonpolar design. We also manufacture other versions of this relay:

FCA-125 — 25 Amp SPDT Relay

FCAC-325 — 25 Ampere 3PST-NO Relay with 2 amp SPDT auxiliary

General Specifications

Temperature Rating — -70°C TO + 125°C

Altitude — 300,000 Feet

Shock* —
Z, Y, & V Enclosures — 200 g for 6 mS
W, X & M Enclosures — 100 g for 6 mS

Vibration, Sinusoidal* —
Z, Y, & V Enclosures — 30 g 33-3000Hz
W, X & M Enclosures — 20 g 33-3000Hz

Vibration, Random* —
Z, Y, & V Enclosures — 0.4 g²/Hz 50-2000Hz
W, X & M Enclosures — 0.2 g²/Hz 50-2000Hz

Dielectric Strength —
At Sea Level —
All circuits to ground and circuit to circuit — 1250 V rms
Coil to ground — 1000 V rms
At 80,000 Feet — 350 V rms

Insulation Resistance —
Initial (500 VDC) — 100 MΩ Min.
After Life or Environmental Tests — 50 MΩ Min.

Operate Time at Nominal Voltage —
DC Relays — 15 ms or less
AC Relays — 20 ms or less

Release Time at Nominal Voltage —
DC Relays — 15 ms or less
AC Relays — 50 ms or less

* Max. contact opening under vibration or shock 10 microseconds

Contact Rating — Amperes Ratings Are Continuous Duty

| Type of Load | Life (Min.) Cycles x 10 ³ | 28 VDC | 115VAC 400Hz | 115/200VAC | |
|--------------|--------------------------------------|--------|--------------|------------|----------|
| | | | | 400Hz-3Ø | 60Hz-3Ø* |
| Resistive | 50 | 25 | 25 | 25 | 2.5 |
| Inductive | 10 | 12 | — | — | 2.5 |
| Inductive | 20 | — | 15 | 15 | — |
| Motor | 50 | 10 | 10 | 10 | 2.0 |
| Lamp | 50 | 5 | 5 | 5 | 1.0 |

*60 Hz loads rated for 10,000 operations

Overload Current — 50 AMPS DC, 80 AMPS 400Hz

Rupture Current — 60 AMPS DC, 100 AMPS 400Hz

Contact Make Bounce —1 MILLISECOND AT NOMINAL VOLTAGE

Max. Contact Drop at 25 Amps — INITIAL 0.150 VOLTS

End of Life — 0.175 VOLTS

Coil Data

| Coil Code | Nominal Voltages | Freq. Hz | DC Res. AC Amps (B) | Over Temperature Range | | |
|-----------|------------------|-----------|---------------------|------------------------|------------------------|-----------------------|
| | | | | Pickup or Below Volts | Dropout or Above Volts | Must Hold Voltage (C) |
| 1 | 6 | DC | 18 Ω | 4.5 | 0.3 | 2.5 |
| 2 | 12 | DC | 70 Ω | 9.0 | 0.75 | 4.5 |
| 3 | 28 | DC | 290 Ω | 18.0 | 1.5 | 7.0 |
| 4 (A) | 28 | DC | 290 Ω | 18.0 | 1.5 | 7.0 |
| 5 | 48 | DC | 865 Ω | 32.0 | 2.5 | 14.0 |
| 6 | 28 | 400Hz | 225 mA | 22.0 | 1.25 | 10.0 |
| 7 | 28 | 50/400Hz | 120 mA | 22.0 | 1.25 | 10.0 |
| 8 | 115 | 400 Hz | 40 mA | 90.0 | 5.0 | 40.0 |
| 9 | 115 | 50/400 Hz | 30 mA | 95.0 | 5.0 | 40.0 |

- A. CODE 4 COILS HAVE BACK EMF SUPPRESSION TO 42 VOLTS MAX.
- B. DC COIL RESISTANCE ± 10% AT 25°C; AC COIL MAX. CURRENT AT NOMINAL VOLTAGE.
- C. RELAY WILL STAY IN PICKED-UP STATE DOWN TO MUST HOLD VOLTAGES SHOWN.
- D. MAX. OVER-VOLTAGE: 6 & 12 VDC COILS 120% OF NOMINAL; ALL OTHERS 110% OF NOMINAL.
- E. COILS AVAILABLE FOR OTHER VOLTAGES AND FOR AC 50/60HZ.

NOTE: Only DC Coil Models are QPL Approved.

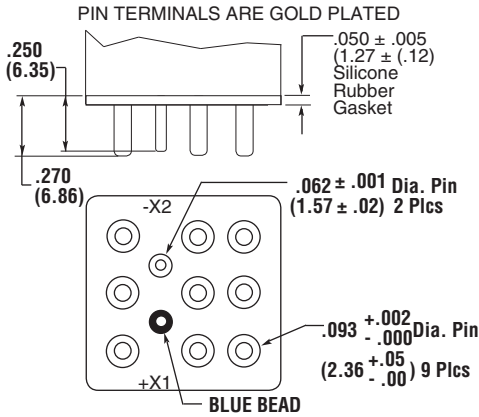
FCA-325 Series, 25 Amperes, 3PDT (Continued)

Below are shown the standard terminal types and the enclosures available. Specify the assembly as indicated under How To Order. Dimensions are shown in inches ± .010 and (Millimeters ± .25).

Terminals

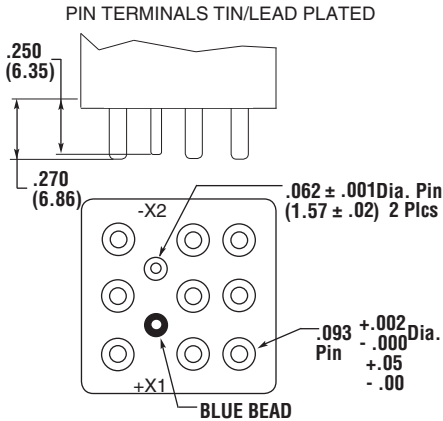
CODE

“A” Socket Pins - All DC Coils



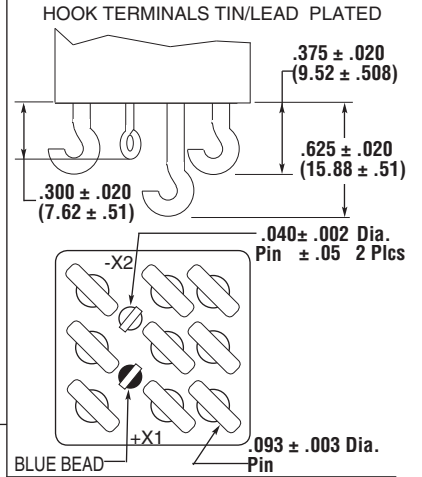
CODE

“B” Solder Pin Terminals



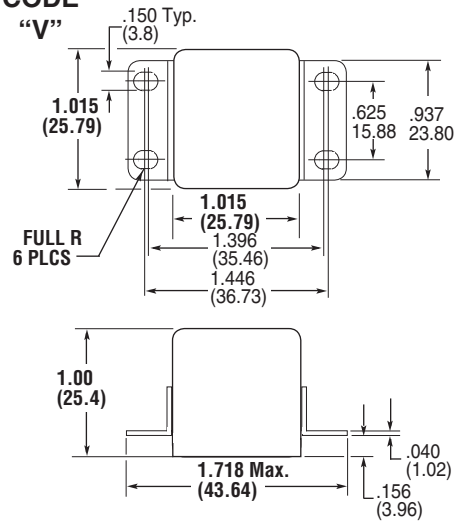
CODE

“C” Solder Hook Terminals



CODE

“V”

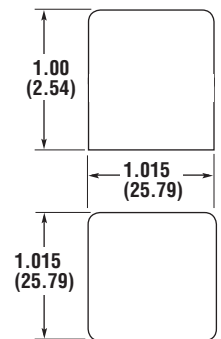


Enclosures

All Enclosures have cupro-Nickel cans bright acid tin/lead plated after assembly to terminal headers.
 Dimensions: Inches ± .010 (mm ± .25)
For socket pin terminals: specify “V” enclosures with DC coils and “V” enclosures with AC coils.

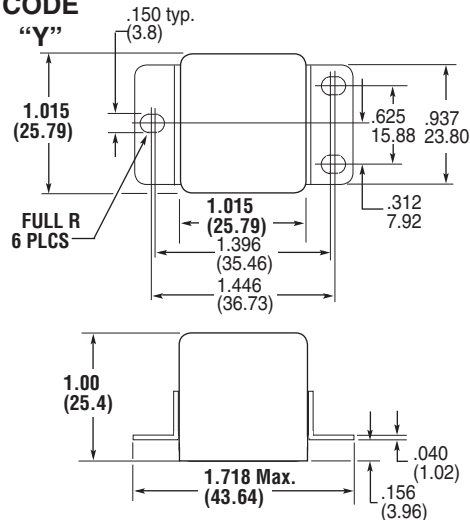
CODE

“Z”



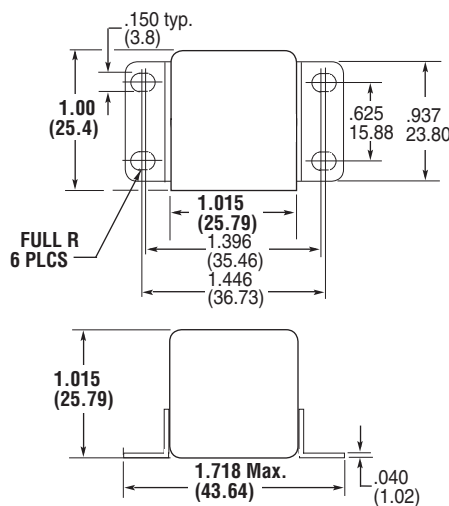
CODE

“Y”



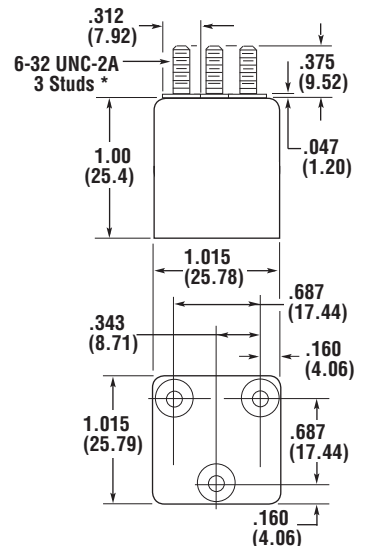
CODE

“X”



CODE

“W”



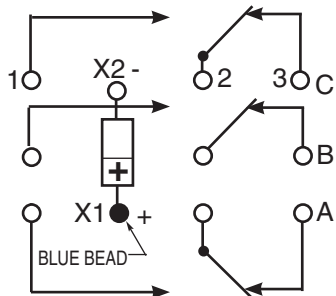
*Metric threads available, To specify use \square in place of \square

5 CII Mid-Range Relays

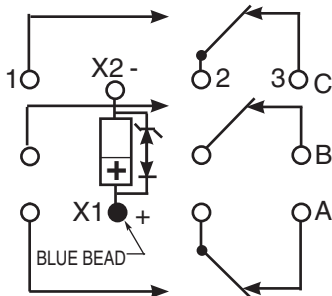
FCA-325 Series, 25 Amperes, 3PDT (Continued)

Terminal Wiring

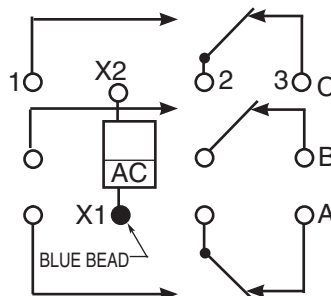
DC Coils



DC Coils with Transient Suppression



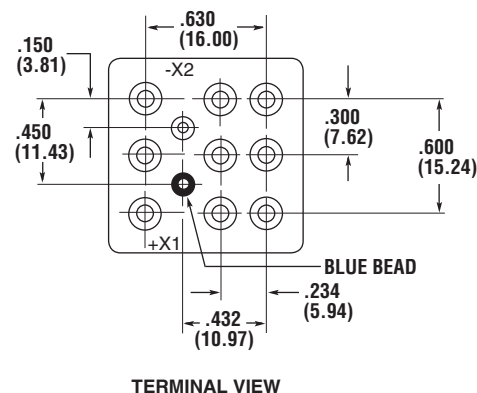
AC Coils



NOTE: Polarity must be observed with DC coil supply. Relay is polarized with a permanent magnet and will not operate or be damaged by reverse polarity.

Diodes used in transient suppression and in AC rectifier circuits have peak inverse voltage rating of 600 VDC minimum. Zener diodes have a minimum rating of 1 watt.

Terminal designations are for reference only and do not appear on the header.



HOW TO ORDER

FCA-325-A Y 4

RELAY TYPE _____

TERMINALS (Socket Pins, DC Coil) _____

ENCLOSURE (With Flanges) _____

COIL (28 VDC With Transient Suppression). _____

NOTE: Only DC coil models are QPL Approved

* The part number example shown on this page is for catalog items. For a list of specific QPL part numbers, please see the index in Section 15.



Product Facts

- Hermetically Sealed
- All Welded Construction
- Balanced Force
- Permanent Magnet Drive
- Contacts — Silver Cadmium Oxide with Gold Plating
- Coils for DC, 50 to 400Hz and 400Hz AC
- Weight 2.89 ounces max. (82grams)

FCAC-325 Series, 25 Amperes, 3PST-NO with 2 Amp SPDT Auxiliary Contacts

The Series FCAC-325 relay is a polarized single-side stable design, where the flux from a permanent magnet provides the armature holding force in the deactivated state, and its flux path is switched by the coil flux in the operated state. This results in appreciably increased contact pressure

in both states over that of a spring return nonpolar design. We also manufacture other versions of this relay:

FCA-125 — 25 Ampere SPDT Relay

FCA-325 — 25 Ampere DPDT Relay

General Specifications

- Temperature Rating** — -70°C TO + 125°C
- Altitude** — 300,000 Feet
- Shock*** — Z, Y, & V Enclosures — 200 g for 6 mS
W, X & M Enclosures — 100 g for 6 mS
- Vibration, Sinusoidal*** — Z, Y, & V Enclosures — 30 g 33-3000Hz
W, X & M Enclosures — 20 g 33-3000Hz
- Vibration, Random*** — Z, Y, & V Enclosures — 0.4 g²/Hz 50-2000Hz
W, X & M Enclosures — 0.2 g²/Hz 50-2000Hz
- Dielectric Strength** — At Sea Level — All circuits to ground and circuit to circuit — 1250 V rms
Coil to ground — 1000 V rms
At 80,000 Feet — 350 V rms
- Insulation Resistance** — Initial (500 VDC) — 100 MΩ Min.
After Life or Environmental Tests — 50 MΩ Min.
- Operate Time at Nominal Voltage** — DC Relays — 15 ms or less
AC Relays — 10 ms or less
- Release Time at Nominal Voltage** — DC Relays — 15 ms or less
AC Relays — 50 ms or less

Contact Rating — Amperes Ratings Are Continuous Duty

| Type of Load | Life (Min.) Cycles x10 ³ | 28 VDC | | 115VAC 400Hz | | 115/200VAC 400Hz-3Ø | 115/200VAC 60Hz-3Ø* |
|--------------|-------------------------------------|--------|------|--------------|------|---------------------|---------------------|
| | | Main | Aux. | Main | Aux. | | |
| Resistive | 50 | 25 | 2 | 25 | 2 | 25 | 2.5 |
| Inductive | 10 | 12 | 1 | — | — | — | 2.5 |
| Inductive | 20 | — | — | 15 | 1 | 15 | — |
| Motor | 50 | 10 | — | 10 | — | 10 | 2.0 |
| Lamp | 50 | 5 | .5 | 5 | .5 | .5 | 1.0 |

*60 Hz loads rated for 10,000 operations

- Overload Current** — 50 AMPS DC, 80 AMPS 400Hz
- Rupture Current** — 60 AMPS DC, 100 AMPS 400Hz
- Contact Make Bounce** — 1 MILLISECOND AT NOMINAL VOLTAGE
- Auxiliary Contact Bounce** — 4 MILLISECONDS MAX.
- Max. Contact Drop at 25 Amps** — INITIAL 0.150 VOLTS
- End of Life** — 0.175 VOLTS

Coil Data

| Coil Code | Nominal Voltages | Freq. Hz | DC Res. AC Amps (B) | Over Temperature Range | | |
|-----------|------------------|-----------|---------------------|------------------------|------------------------|-----------------------|
| | | | | Pickup or Below Volts | Dropout or Above Volts | Must Hold Voltage (C) |
| 1 | 6 | DC | 18 Ω | 4.5 | 0.3 | 2.5 |
| 2 | 12 | DC | 70 Ω | 9.0 | 0.75 | 4.5 |
| 3 | 28 | DC | 290 Ω | 18.0 | 1.5 | 7.0 |
| 4 (A) | 28 | DC | 290 Ω | 18.0 | 1.5 | 7.0 |
| 5 | 48 | DC | 865 Ω | 32.0 | 2.5 | 14.0 |
| 6 | 28 | 400Hz | 225 mA | 22.0 | 1.25 | 10.0 |
| 7 | 28 | 50/400Hz | 120 mA | 22.0 | 1.25 | 10.0 |
| 8 | 115 | 400 Hz | 40 mA | 90.0 | 5.0 | 40.0 |
| 9 | 115 | 50/400 Hz | 30 mA | 95.0 | 5.0 | 40.0 |

- A. CODE 4 COILS HAVE BACK EMF SUPPRESSION TO 42 VOLTS MAX.
- B. DC COIL RESISTANCE ± 10% AT 25°C; AC COIL MAX. CURRENT AT NOMINAL VOLTAGE.
- C. RELAY WILL STAY IN PICKED-UP STATE DOWN TO MUST HOLD VOLTAGES SHOWN.
- D. MAX. OVERVOLTAGE: 6 & 12 VDC COILS 120% OF NOMINAL; ALL OTHERS 110% OF NOMINAL.
- E. COILS AVAILABLE FOR OTHER VOLTAGES AND FOR AC 50/60HZ.

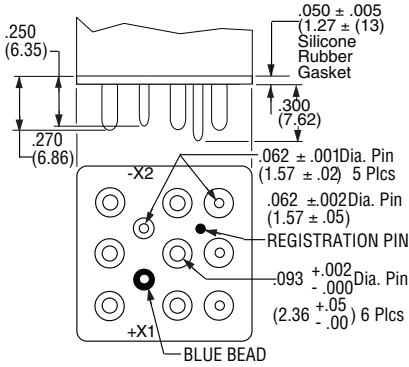


FCAC-325 Series (Continued)

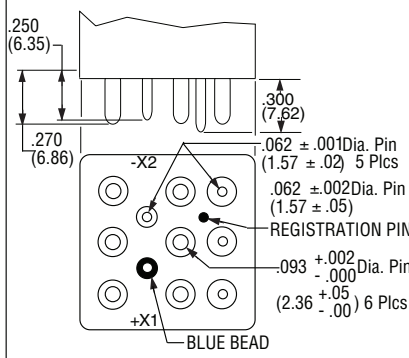
Below are shown the standard terminal types and the enclosures available. Specify the assembly as indicated under How To Order. Dimensions are shown in inches ± .010 and (Millimeters ± .25).

Terminals

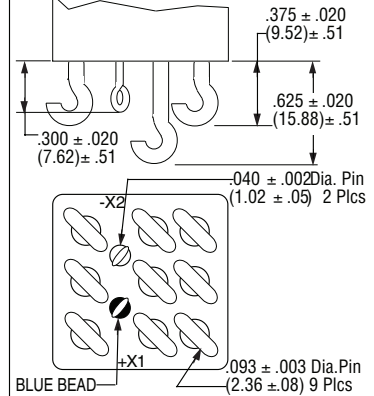
CODE "A"
Socket Pin Terminals
Pin Terminals are Gold Plated



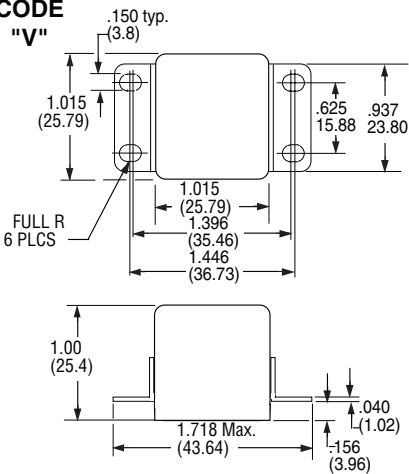
CODE "B"
Solder Pin Terminals
Pin Terminals are Tin/Lead Plated



CODE "C"
Solder Hook Terminals
Hook Terminals are Tin/Lead Plated



CODE "V"



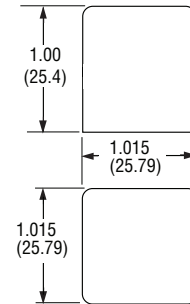
ENCLOSURES

All Enclosures have cupro-Nickel cans bright acid tin/lead plated after assembly to terminal headers.

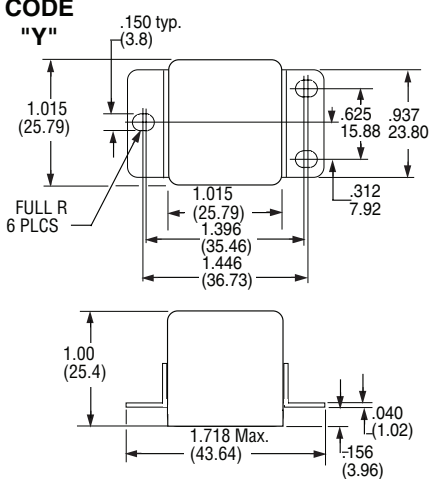
Dimensions: Inches ± .010 (mm ± .25)

For socket pin terminals: specify "Y" enclosures with DC coils and "V" enclosures with AC coils.

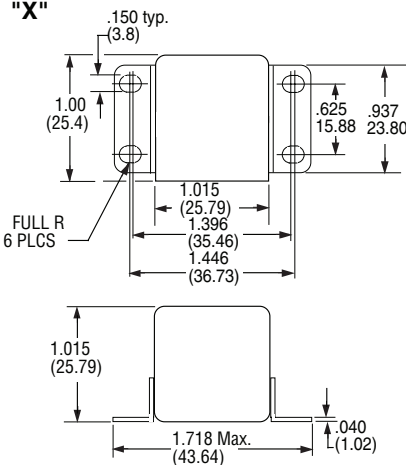
CODE "Z"



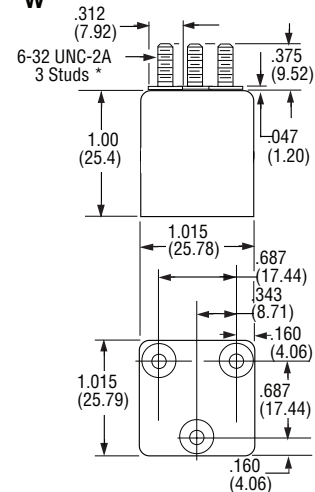
CODE "Y"



CODE "X"



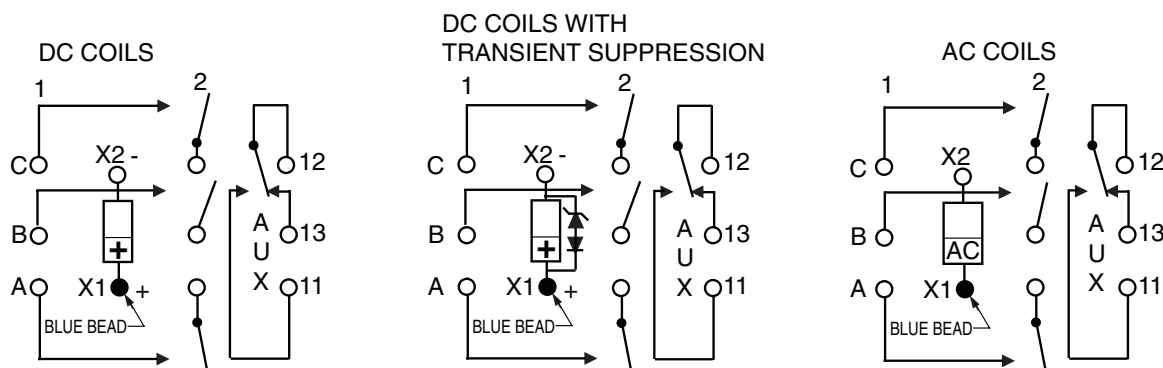
CODE "W"



*Metric threads available, To specify use **M** in place of **U**

FCAC-325 Series (Continued)

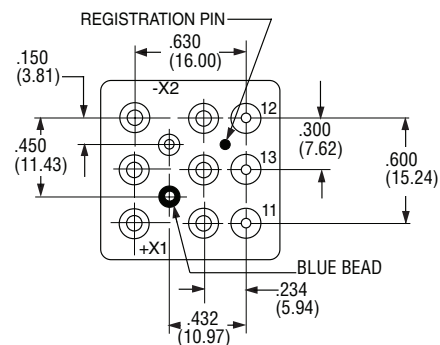
Terminal Wiring



NOTE: Polarity must be observed with DC coil supply. Relay is polarized with a permanent magnet and will not operate or be damaged by reverse polarity.

Diodes used in transient suppression and in AC rectifier circuits have peak inverse voltage rating of 600 VDC minimum. Zener diodes have a minimum rating of 1 watt.

Terminal designations are for reference only and do not appear on the header.



TERMINAL VIEW

HOW TO ORDER

FCAC-325 -A Y 4

RELAY TYPE _____

TERMINALS (Socket Pins, DC Coil) _____

ENCLOSURE (With Flanges and DC Coil) _____

COIL (28 VDC With Transient Suppression) _____

FCA-150 Series, 50 Amps, 1PST/NO (DM) Relay

Product Facts

- 50,000 cycles under resistive load
- Corrosion-protected, hermetically sealed metal enclosure
- -70° to +125°C temperature range
- Rated for altitude to 300,000 ft. in high-vibration, high-shock environments
- 1 Form X (SPST-NO-DM) contact
- Meets MIL-PRF-6106 requirements
- 50 A switching capability
- Balanced force design
- One cubic inch in size
- <90 grams total weight
- Non-latching relay
- Available with 1 Form C (SPDT) 2 A auxiliary contact
- 6, 12 and 28 Vdc coils available
- Optional transient suppression



The FCA-150 series relay from TE Connectivity (TE) is a polarized, single-side stable design, where the flux from a permanent magnet provides the armature holding force in the deactivated state, and its flux path is switched and combined with the coil flux in the operated state. This results in appreciably increased contact force in both states over that of a spring return non-polarized

design. The FCAC-150 series has a 1 Form C (SPDT) auxiliary contact set rated at 2 A. Designed and built to perform under the most demanding environmental conditions, FCA-150 series relays withstand such changing environmental factors as temperature, altitude, shock, vibration, and salt spray. Minimum mechanical life expectancy is 50,000 cycles under resistive load.

Performance Data

Electrical Characteristics

Initial Insulation Resistance — 100 MΩ, minimum, at 500 Vdc, between each pin and case

Insulation Resistance After Life or Environmental Test — 50 MΩ, minimum, at 500 Vdc, between each pin and case

Dielectric Strength at Sea Level:

Contacts to Ground and Between Contacts — 1250 Vrms, 60 Hz
Coil to Ground — 1000 Vrms, 60 Hz
Dielectric Strength at 80,000 ft (25,000 m) — 500 Vrms, 60 Hz (all points)

Environmental

Ambient Temperature Range, Operating— 70°C to +125°C

Altitude— 300,000 ft

Shock Resistance— 50 G, 11 ms

Vibration Resistance, Sinusoidal— 20 G, 75-3000 Hz

Specifications

Contact Data

Contact Form 1 Form X (SPST-NO-DM)

Contact Rating in Amps (Continuous Duty)

| Type of Load | Life (Min.) Cycles | 28 Vdc |
|---------------------|--------------------|--------|
| Resistive | 50,000 | 50 |
| Inductive (L/R=5ms) | 20,000 | 20 |
| Motor | 200,000 | 20 |
| None | 100,000 | — |

Overload Current (Resistive) 200 A, 50 cycles

Max. Contact Drop at 10A Initial 150mV; After Life 175mV

Operate Time at Nominal Voltage 15ms

Release Time 15ms

Bounce Time 1ms

Coil Data

| Coil Code | 1 | 2 | 3 | 4 |
|------------------------------------------------------------------|-----------|------------|-----------|-----------|
| Nominal Operating Voltage (Vdc) | 6 | 12 | 28 | 28 |
| Maximum Operating Voltage (Vdc) | 7.3 | 14.5 | 29 | 29 |
| Maximum Pick-Up Voltage at +125°C | 4.5 | 9 | 18 | 18 |
| Maximum Pick-Up Voltage at +125°C, continuous current test (Vdc) | 5.7 | 11.25 | 22.5 | 22.5 |
| Drop-Out Voltage at +125°C | 0.3 – 2.5 | 0.75 – 4.5 | 1.5 – 7.0 | 1.5 – 7.0 |
| Maximum Coil Current at +25°C (mA) | .50 | .26 | .15 | .15 |
| Back EMF Suppressed to (Vdc) (Max) | N/A | N/A | N/A | -42 |
| Coil Resistance ±10% | 18Ω | 70Ω | 290Ω | 290Ω |

FCA-150 Series, 50 Amps, 1PST/NO (DM) Relay (Continued)

Specifications

Electrical Data

| | |
|-----------------------------------------------------------------|------------------------------------------------------------|
| Initial Insulation Resistance (note 1) | 100 megohms, minimum, at 500Vdc, between each pin and case |
| Insulation Resistance After Life or Environmental Test (note 1) | 50 megohms, minimum, at 500Vdc, between each pin and case |
| Dielectric Strength At Sea Level | |
| Contacts to Ground and Between Contacts | 1,250Vrms, 60 Hz. |
| Coil to Ground | 1,000Vrms, 60 Hz. |
| Dielectric Strength at 80,000 ft (25,000m), All Points (note 4) | |
| | 500Vrms, 60 Hz |

Environmental Data

| | |
|--------------------------------------|--------------------|
| Ambient Temperature Range, Operating | -70°C to +125°C |
| Altitude | 300,000 feet |
| Shock Resistance | 50 G's, 11 ms. |
| Vibration Resistance, Sinusoidal | 20 G's, 75-3000Hz. |

Mechanical Data

| | |
|--------------------|--------------------|
| Approximate Weight | 3.2 oz. (90g) Max. |
|--------------------|--------------------|

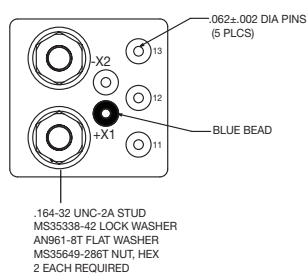
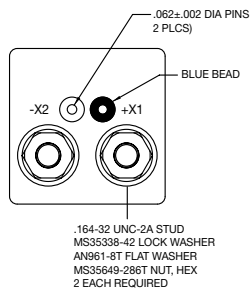
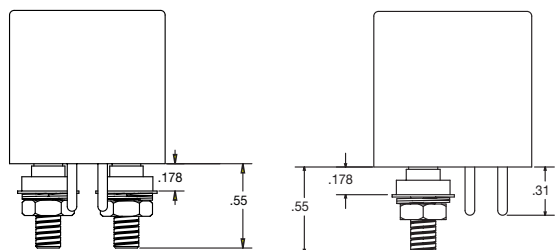
NOTES

1. All wired terminals must be connected together during this test. Dielectric withstanding voltage and insulation resistance are measured between all mutually insulated wired terminals and between all these terminals and case.

Terminals

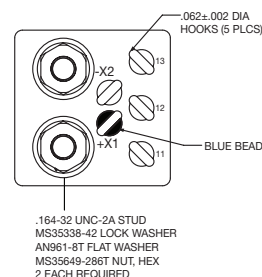
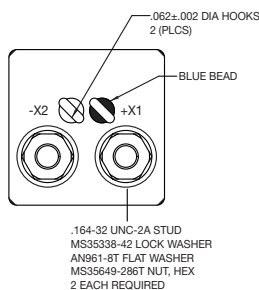
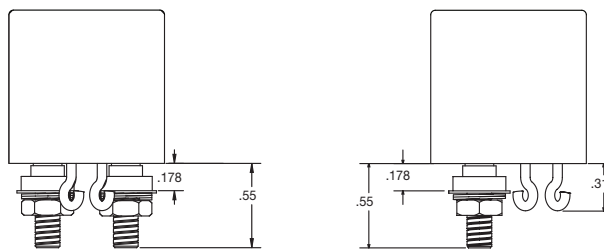
CODE "B"

Solder Pin Terminals — Tin/Lead Plated
FCA-150 FCAC-150



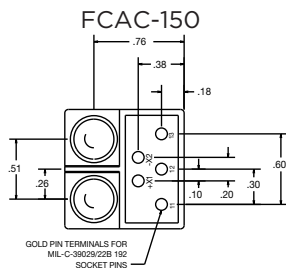
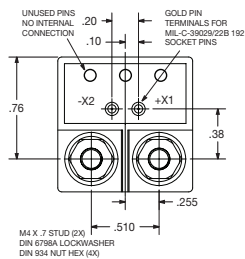
CODE "C"

Solder Hook Terminals — Tin/Lead Plated
FCA-150 FCAC-150



CODE "K"

Terminal Shield
FCA-150 FCAC-150



5 CII Mid-Range Relays

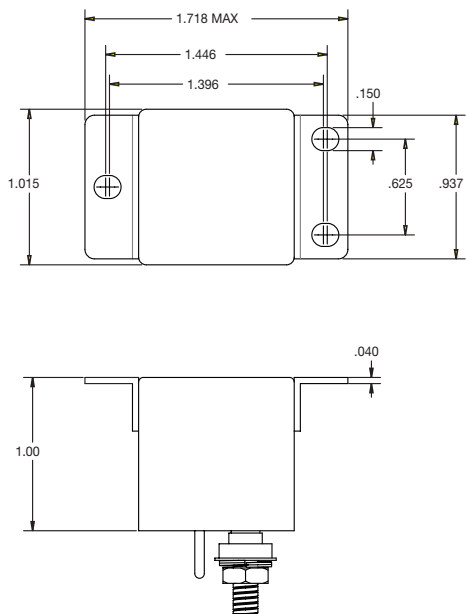
FCA-150 Series, 50 Amps, 1PST/NO (DM) Relay (Continued)

Outline Dimensions

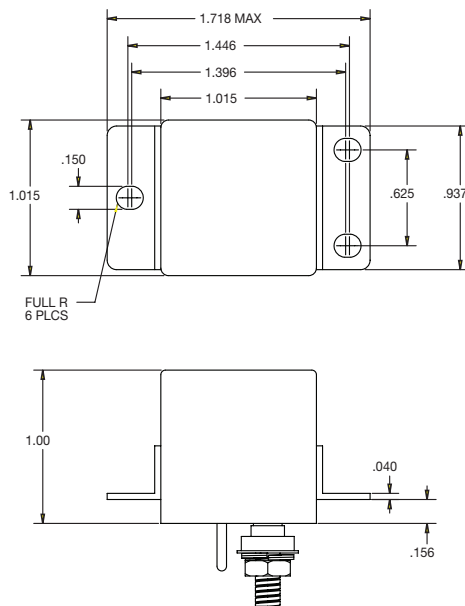
The standard terminal types and enclosures are illustrated below with dimensions in inches ± 0.010 and (millimeters ± 0.25).

Enclosures

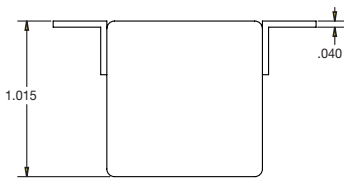
CODE "U"



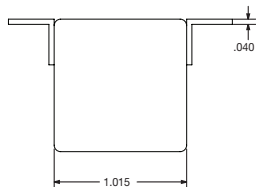
CODE "Y"



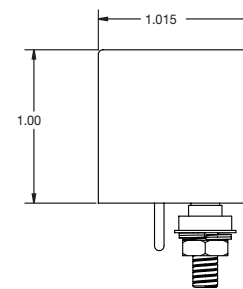
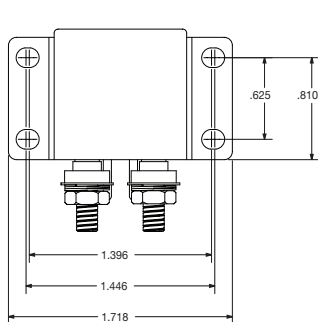
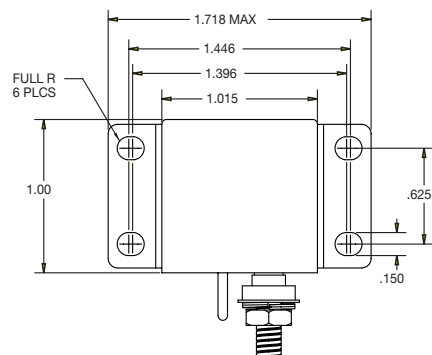
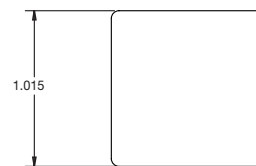
CODE "X"



CODE "R"



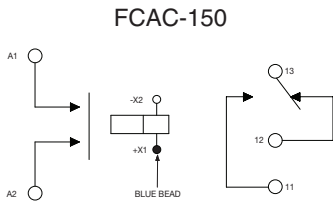
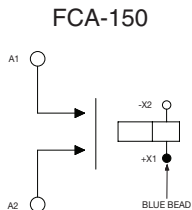
CODE "Z"



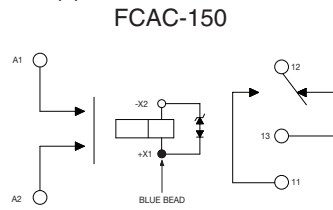
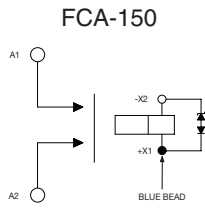
FCA-150 Series, 50 Amps, 1PST/NO (DM) Relay (Continued)

Terminal Wiring

DC Coils



DC Coils with Transient Suppression

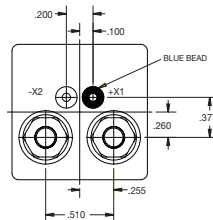


NOTE: Polarity must be observed with DC coil supply. Relay is polarized with a permanent magnet and will not operate or be damaged by reverse polarity.

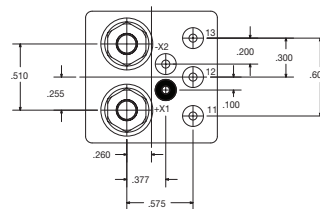
Diodes used in transient suppression and in AC rectifier circuits have peak inverse voltage rating of 600 VDC minimum. Zener diodes have a minimum rating of 1 watt.

Terminal designations are for reference only and do not appear on the header.

Terminal View
FCA-150



FCAC-150



How to Order

FCA-150 - B Y 3

Series And Contact Arrangement

- FCA-150 1 Form X Main Contacts
- FCAC-150 1 Form X Main Contacts and 1 Form C Auxiliary Contacts

Terminals (see drawings for details)

- B Solder Pin Coil Terminals, Stud Power Terminals
- C Solder Hook Coil Terminals, Stud Power Terminals
- K Terminal Block, Stud Power Terminals

Enclosure (see drawings for details)

- R Horizontal Flange Mount, Rotated
- U Flush Vertical Flange Mount
- X Horizontal Flange Mount
- Y Raised Vertical Flange Mount
- Z No Mount

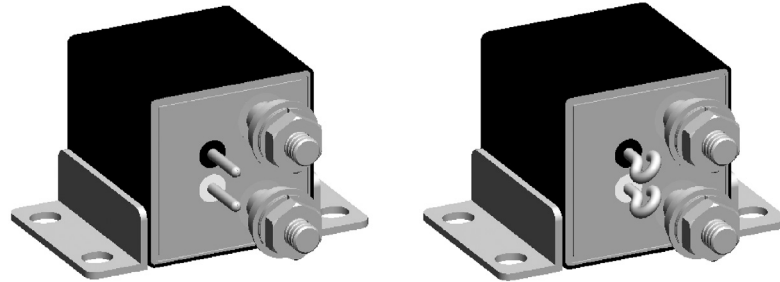
Coil Voltage (NOMINAL)

- 1 6 VDC
- 2 12 VDC
- 3 28 VDC
- 4 28 VDC Nominal, with Back EMF Suppression

FCA-150NC Series, 50 Amps, 1PST/NC (DB) Relay

Product Facts

- Non latching hermetically sealed relay
- Balanced force design
- Hermetically sealed, corrosion protected metal can
- All welded construction
- 6, 12 and 28Vdc coils available.
- Weight 90 grams
- Designed and built in accordance to MIL-PRF-6106



Specifications

General Characteristics

| | |
|------------------------------------------------------------------|---------------------|
| Temperature range | -70° C to +125° C |
| Altitude | 300,000 feet |
| Dielectric strength at sea level | |
| - Contacts to ground and between contacts | 1250 Vrms / 60 Hz |
| - Coil to ground | 1000 Vrms / 60 Hz |
| Dielectric strength at altitude 25000 m (80,000 ft) (all points) | 500 Vrms / 60 Hz |
| Initial insulation resistance at 500 Vdc | 100 MΩ min. |
| Initial insulation after life or environmental test | 50 MΩ min. |
| Sinusoidal vibration | 20g / 75 to 3000 Hz |
| Shock | 50g / 11 ms |
| Operate time at nominal voltage | 15 ms max. |
| Release time | 15 ms max. |
| Bounce time | 1 ms max. |
| Contact voltage drop at nominal current | |
| -initial value | 150 mV max. |
| -after life | 175 mV max. |

Coil Data

| Coil Code | 1 | 2 | 3 | 4(A) |
|------------------------------------------------------------------|-----------|------------|-----------|-----------|
| Nominal Operating Voltage (Vdc) | 6 | 12 | 28 | 28 |
| Maximum Operating Voltage (Vdc) | 7.3 | 14.5 | 29 | 29 |
| Maximum Pick-Up Voltage at +125°C | 4.5 | 9 | 18 | 18 |
| Maximum Pick-Up Voltage at +125°C, continuous current test (Vdc) | 5.7 | 11.25 | 22.5 | 22.5 |
| Drop-Out Voltage at +125°C | 0.3 – 2.5 | 0.75 – 4.5 | 1.5 – 7.0 | 1.5 – 7.0 |
| Maximum Coil Current at +25°C (mA) | .50 | .26 | .15 | .15 |
| Back EMF Suppressed to (Vdc) | N/A | N/A | N/A | -42 |
| Coil Resistance | 18Ω | 70Ω | 290Ω | 290Ω |

For other coil voltages, consult factory.

FCA-150NC Series, 50 Amps, 1PST/NC (DB) Relay (Continued)

Contact Electrical Characteristics

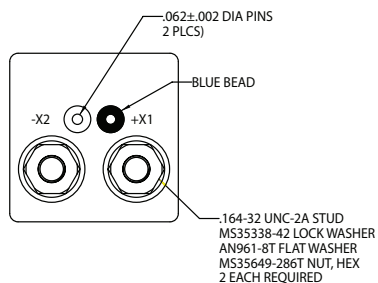
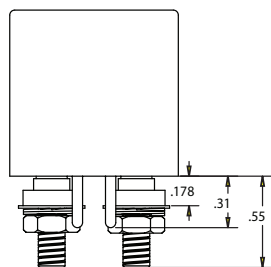
| Contact Type | Rated Current | Rated Voltage |
|--------------------------|-------------------------------------------------------|-----------------------|
| Main Contact | 50A | 28Vdc |
| Minimum Operating cycles | Contact rating per pole and load type MAIN Contact | Load Currents in Amps |
| 50,000 cycles | Resistive load | 50 |
| 20,000 cycles | Inductive load (L/R=5ms) | 20 |
| 20,000 cycles | Motor load | 20 |
| 50 cycles | Resistive overload | 200 |
| 100,000 cycles | No Load | |

All endurance ratings are subject to validation - consult factory

Terminals

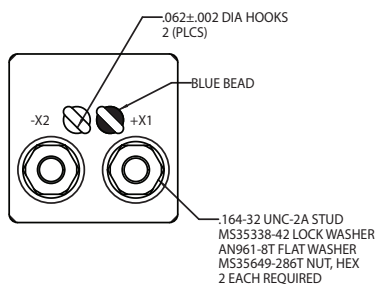
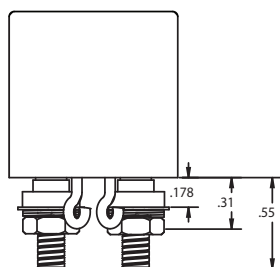
CODE "B"

Solder Pin Terminals
Tin/Lead Plated



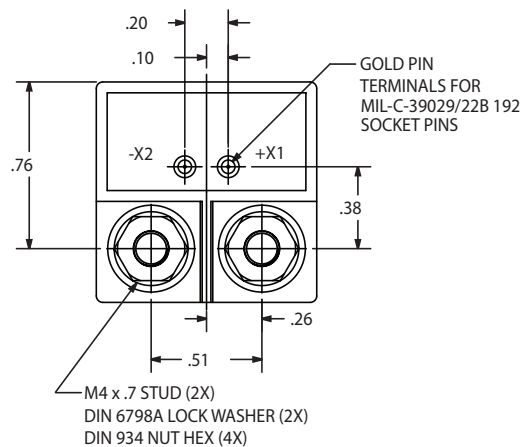
CODE "C"

Solder Hook Terminals
Tin/Lead Plated



CODE "K"

Terminal Shield



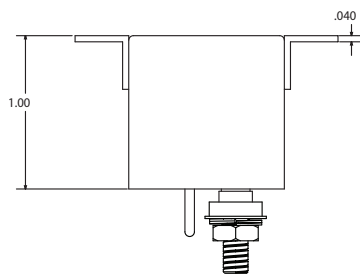
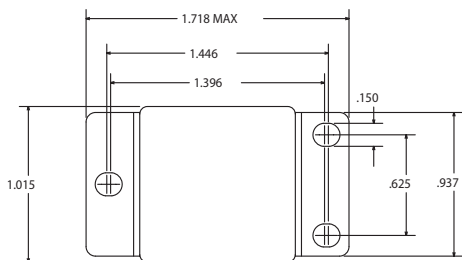
FCA-150NC Series, 50 Amps, 1PST/NC (DB) Relay (Continued)

Outline Dimensions

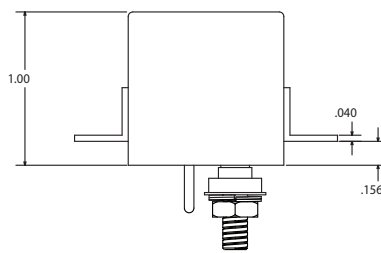
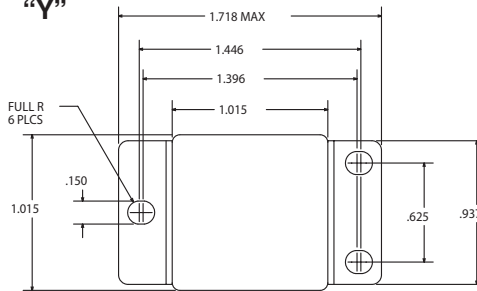
The standard terminal types and enclosures are illustrated below with dimensions in inches ± 0.010 and (millimeters ± 0.25).

Enclosures

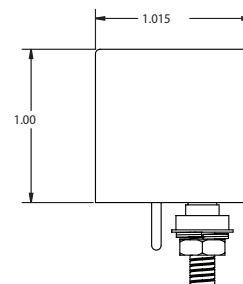
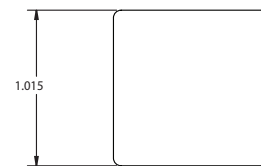
**CODE
"U"**



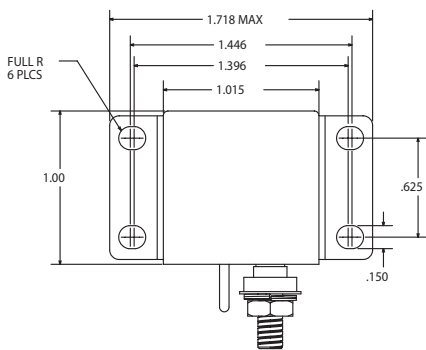
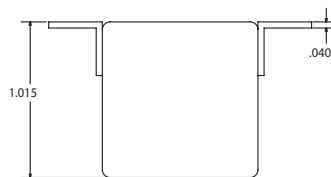
**CODE
"Y"**



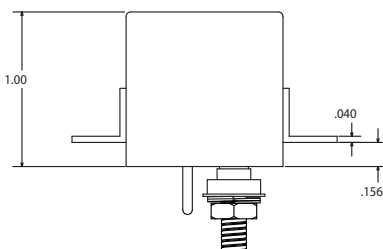
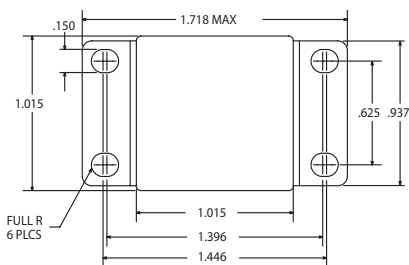
**CODE
"Z"**



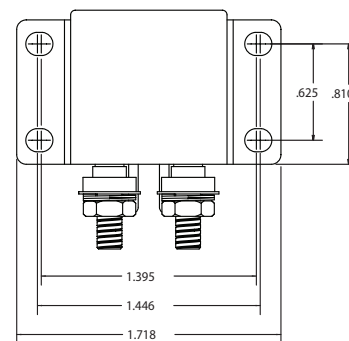
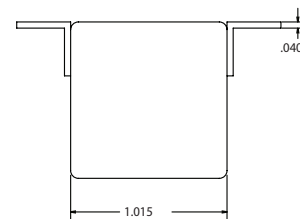
**CODE
"X"**



**CODE
"V"**



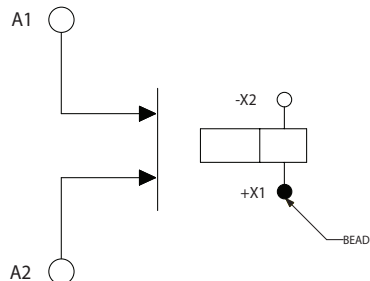
**CODE
"R"**



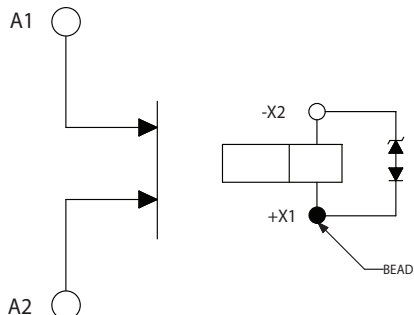
FCA-150NC Series, 50 Amps, 1PST/NC (DB) Relay (Continued)

Terminal Wiring

DC Coils



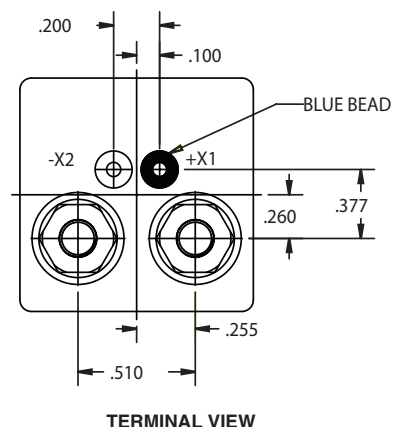
DC Coils with Transient Suppression



NOTE: Polarity must be observed with DC coil supply. Relay is polarized with a permanent magnet and will not operate or be damaged by reverse polarity.

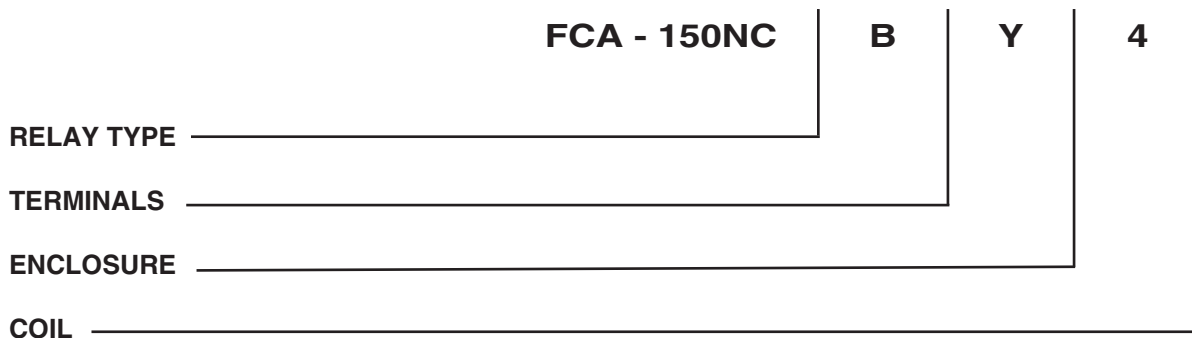
Diodes used in transient suppression and in AC rectifier circuits have peak inverse voltage rating of 600 VDC minimum. Zener diodes have a minimum rating of 1 watt.

Terminal designations are for reference only and do not appear on the header.



TERMINAL VIEW

PART NUMBERING SYSTEM



Selection and Application Guide

This selection and application guide is suggested practices from ARP (Aerospace Recommended Practice) 4005 Concerning proper performance of relays.

Caution:

The use of any coil voltage less than the rated coil voltage may compromise the operation of the relay. Choosing the proper relay depends primarily on matching the relay to the load, power supply, and environment. Selection should be limited to items that meet the following requirements:

- A. Contacts** must be rated for the load. Current rating, type of load (resistive, lamp, motor, inductive, and so forth), impedance range, voltage rating, DC or AC, frequency, single phase or polyphase, polyphase load balance, and type of switching or transfer should all be considered. Each of the following switching and transfer functions places a different requirement on each of the relay contacts and must be considered when selecting a relay with the proper contact rating:
 - (1) On-Off Switching - DC, single phase or polyphase
 - (2) Motor Reversing (AC or DC)
 - (3) Transferring load between phases of same source
 - (4) Transferring load between unsynchronized AC sources
- B. Power supply characteristics** must be taken into account. Voltage regulation, variations in frequency, ripples and spikes, as well as steady state conditions, should be included. If more than one power supply is involved, not only must each be suitable but interaction between them also should be investigated.
- C. Coil (or coils)** should be rated so as to have proper operation under all anticipated conditions.
- D. Consideration of environmental conditions** anticipated throughout the service of life, as well as those expected during storage and transportation before installing the relays in equipment, is mandatory. Electrical parameters, environmental factors, mechanical stresses, and compatibility are among the categories for which the relay must be reviewed.
- E. The circuit in which the relay is used**, the interlocking feature employed, the wiring harness, and the associated components should all be reviewed for assuring mutual suitability.
- F. Relays should be hard wired** whenever possible, to avoid the need for additional contact points associated with the relay plug-in socket arrangement. (Plug-in types should be considered for quick turnaround times).
- G. To permit "safe" isolation** of relay circuit in the OFF condition, and better eliminate an electrical shock hazard, an electromechanical switching device should be placed between the positive terminal of the power source and relay coil.
- H. Proper transistor control** of the relay coil requires a stable reference voltage. This can be done by connecting the plus side of the coil to the positive side of the power source, the minus side of the relay coil to the collector of an NPN transistor, the emitter of the transistor to the grounded side of the power source, and the transistor base to the control voltage. For example, see MIL-R-28776/1.
- I. Any switching device** controlling the relay coil circuit must be capable of withstanding, without damage, the sum of the maximum coil circuitry voltage and the peak value of transient voltage that results when the coil circuit is opened; for example, a switch controlling a relay coil that is supplied with a 28V DC line and subjected to a transient voltage suppressed to 42V must be capable of withstanding 28V + 42V or a 70V surge without damage.
- J. In selecting solid state electronic switching devices** to control relay coil circuits, care must be used in selecting a solid state device with a leakage current (in the "off state") that is sufficiently low to permit the relay to drop out.
- K. Control of the relay coil circuit** by other than step-function switching may invalidate published relay performance properties such as pickup and dropout voltages, pickup, dropout, and bounce times.

Cross Reference - Socket to Relay

NOTE:
TE Connectivity Does Not Manufacture Relay Sockets.

This Socket to Relay cross reference is provided for additional design assistance. Several of TE Authorized Distributors carry relay sockets for your convenience. Relay sockets come with a variety of profiles, mounting styles, and mounting hardware options, so please contact the relay socket supplier of your choice or one of our Authorized Distributors who carry relay sockets for additional information.

| Military Socket P/N | Relay Part Number | Relay Type |
|------------------------------------------------------------------------------------------------------------------------------|------------------------------------------------------------------|------------------------------|
| M12883/40-01 M12883/40-05 M12883/40-07 M12883/40-11 M12883/40-13 M12883/40-17 M12883/40-19 M12883/40-23 | M83536/15-022 M83536/16-006, 014, 031, 034 | 4 Pole, 10 Amp |
| M12883/40-02 M12883/40-08 M12883/40-14 M12883/40-20 | FCA-410-DY8 (Catalog Version) FCA-410-DY9 (Catalog Version) | 4 Pole, 10 Amp, AC |
| M12883/41-01 M12883/41-04 M12883/41-06 M12883/41-09 M12883/41-11 M12883/41-14 M12883/41-16 M12883/41-19 | M83536/9-006, 015, 024, 035 M83536/10-006, 015, 024, 034, 038 | 2 Pole, 10 Amp |
| M12883/41-02 M12883/41-07 M12883/41-12 M12883/41-17 | FCA-210-DY8 (Catalog Version) FCA-210-DY9 (Catalog Version) | 2 Pole, 10 Amp, AC |
| M12883/44-01 | M83536/5-006, 014, 022, 030 M83536/6-006, 014, 022, 032 | 4 Pole, 5 Amp |
| M12883/45-01 | M83536/1-006, 015, 024, 033 M83536/2-006, 015, 024, 035 | 2 Pole, 5 Amp |
| M12883/47-01 M12883/47-04 M12883/47-07 M12883/47-10 | FCA-610-AY3 (Catalog Version) FCA-610-AY4 (Catalog Version) | 6 Pole, 10 Amp |
| M12883/47-02 M12883/47-05 M12883/47-08 M12883/47-11 | FCA-610-DY8 (Catalog Version) | 6 Pole, 10 Amp AC |
| M12883/48-01 M12883/48-02 M12883/48-03 M12883/48-04 | M83536/32-003L M83536/33-003L | 3 Pole, 25 Amp |
| M12883/48-05 M12883/48-06 M12883/48-07 M12883/48-08 | FCA-325-AV8 (Catalog Version) FCA-325-AV9 (Catalog Version) | 3 Pole, 25 Amp AC |
| M12883/52-01 | M83536/2-028 | 2 Pole, 5 Amp Track Mount |
| M12883/52-02 | M83536/6-025 | 4 Pole, 5 Amp Track Mount |
| M12883/55-01 M12883/55-02 | M6106/19-004, 007, 012, 017, 022 | 1 Pole, 25 Amp |

Engineering Notes

A large grid of graph paper for taking engineering notes. The grid consists of 30 columns and 40 rows of small squares, providing a structured area for technical drawings or calculations.

X-ON Electronics

Largest Supplier of Electrical and Electronic Components

Click to view similar products for [Time Delay & Timing Relays](#) category:

Click to view products by [TE Connectivity](#) manufacturer:

Other Similar products are found below :

[5NO30](#) [614-11B-0A2](#) [614-11B-0A3](#) [614-11B-0A4](#) [614-11B-0A6](#) [614-11B-0A8](#) [614-11C-0A1](#) [614-11C-0A2](#) [614-11C-0A5](#) [614-11Q-0A3](#) [614-11Q-0A6](#) [614-11T-0A3](#) [614-11T-0A6](#) [614-11T-0A7](#) [614-12B-4A1](#) [614-12C-400](#) [614-12Q-400](#) [614-12T-600](#) [614-22T-4A1](#) [614-43B-400](#) [614-43C-100](#) [614-43F-200](#) [614-43Q-0A2](#) [614-43Q-100](#) [614-43Q-600](#) [614-43T-0A9](#) [614-43T-600](#) [614-43U-400](#) [614-43U-4A1](#) [614-43U-6A2](#) [615-21T-200](#) [655-11T-100](#) [655-11U-500](#) [655-12T-300](#) [655-22T-400](#) [655-22T-600](#) [CUA-41-30001](#) [CUA-41-30030](#) [CUA-41-70180](#) [CUA-41-71038](#) [CUA-42-30005](#) [CUA-42-30010](#) [CUA-42-30120](#) [CUA-42-70120](#) [CUA-99-72502](#) [CUC-41-30030](#) [CUF-42-30010](#) [CUH-41-31006](#) [7012AFX](#) [7012GD](#)