

4

3

2

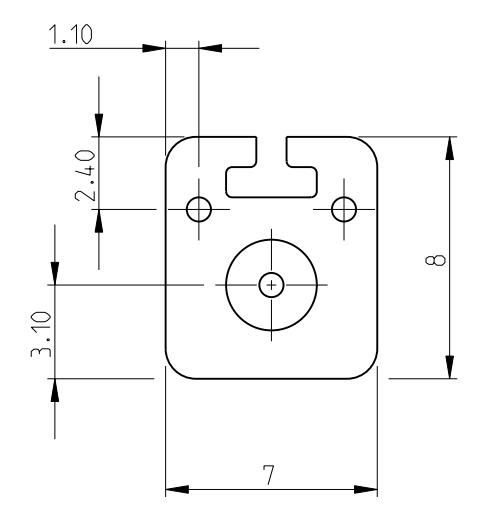
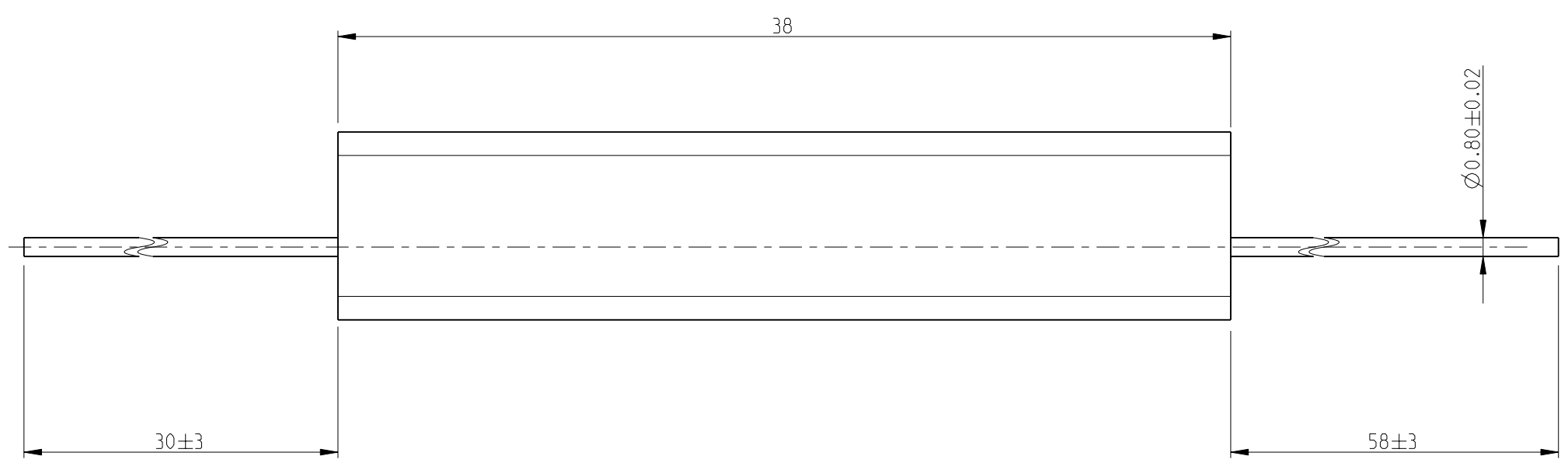
1

THIS DRAWING IS UNPUBLISHED. RELEASED FOR PUBLICATION 2008

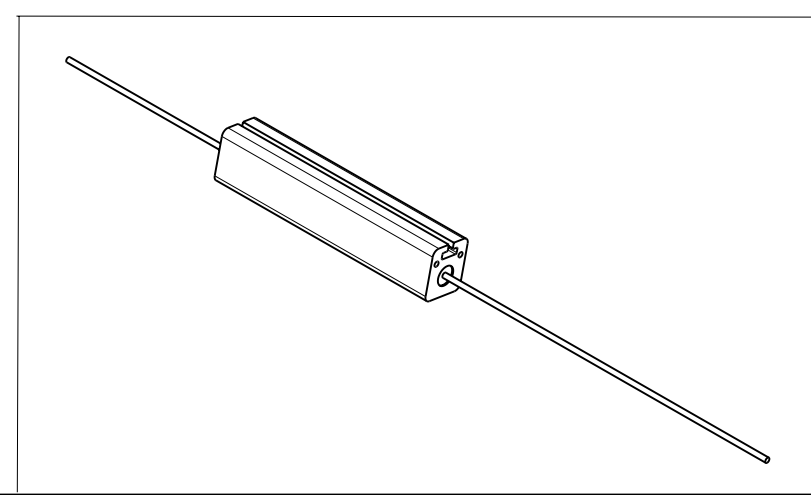
© COPYRIGHT 2008 BY TYCO ELECTRONICS CORPORATION. ALL RIGHTS RESERVED.

LOC	DIST	REVISIONS				
P	LTR	DESCRIPTION	DATE	DWN	APVD	
E	B	BA	NEW RELEASE	03AUG2010	PT	St.P

FOR FURTHER INFORMATION SEE DATA SHEET FOR SERIES TYPE SBC(SQUARE CERAMIC), HIGH POWER RESISTORS



RoHS Compliant



THIS DRAWING IS A CONTROLLED DOCUMENT FOR TYCO ELECTRONICS CORPORATION IT IS SUBJECT TO CHANGE AND THE CONTROLLING ENGINEERING ORGANIZATION SHOULD BE CONTACTED FOR THE LATEST REVISION.		DWN	03AUG2010	Tyco Electronics Corporation Dorcan, Swindon, SN3 5HH													
DIMENSIONS: mm		CHK	03AUG2010														
<table border="1"> <tr> <th colspan="2">TOLERANCES UNLESS OTHERWISE SPECIFIED:</th> </tr> <tr> <td>0 PLC</td> <td>±0.2</td> </tr> <tr> <td>1 PLC</td> <td>±0.1</td> </tr> <tr> <td>2 PLC</td> <td>±</td> </tr> <tr> <td>3 PLC</td> <td>±</td> </tr> <tr> <td>4 PLC</td> <td>±</td> </tr> <tr> <td>ANGLES</td> <td>±5°</td> </tr> </table>		TOLERANCES UNLESS OTHERWISE SPECIFIED:			0 PLC	±0.2	1 PLC	±0.1	2 PLC	±	3 PLC	±	4 PLC	±	ANGLES	±5°	APVD
TOLERANCES UNLESS OTHERWISE SPECIFIED:																	
0 PLC	±0.2																
1 PLC	±0.1																
2 PLC	±																
3 PLC	±																
4 PLC	±																
ANGLES	±5°																
MATERIAL -		PRODUCT SPEC	-	NAME	HIGH POWER RESISTOR TYPE SBC (SQUARE CERAMIC) SERIES SBCHE6												
FINISH -		APPLICATION SPEC	-	SIZE	A3												
		WEIGHT	5.0g	CAGE CODE	00779												
		CUSTOMER DRAWING		DRAWING NO	©=1623732												
				RESTRICTED TO	-												
				SCALE	4:1												
				SHEET	1 OF 1												
				REV	BA												

X-ON Electronics

Largest Supplier of Electrical and Electronic Components

Click to view similar products for [Wirewound Resistors - Through Hole category](#):

Click to view products by [TE Connectivity manufacturer](#):

Other Similar products are found below :

[75822-2K4](#) [90J56R](#) [AC03000001208JAC00](#) [EP3WS47RJ](#) [C1010KJL](#) [C1015RJL](#) [C3A10KJT](#) [27J1K0](#) [ES3W47RJ](#) [AC04000001500JAC00](#)
[AC10000002208JAB00](#) [AC10000004708JAB00](#) [SQMW5R39J](#) [SQPW5R22J](#) [SQPW5R33J](#) [1879927-3](#) [FCB2100RJ](#) [T505](#) [FSQ5WR47J](#)
[FW10A33R0JA](#) [C1010RJL](#) [C10220RJL](#) [C10R47JL](#) [C141K0JL](#) [C144R7JL](#) [ES05W100RJ](#) [SQMW1047RJ](#) [SQMW210RJ](#) [ULW5-39R0JT075](#)
[W31-R47JA1](#) [ULW5-68RJT075](#) [SQBW401K0JFASTON](#) [SPH1001JLF](#) [65888-3R3](#) [SQP500JB-400R](#) [SQBW403R3JFASTON](#) [280-PRM7-](#)
[4.7-RC](#) [CW02B9R100JE73](#) [FW70A1000JA](#) [AC05000005608JAC00](#) [SQPW547RJ](#) [SQMW10R68J](#) [C102K2JL](#) [SQPW510RJ](#) [PW103001KLF](#)
[SQPW522RJ](#) [SQPW568RJ](#) [FCB4560RJ](#) [FCB2R47J](#) [SQPW2R047J](#)