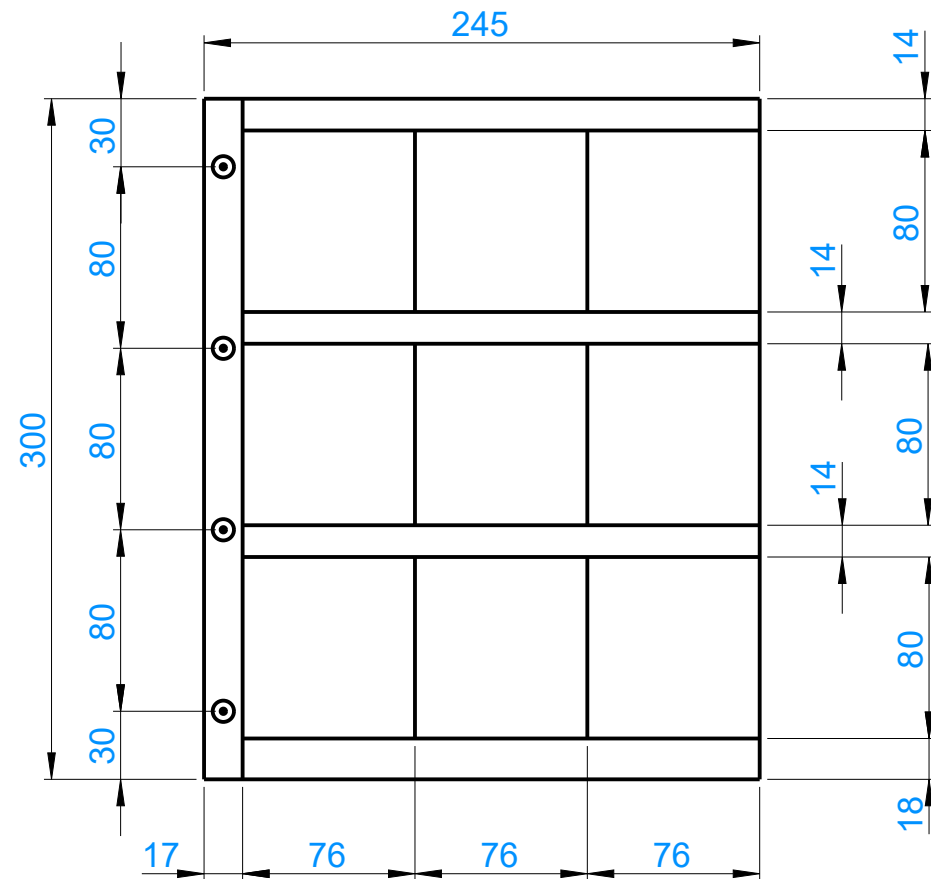


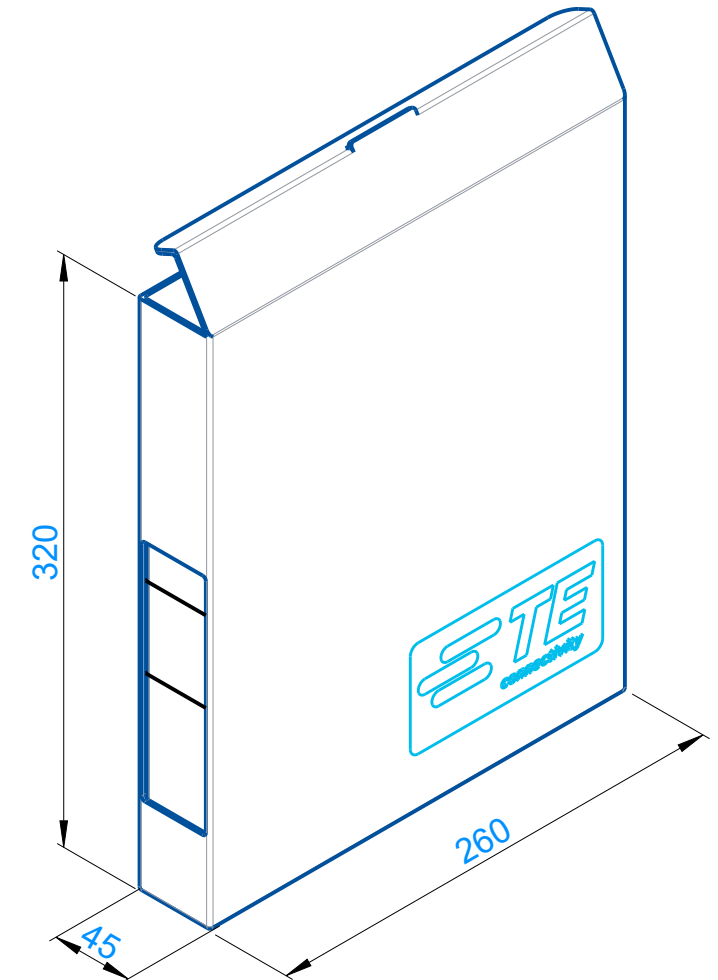
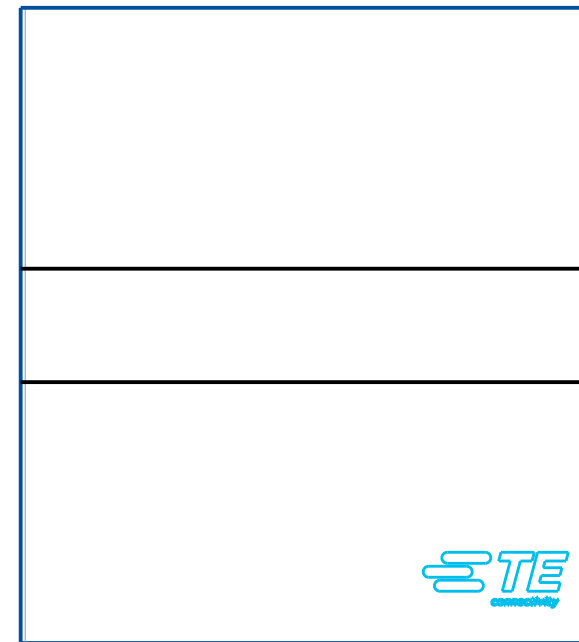
REVISIONS

P	LTR	DESCRIPTION	DATE	DWN	APVD
	BB	DRAWING UPDATED	16DEC2021	DM	AP

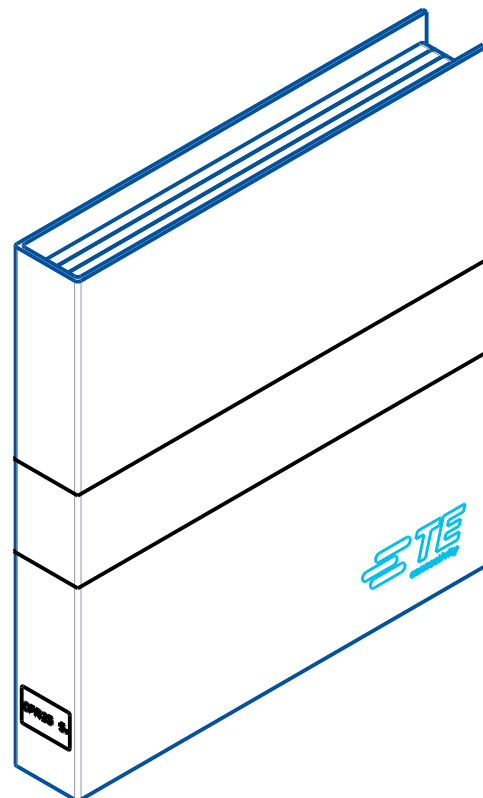
PAGE INSERT DIMENSIONS



FOLDER DIMENSIONS



ALL DIMENSIONS NOMINAL




THIS DRAWING IS A CONTROLLED DOCUMENT.		DWN	16DEC2021			TE Connectivity			
		CHK	16DEC2021			NAME RESISTOR LAB KITS			
		ALLAN P							
		APVD	16DEC2021			RESTRICTED TO			
DIMENSIONS:		TOLERANCES UNLESS OTHERWISE SPECIFIED:		PRODUCT SPEC		SIZE	CAGE CODE	DRAWING NO	
mm		0 PLC ±		-		A3	00779	C-1625873	
		1 PLC ±		-		SCALE			
		2 PLC ±		-		1:1			
		3 PLC ±		-		SHEET			
		4 PLC ±		-		1 OF 2			
		ANGLES ±		-		REV			
MATERIAL		FINISH		WEIGHT		BB			
-		-		-		CUSTOMER DRAWING			
-		-		-					

REVISIONS

P	LTR	DESCRIPTION	DATE	DWN	APVD
		SEE SHEET 1			

CFR50 LAB-KIT	RES KIT CFR50RS	1625873-9	14
CFR25 LAB-KIT	RES KIT CFR25RS	1625873-8	13
CFR16 LAB-KIT	RES KIT CFR16RS	1625873-7	12
1206 LAB-KIT	RES KIT 1206RS	1625873-6	11
0805 LAB-KIT	RES KIT 0805RS	1625873-5	10
0603 LAB-KIT	RES KIT 0603RS	1625873-3	9
0402 5% LAB-KIT	RES KIT 0402RS	1625873-1	8
3521 10R-1M0 LAB-KIT	3521-LABKIT	1-1625873-6	7
0201 LAB-KIT	RES-KIT-0201	1-1625873-5	6
0402 1% LAB-KIT	RESKIT0402RS1%	1-1625873-4	5
ROX1S LAB-KIT	RES KIT ROX1SRS	1-1625873-3	4
LR2 LAB-KIT	RES KIT LR2RS	1-1625873-2	3
LR1 LAB-KIT	RES KIT LR1RS	1-1625873-1	2
LR0204 LAB-KIT	RES KIT LR0204R	1-1625873-0	1
MATERIAL DESCRIPTION	PRODUCT NUMBER	TCPN/DRAWING	ITEM

THIS DRAWING IS A CONTROLLED DOCUMENT.		DWN DHEERAJ M 16DEC2021	 TE Connectivity		
DIMENSIONS: mm		CHK ALLAN P 16DEC2021			
TOLERANCES UNLESS OTHERWISE SPECIFIED:		APVD ALLAN P 16DEC2021	NAME RESISTOR LAB KITS		
0 PLC ± 1 PLC ± 2 PLC ± 3 PLC ± 4 PLC ± ANGLES ±		PRODUCT SPEC -	RESTRICTED TO		
MATERIAL -		APPLICATION SPEC -	SIZE A3	CAGE CODE 00779	DRAWING NO C-1625873
FINISH -		WEIGHT -	SCALE 1:1		
		CUSTOMER DRAWING		SHEET 2 OF 2	REV BB

## X-ON Electronics

Largest Supplier of Electrical and Electronic Components

*Click to view similar products for [Resistor Kits](#) category:*

*Click to view products by [TE Connectivity](#) manufacturer:*

Other Similar products are found below :

[RSM4F](#) [CHKIT-0402](#) [RESKIT0402RS1%](#) [RSM3L](#) [RSM4L](#) [RSM5L](#) [RSM1H](#) [RN/0603-MID-LAB-KIT](#) [RSM5F](#) [LMA964MMA02040DB00](#)  
[LMB964MMB02070DB00](#) [1-1625873-3](#) [DK0040](#) [RK73H1HTK001KIT](#) [SR732ATK001KIT](#) [SR731ETK001KIT](#) [HV73TK001KIT](#)  
[SG73TK001KIT](#) [RK73H1JTK001KIT](#) [SR733ATK001KIT](#) [CAB-TBHHS](#) [751-00011](#) [2176188-2](#) [2176188-3](#) [RR1220PD-KIT-FILE](#)  
[RR0816PD-KIT-FILE](#) [1625873-6](#) [1614758-3](#) [1614758-4](#) [1614758-6](#) [RES KIT 0402RS](#) [RES KIT 0805RS](#) [RES KIT CFR25RS](#)  
[RESKITLR2RS](#) [1-1625873-2](#) [1-1625873-0](#) [RL732512LABKIT](#) [RL730603LABKIT](#) [RL730402LABKIT](#) [LAE1BCHIP0603KFE96](#)  
[LMC121CMB02070JG00](#) [LML121MELF0CBFGJ00](#) [LTW964TPW06030DB00](#) [VEFIHIPWKIT](#) [VEFIIGBRKIT](#) [VEFIRFHFKIT](#)  
[LCS964MCS04020DB00](#) [LCS964MCS0402MDB00](#) [RC0201-R-SKE24L](#) [RC0603JR-SKE24L](#)