

4

3

2

1

THIS DRAWING IS UNPUBLISHED.

RELEASED FOR PUBLICATION

© COPYRIGHT BY TYCO ELECTRONICS CORPORATION. ALL RIGHTS RESERVED.

LOC
U

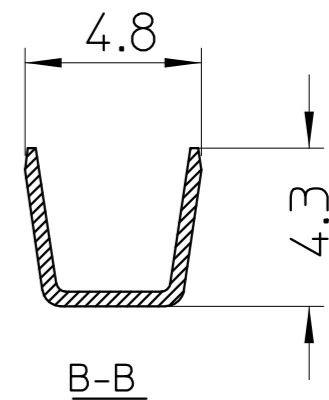
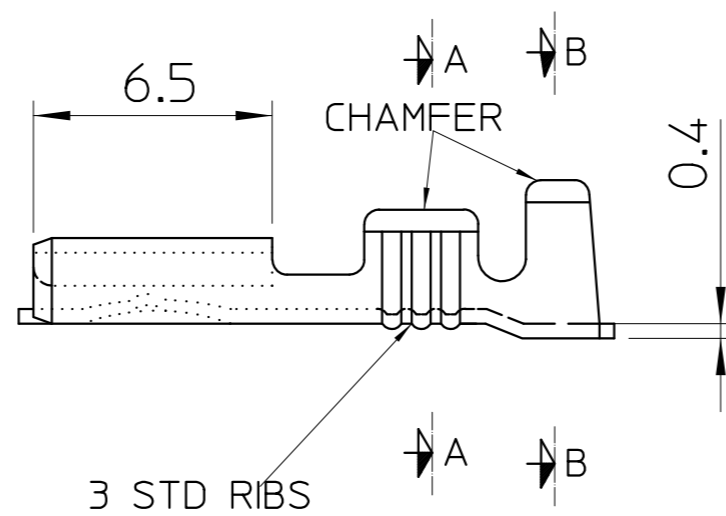
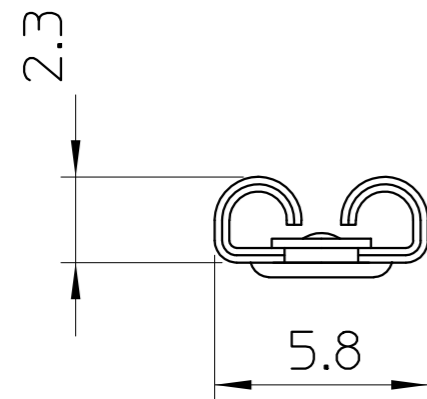
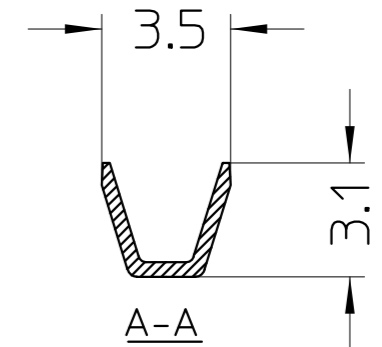
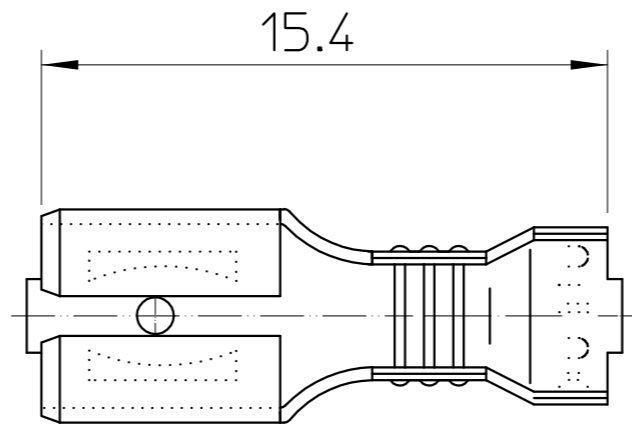
DIST
-

REVISIONS

P	LTR	DESCRIPTION	DATE	DWN	APVD
-	-		-	-	-

NOTES:

- 1. WIRE RANGE
CONDUCTOR: 0.4mm² - 1.0mm²
INSULATION DIA: 3.2mm MAX.

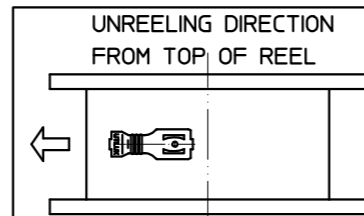


THIS INFORMATION IS CONFIDENTIAL AND PROPRIETARY TO TYCO ELECTRONICS CORPORATION AND ITS WORLDWIDE SUBSIDIARIES AND AFFILIATES. IT MAY NOT BE DISCLOSED TO ANYONE OTHER THAN TYCO ELECTRONICS PERSONNEL WITHOUT WRITTEN AUTHORIZATION FROM TYCO ELECTRONICS CORPORATION, HARRISBURG, PENNSYLVANIA, USA.

THIS DRAWING IS A CONTROLLED DOCUMENT.

ALL DIMENSIONS IN mm:

DIMENSION (mm)	TOLERANCE (+mm)
LESS THAN 10	0.4
OVER 10 TO 30	0.5
OVER 30 TO 80	0.7
OVER 80 TO 250	1.0
ANGLES	±2°



MATERIAL

FINISH

BRASS PRE-TIN	RECEPTACLE H2590ET	1-1627099-3
NICKEL SILVER	RECEPTACLE H2590B	1-1627099-2
BRASS	RECEPTACLE H2590	1-1627099-0
MATERIAL No.	DESCRIPTION	PART No.
tyco Tyco Electronics Corporation Electronics AUSTRALIA		
NAME:		RECEPTACLE, QC 4.8x0.5
SIZE	CAGE CODE	DRAWING NO
A3		©= 1627099
CUSTOMER DRAWING		RESTRICTED TO
SCALE	SHEET	REV
5:1	1 OF 1	0

DWN: W.Riede 21.10.04
 CHK: H. Tthai 21.10.04
 APVD: W.Riede 21.10.04
 PRODUCT SPEC: -
 APPLICATION SPEC: -
 WEIGHT: -

X-ON Electronics

Largest Supplier of Electrical and Electronic Components

Click to view similar products for [Terminals](#) category:

Click to view products by [TE Connectivity](#) manufacturer:

Other Similar products are found below :

[00-054007-01074-6](#) [00-054007-70206-1](#) [00-054007-70210-8](#) [00-054007-70217-7](#) [00-054007-70226-9](#) [00-054007-70228-3](#) [00-054007-70248-1](#) [00-054007-70256-6](#) [00-054007-70301-3](#) [00-054007-70316-7](#) [0-0320562-0](#) [00-054007-49560-4](#) [00-054007-70209-2](#) [00-054007-70225-2](#) [00-054007-70227-6](#) [00-054007-70231-3](#) [00-054007-70241-2](#) [00-054007-70242-9](#) [00-054007-70244-3](#) [00-054007-70246-7](#) [00-054007-70263-4](#) [00-054007-70288-7](#) [00-054007-70290-0](#) [00-054007-70300-6](#) [00-054007-70304-4](#) [01-2065-1-0216](#) [01-2900-1-04412](#) [00581P0075](#) [600TS-10](#) [60205-1](#) [604200-1](#) [605601-1](#) [60598-1-CUT-TAPE](#) [61314-6-C](#) [61810-3](#) [61-S](#) [61-SN](#) [626-0194](#) [62-NBM-A](#) [62-SN](#) [62-SP](#) [63-S](#) [640179-1](#) [M55155/059I03](#) [M55155/079C01](#) [M55155/099H02](#) [M55155/109H01](#) [M55155/109H02](#) [M55155/12XH05](#) [M55155/16XH02](#)