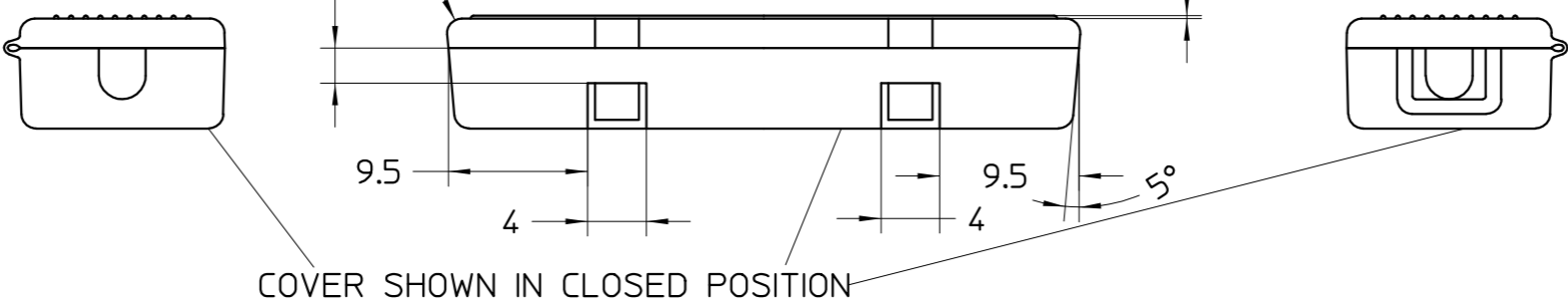
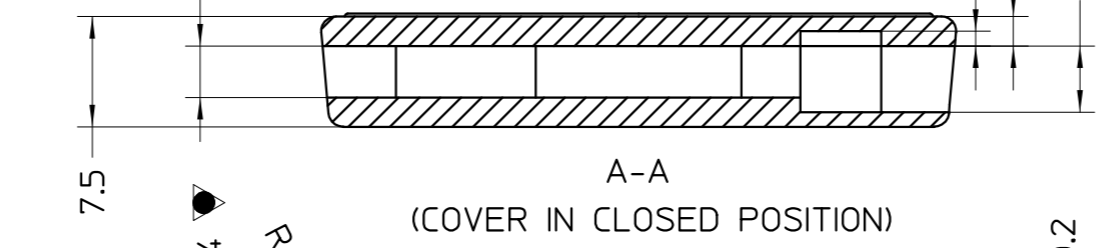
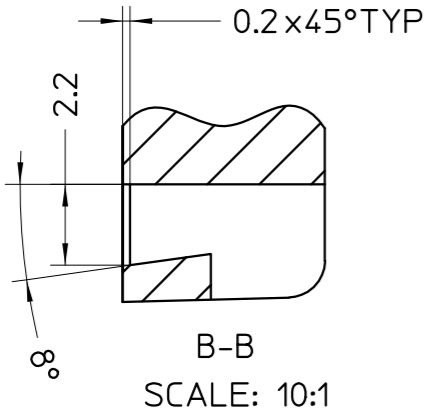
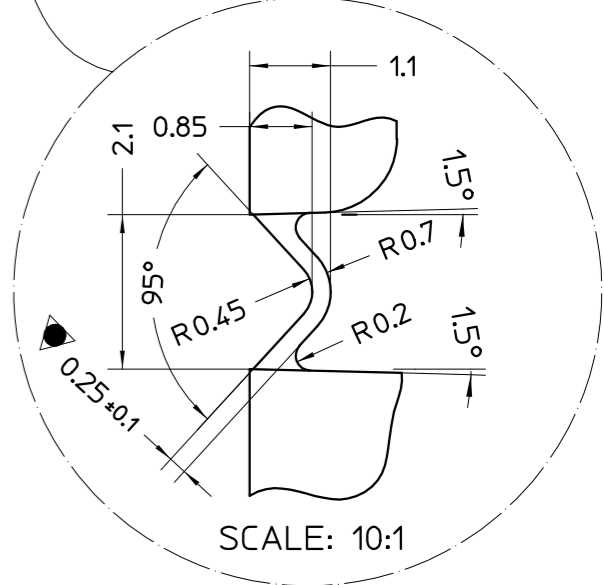
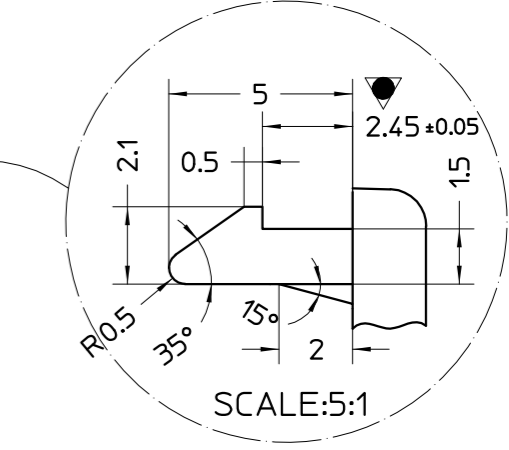
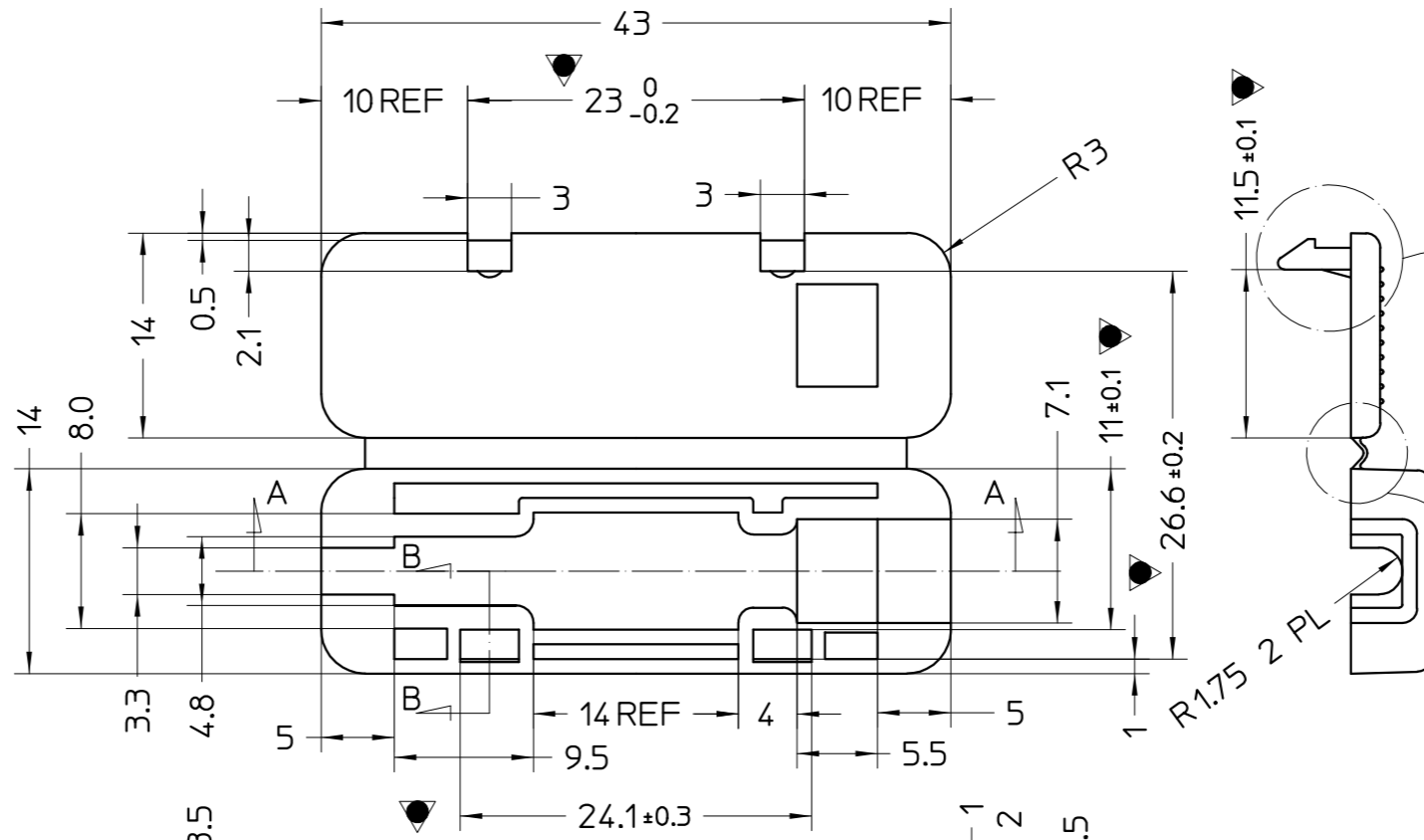
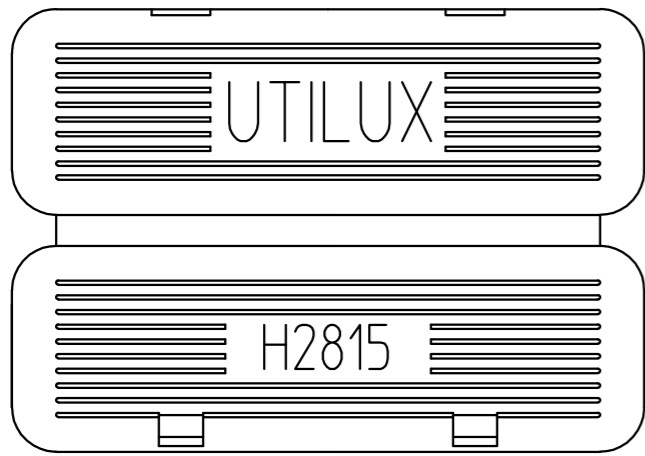


USED ON -



NOTES:
 1. CHARACTERISTICS REQUIRING PROCESS CONTROL MARKED THUS:

- ▽ CRITICAL
- SIGNIFICANT LEVEL I
- ▽ SIGNIFICANT LEVEL II

2. POST-FIT TYPE INSULATOR FOR USE WITH QC 6.3 STRAIGHT RECEPTACLE MATED WITH AN IN-LINE TYPE QC 6.3 TAB.
 3. MOULDINGS TO BE MOISTURE CONDITIONED BEFORE PACKING (2.5% WATER BY WEIGHT)

| | | | | |
|-----|---------------------------------------|----------|-----|------|
| 0 | REDRAWN - WAS UTX DRG No. 01.02815.01 | 28.02.08 | WR | - |
| LTR | REVISION RECORD | DATE | DWN | APVD |

| | | | | | |
|--|--|--------------------|------------------------------|--------------------|---------------------------------------|
| NYLON 6 NATURAL | | 1-1659901-0 | INSULATOR, BOOK-TYPE (H2815) | | 1-1627127-0 |
| MATERIAL DESC. | | MATERIAL No. | DESCRIPTION (UTX P/No.) | | PART No. |
| THIS DRAWING IS A CONTROLLED DOCUMENT. | | | DWN: W,RIEDE | 18 FEB 08 | Kingsgrove AUSTRALIA |
| ALL DIMENSIONS IN mm: | | | CHK: H,THAI | 18 FEB 08 | |
| TOLERANCES UNLESS OTHERWISE SPECIFIED: | | APVD: W,RIEDE | | 18 FEB 08 | NAME: INSULATOR, BOOK-TYPE, QC 6.3 |
| DIMENSION (mm) TOLERANCE(±mm) | | PRODUCT SPEC: | | SIZE | |
| LESS THAN 10 0.15 | | APPLICATION SPEC: | | CAGE CODE | |
| OVER 10 TO 30 0.25 | | WEIGHT: - | | DRAWING NO | RESTRICTED TO |
| OVER 30 TO 80 0.30 | | MATERIAL REF BLOCK | | 1627127 | - |
| OVER 80 TO 250 0.50 | | FINISH REF BLOCK | | SCALE 2:1 | SHEET 1 OF 1 |
| ANGLES ±2° | | MATERIAL REF BLOCK | | PRODUCTION DRAWING | REV 0 |

THIS INFORMATION IS CONFIDENTIAL AND PROPRIETARY TO TYCO ELECTRONICS AND ITS WORLDWIDE SUBSIDIARIES AND AFFILIATES. IT MAY NOT BE DISCLOSED TO ANYONE OTHER THAN TYCO ELECTRONICS PERSONNEL, WITHOUT AUTHORIZATION.

X-ON Electronics

Largest Supplier of Electrical and Electronic Components

Click to view similar products for [Terminals](#) category:

Click to view products by [TE Connectivity](#) manufacturer:

Other Similar products are found below :

[00-054007-01074-6](#) [00-054007-70206-1](#) [00-054007-70210-8](#) [00-054007-70217-7](#) [00-054007-70226-9](#) [00-054007-70228-3](#) [00-054007-70248-1](#) [00-054007-70256-6](#) [00-054007-70301-3](#) [00-054007-70316-7](#) [00-054007-49560-4](#) [00-054007-70209-2](#) [00-054007-70225-2](#) [00-054007-70227-6](#) [00-054007-70231-3](#) [00-054007-70241-2](#) [00-054007-70242-9](#) [00-054007-70244-3](#) [00-054007-70246-7](#) [00-054007-70263-4](#) [00-054007-70288-7](#) [00-054007-70290-0](#) [00-054007-70300-6](#) [00-054007-70304-4](#) [01-2065-1-0216](#) [01-2900-1-04412](#) [00581P0075](#) [600TS-10](#) [60205-1](#) [604200-1](#) [605601-1](#) [60598-1-CUT-TAPE](#) [61314-6-C](#) [61810-3](#) [61-S](#) [61-SN](#) [626-0194](#) [62-NBM-A](#) [62-SN](#) [62-SP](#) [63-S](#) [640179-1](#) [M55155/059I03](#) [M55155/079C01](#) [M55155/099H02](#) [M55155/109H01](#) [M55155/109H02](#) [M55155/12XH05](#) [M55155/16XH02](#) [M55155/29-5S](#)