

4

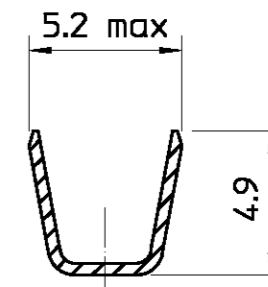
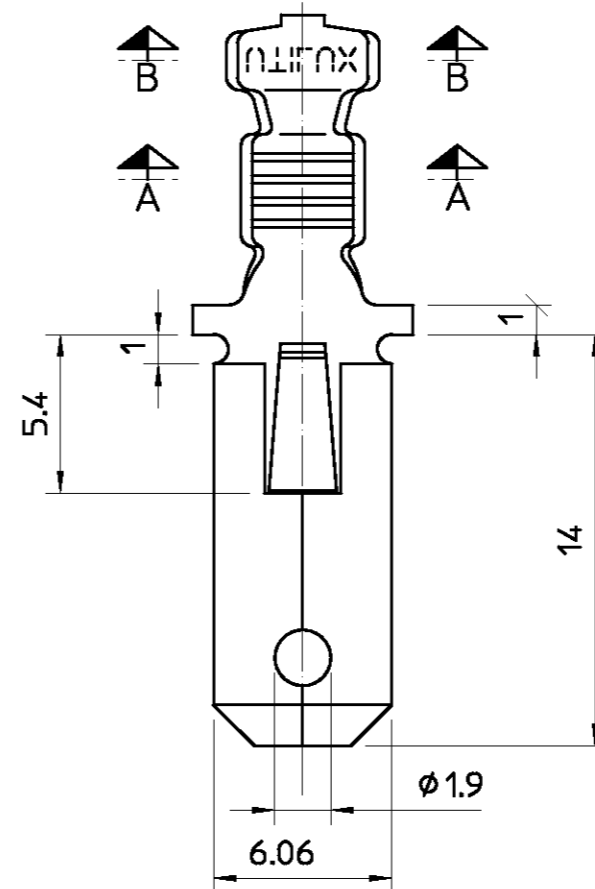
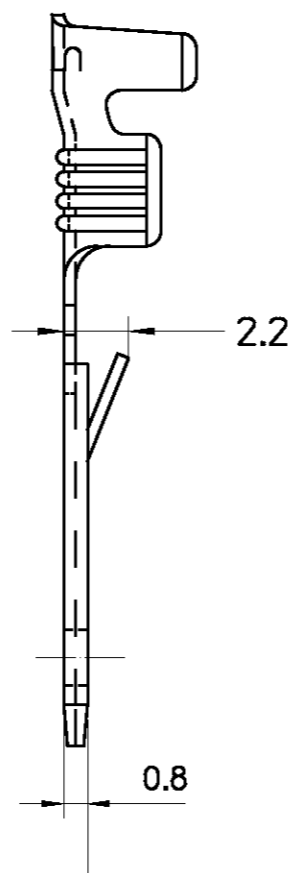
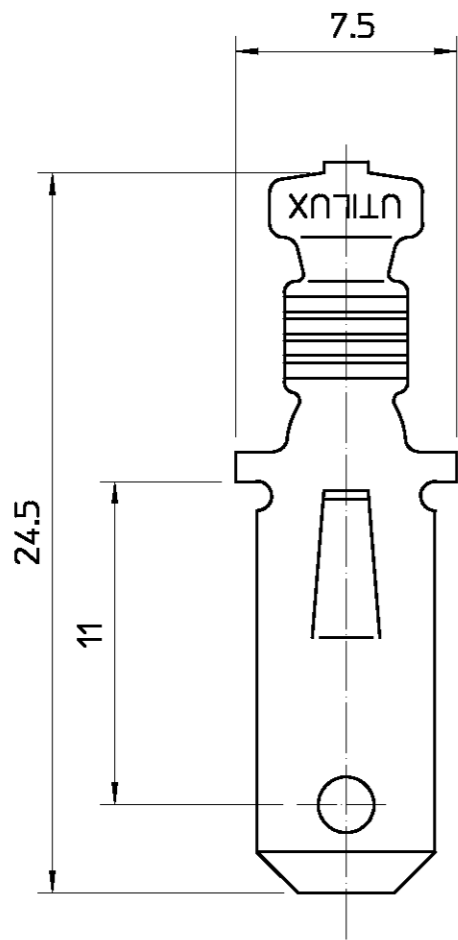
3

2

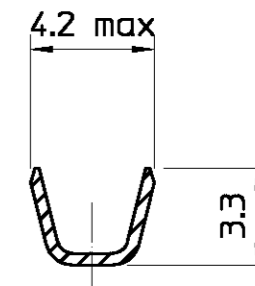
1

THIS DRAWING IS UNPUBLISHED. RELEASED FOR PUBLICATION  
COPYRIGHT BY TYCO ELECTRONICS CORPORATION. ALL RIGHTS RESERVED.

LOC	DIST	REVISIONS					
		P	LTR	DESCRIPTION	DATE	DWN	APVD
U	-						
		O1		REV PER ECO-10-000030	04JAN10	KK	AEG



B-B



A-A

NOTES:

1. WIRE RANGE

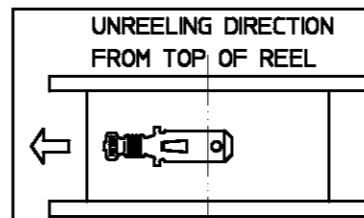
CONDUCTOR: 0.7mm<sup>2</sup> - 2.1mm<sup>2</sup>

INSULATION DIA: 2.3mm - 3.1mm

2 OBSOLETE PARTS: OBSOLETE CIS STREAMLINING PER D.RENAUD/D.SINISI

	LOOSE PIECE	BRASS	TAB, H2832/10000	1-1627133-6	
	REEL FORM	BRASS PRE-TIN	TAB, H2832ET/R7000	1-1627133-3	
	REEL FORM	BRASS	TAB, H2832/R7000	1-1627133-2	
2	OBSOLETE	LOOSE PIECE	BRASS	TAB, H2832/1000	<del>1-1627133-0</del>
	REMARKS	MATERIAL	DESCRIPTION	PART No.	

THIS INFORMATION IS CONFIDENTIAL AND PROPRIETARY TO TYCO ELECTRONICS CORPORATION AND ITS WORKING SUBSIDIARIES AND AFFILIATES. IT MAY NOT BE DISCLOSED TO ANYONE OTHER THAN TYCO ELECTRONICS PERSONNEL WITHOUT WRITTEN AUTHORIZATION FROM TYCO ELECTRONICS CORPORATION, PARSIPPANY, PENNSYLVANIA, USA.



THIS DRAWING IS A CONTROLLED DOCUMENT.

ALL DIMENSIONS IN mm:	TOLERANCES UNLESS OTHERWISE SPECIFIED: DIMENSION (mm) TOLERANCE (±mm)	DWN: W.RIEDE 6.12.04	Tyco Electronics Corporation AUSTRALIA	
	LESS THAN 10 0.4	CHK: H.THAI 6.12.04	NAME: <b>TAB, QC 6.3</b>	
	OVER 10 TO 30 0.5	APVD: W.RIEDE 6.12.04		
	OVER 30 TO 80 0.7	PRODUCT SPEC:	SIZE: A3 CAGE CODE: DRAWING NO: <b>1627133</b> RESTRICTED TO: -	
	OVER 80 TO 250 1.0	APPLICATION SPEC:		
	ANGLES ±2°	WEIGHT: -	CUSTOMER DRAWING	
MATERIAL: -	FINISH: -	SCALE: 4:1 SHEET 1 OF 1 REV: 01		

## X-ON Electronics

Largest Supplier of Electrical and Electronic Components

*Click to view similar products for [Terminals](#) category:*

*Click to view products by [TE Connectivity](#) manufacturer:*

Other Similar products are found below :

[HT-13-10](#) [71M-250-32-NB](#) [01-2065-1-0216](#) [00581P0075](#) [M10-10RX](#) [M10BCK](#) [60205-1](#) [604200-1](#) [60598-1-CUT-TAPE](#) [60617-1-C](#) [60873-1](#) [M14-516R/SK](#) [M14-6RSX](#) [M18-10FLX](#) [M18-8FBX](#) [M18-8R/LX](#) [M18BCK](#) [61314-6-C](#) [61-S](#) [61-SN-A](#) [62-NBM-A](#) [63-S](#) [640179-1](#) [640917-2-CUT-TAPE](#) [6501550002](#) [66107-2-C](#) [66107-4-C](#) [696683-1](#) [696834-1](#) [696861-1](#) [696931-1](#) [696999-1](#) [M8-516RK](#) [M86700006](#) [MA250DMFMX-A](#) [701-2007](#) [701-2307](#) [701-7761-03](#) [70F-110-32-PB](#) [718-N-A](#) [71M-187-20-NBL](#) [71M-250-32-NBL](#) [72F-187-20-NBL](#) [72M-250-32-NBL](#) [7310](#) [73F-250-32](#) [73F-250-32-NBL](#) [73F-250-32-NL](#) [F14-10C](#) [F-1M](#)