

4

3

2

1

THIS DRAWING IS UNPUBLISHED.

RELEASED FOR PUBLICATION

© COPYRIGHT BY TYCO ELECTRONICS CORPORATION. ALL RIGHTS RESERVED.

ALL RIGHTS RESERVED.

LOC

DIST

REVISIONS

P

LTR

DESCRIPTION

DATE

DWN

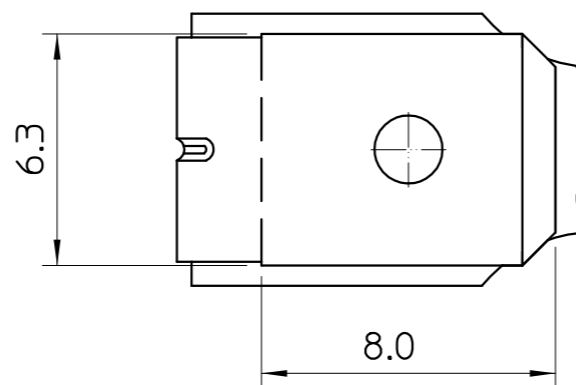
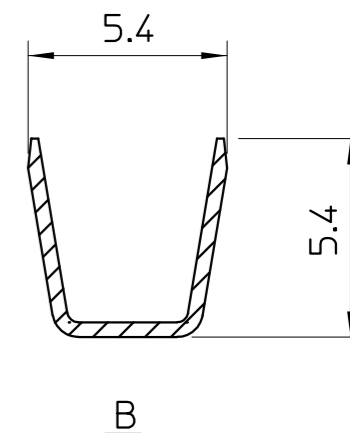
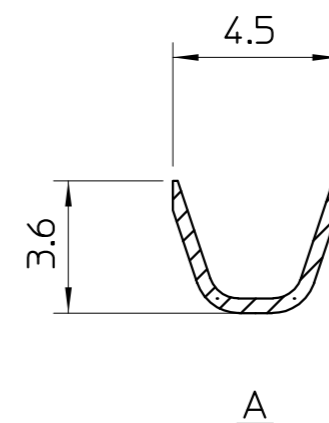
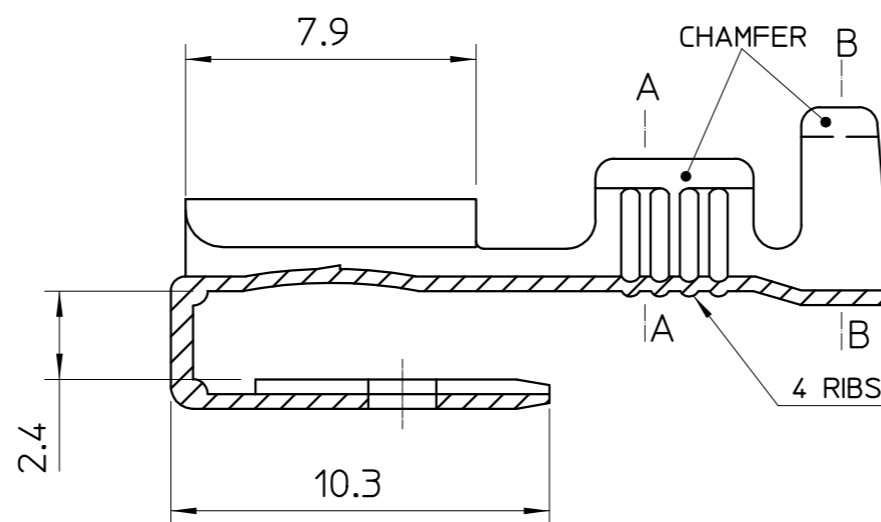
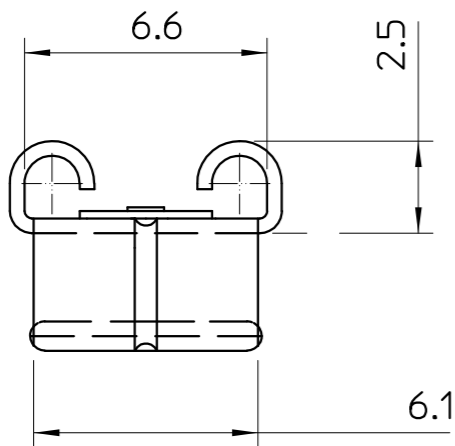
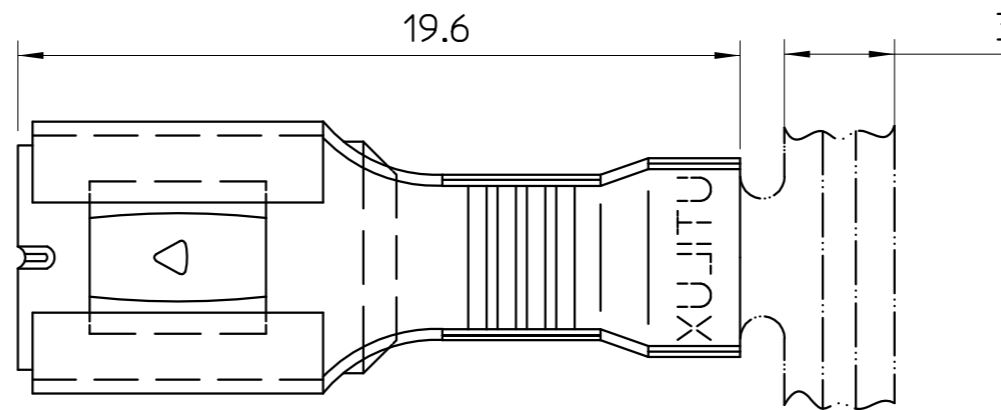
APVD

D

C

B

A



NOTES:

- 1. WIRE SIZE RANGE:
CONDUCTOR: 1.0mm² - 1.5mm²
INSULATION DIA.: 2.8mm - 3.4mm
- 2. FOR CRIMPING DETAILS REFER
TO UTILUX CRIMP CHART NO. H2833

BRASS	RECEPTACLE H2833	1-1627134-4
BRASS PRE-TIN	RECEPTACLE H2833ET	1-1627134-3
NICKEL SILVER	RECEPTACLE H2833B	1-1627134-2
MATERIAL	DESCRIPTION	PART No.

THIS DRAWING IS A CONTROLLED DOCUMENT.

ALL DIMENSIONS IN mm:

TOLERANCES UNLESS OTHERWISE SPECIFIED:	
DIMENSION (mm)	TOLERANCE(+/-mm)
LESS THAN 10	0.4
OVER 10 TO 30	0.5
OVER 30 TO 80	0.7
OVER 80 TO 250	1.0
ANGLES	+2°

MATERIAL

FINISH

DWN: W.RIEDE 2.11.04

CHK: H.THAI 2.11.04

APVD: W.RIEDE 2.11.04

PRODUCT SPEC:

-

APPLICATION SPEC:

-

WEIGHT:

-

tyco Tyco Electronics Corporation
Electronics AUSTRALIA

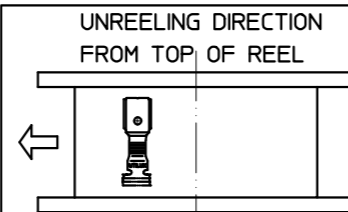
NAME:
RECEPTACLE QC6.3

SIZE	CAGE CODE	DRAWING NO	RESTRICTED TO
A3		©=1627134	-

CUSTOMER DRAWING

SCALE 5:1 SHEET 1 OF 1 REV 0

THIS INFORMATION IS CONFIDENTIAL AND PROPRIETARY TO TYCO ELECTRONICS CORPORATION AND ITS WORLDWIDE SUBSIDIARIES AND AFFILIATES. IT MAY NOT BE DISCLOSED TO ANYONE OTHER THAN TYCO ELECTRONICS PERSONNEL WITHOUT WRITTEN PERMISSION FROM TYCO ELECTRONICS CORPORATION, HARRISBURG, PENNSYLVANIA, USA.



X-ON Electronics

Largest Supplier of Electrical and Electronic Components

Click to view similar products for [Terminals](#) category:

Click to view products by [TE Connectivity](#) manufacturer:

Other Similar products are found below :

[00-054007-01074-6](#) [00-054007-70206-1](#) [00-054007-70210-8](#) [00-054007-70217-7](#) [00-054007-70226-9](#) [00-054007-70228-3](#) [00-054007-70248-1](#) [00-054007-70256-6](#) [00-054007-70301-3](#) [00-054007-70316-7](#) [0-0320562-0](#) [00-054007-49560-4](#) [00-054007-70209-2](#) [00-054007-70225-2](#) [00-054007-70227-6](#) [00-054007-70231-3](#) [00-054007-70241-2](#) [00-054007-70242-9](#) [00-054007-70244-3](#) [00-054007-70246-7](#) [00-054007-70263-4](#) [00-054007-70288-7](#) [00-054007-70290-0](#) [00-054007-70300-6](#) [00-054007-70304-4](#) [01-2065-1-0216](#) [01-2900-1-04412](#) [00581P0075](#) [600TS-10](#) [60205-1](#) [604200-1](#) [605601-1](#) [60598-1-CUT-TAPE](#) [61314-6-C](#) [61810-3](#) [61-S](#) [61-SN](#) [626-0194](#) [62-NBM-A](#) [62-SN](#) [62-SP](#) [63-S](#) [640179-1](#) [M55155/059I03](#) [M55155/079C01](#) [M55155/099H02](#) [M55155/109H01](#) [M55155/109H02](#) [M55155/12XH05](#) [M55155/16XH02](#)