

4

3

2

1

THIS DRAWING IS UNPUBLISHED.

RELEASED FOR PUBLICATION

© COPYRIGHT - BY TYCO ELECTRONICS CORPORATION. ALL RIGHTS RESERVED.

LOC

DIST

REVISIONS

U

-

P

LTR

DESCRIPTION

DATE

DWN

APVD

-

-

-

-

-

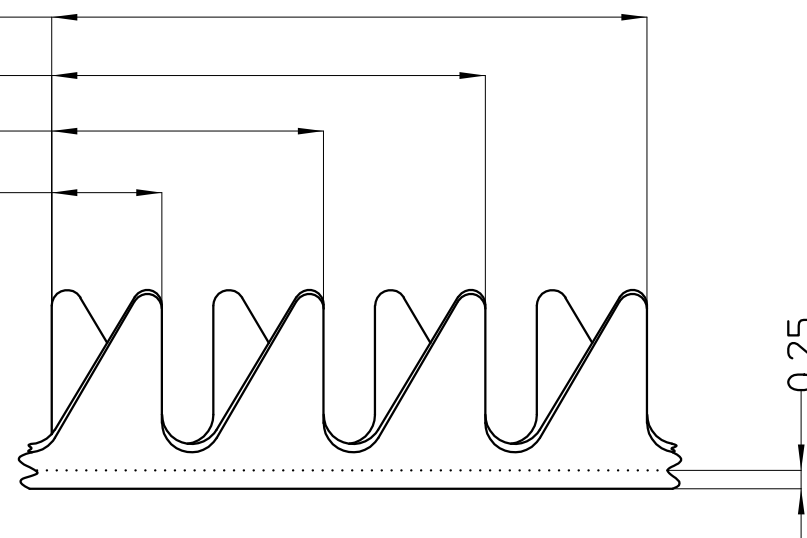
CUT TO LENGTH AS REQUIRED

8.1mm -4 WAY

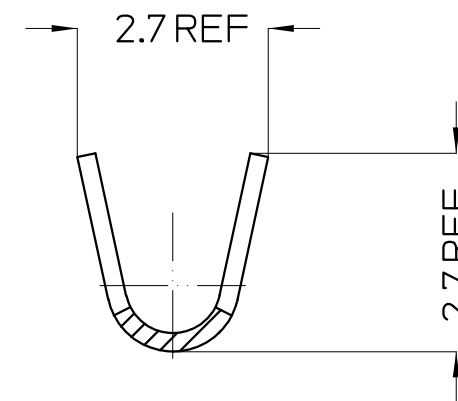
5.9mm -3 WAY

3.7mm -2 WAY

1.5mm -1 WAY



CONTINUOUS STRIP

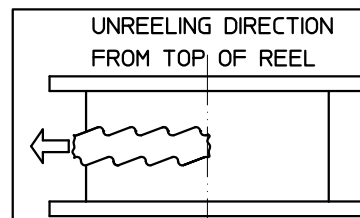


NOTES

1. WIRE RANGE

CONDUCTOR: 0.5mm² - 1.0mm²

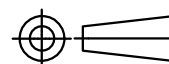
THIS INFORMATION IS CONFIDENTIAL AND PROPRIETARY TO TYCO ELECTRONICS CORPORATION AND ITS WORLDWIDE SUBSIDIARIES AND AFFILIATES. IT MAY NOT BE DISCLOSED TO ANYONE OTHER THAN TYCO ELECTRONICS PERSONNEL WITHOUT WRITTEN AUTHORIZATION FROM TYCO ELECTRONICS CORPORATION, HARRISBURG, PENNSYLVANIA, USA.



THIS DRAWING IS A CONTROLLED DOCUMENT.

ALL DIMENSIONS IN mm:

TOLERANCES UNLESS OTHERWISE SPECIFIED:	
DIMENSION (mm)	TOLERANCE (+mm)
LESS THAN 10	0.4
OVER 10 TO 30	0.5
OVER 30 TO 80	0.7
OVER 80 TO 250	1.0
ANGLES	±2°



MATERIAL

FINISH

-

-

BRASS 70/30

TERMINAL, SHOE LACE H29100

1-1627139-0

MATERIAL DESC.

DESCRIPTION

PART No.

DWN: W.RIEDE 28.4.05

CHK: H.THAU 28.4.05

APVD: W.RIEDE 28.4.05

PRODUCT SPEC:

APPLICATION SPEC:

WEIGHT:

-

tyco Tyco Electronics Corporation
Electronics AUSTRALIA

NAME:

TERMINAL, SHOE LACE

SIZE

CAGE CODE

DRAWING NO

RESTRICTED TO

A3

-

© 1627139

-

CUSTOMER DRAWING

SCALE 10:1

SHEET 1 OF 1

REV 0

X-ON Electronics

Largest Supplier of Electrical and Electronic Components

Click to view similar products for [Terminals](#) category:

Click to view products by [TE Connectivity](#) manufacturer:

Other Similar products are found below :

[00-054007-01074-6](#) [00-054007-70206-1](#) [00-054007-70210-8](#) [00-054007-70217-7](#) [00-054007-70226-9](#) [00-054007-70228-3](#) [00-054007-70248-1](#) [00-054007-70256-6](#) [00-054007-70301-3](#) [00-054007-70316-7](#) [00-054007-49560-4](#) [00-054007-70209-2](#) [00-054007-70225-2](#) [00-054007-70227-6](#) [00-054007-70231-3](#) [00-054007-70241-2](#) [00-054007-70242-9](#) [00-054007-70244-3](#) [00-054007-70246-7](#) [00-054007-70263-4](#) [00-054007-70288-7](#) [00-054007-70290-0](#) [00-054007-70300-6](#) [00-054007-70304-4](#) [01-2065-1-0216](#) [01-2900-1-04412](#) [00581P0075](#) [600TS-10](#) [60205-1](#) [604200-1](#) [605601-1](#) [60598-1-CUT-TAPE](#) [61314-6-C](#) [61810-3](#) [61-S](#) [61-SN](#) [626-0194](#) [62-NBM-A](#) [62-SN](#) [62-SP](#) [63-S](#) [640179-1](#) [M55155/059I03](#) [M55155/079C01](#) [M55155/099H02](#) [M55155/109H01](#) [M55155/109H02](#) [M55155/12XH05](#) [M55155/16XH02](#) [M55155/29-5S](#)