

4

3

2

1

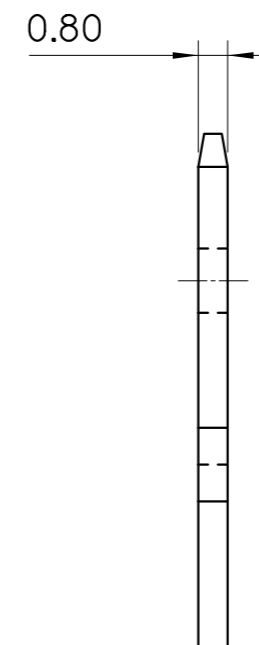
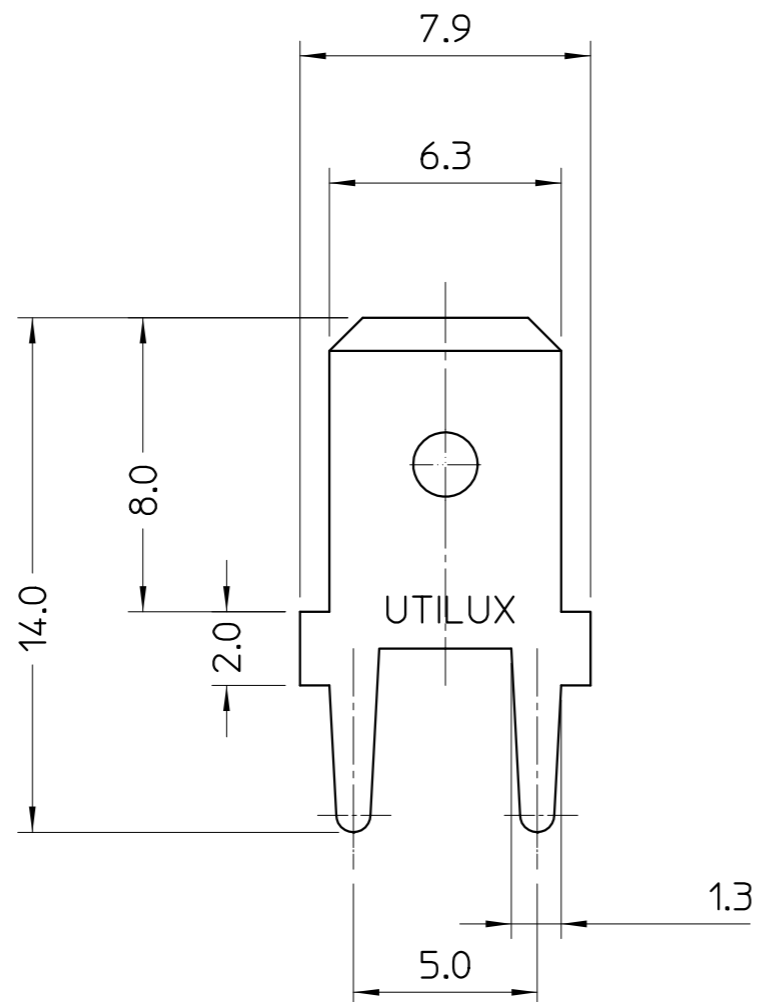
THIS DRAWING IS UNPUBLISHED.

RELEASED FOR PUBLICATION

REVISIONS

© COPYRIGHT - BY TYCO ELECTRONICS CORPORATION. ALL RIGHTS RESERVED.

LTR	DESCRIPTION	DATE	DWN	APVD
0	REDRAWN WAS UTX DRG NO. 01.025706.02	18.2.08	WR	-
A	ECR-08-031322 PLATING SPEC UPDATED	10.12.08	MZ	



THIS INFORMATION IS CONFIDENTIAL AND PROPRIETARY TO TYCO ELECTRONICS AND ITS WORLDWIDE SUBSIDIARIES AND AFFILIATES. IT MAY NOT BE DISCLOSED TO ANYONE OTHER THAN TYCO ELECTRONICS PERSONNEL, WITHOUT AUTHORIZATION.

70/30 BRASS	POST PLATED BRIGHT TIN OVER NICKEL	TAB, PCB QC 6.3 (H25706)	1-1627334-0
MATERIAL DESC.	FINISH	DESCRIPTION (UTX P/N)	PART No.
THIS DRAWING IS A CONTROLLED DOCUMENT.		DWN: W,RIEDE 18 FEB 08	Kingsgrove AUSTRALIA
ALL DIMENSIONS IN mm:		CHK: H,THAI 18 FEB 08	
TOLERANCES UNLESS OTHERWISE SPECIFIED: DIMENSION (mm) TOLERANCE(+/-mm) LESS THAN 10 0.4 OVER 10 TO 30 0.5 OVER 30 TO 80 0.7 OVER 80 TO 250 1.0 ANGLES ±2°		APVD: W,RIEDE 18 FEB 08	NAME: TAB, PCB QC 6.3
		PRODUCT SPEC:	
MATERIAL REF BLOCK		APPLICATION SPEC:	
FINISH REF BLOCK		WEIGHT: -	RESTRICTED TO
		SIZE A3	CAGE CODE
		DRAWING NO. ©=1627334	
		CUSTOMER DRAWING	
		SCALE 5:1	SHEET 1 OF 1
			REV A

X-ON Electronics

Largest Supplier of Electrical and Electronic Components

Click to view similar products for [Headers & Wire Housings](#) category:

Click to view products by [TE Connectivity](#) manufacturer:

Other Similar products are found below :

[95000-104TRLF](#) [10135584-644402LF](#) [DF62W-EP2022PCA](#) [95000-106TRLF](#) [DF62W-2022SCA](#) [DF62W-EP2022PC](#) [2203348](#) [DF62W-2022SC](#) [1084018](#) [1029039](#) [1084017](#) [802-10-012-10-002000](#) [1112640](#) [1112639](#) [891-007-9SS-BST1T](#) [000-34000](#) [0008550134](#) [0009482033](#) [0009507031](#) [57102-F02-18ULF](#) [57102-S06-03LF](#) [57202-S52-04LF](#) [PCN6-15S-2.5E](#) [0039019024](#) [58102-G61-06LF](#) [582553-1](#) [0009485154](#) [0009508121](#) [0022285053](#) [0050291907](#) [018731A](#) [LY20-4P-DT1-P1E-BR](#) [02.125.8002.8](#) [60101931](#) [60598-1 \(Cut Strip\)](#) [M1625-3R/100](#) [61062-3](#) [61082-181009](#) [CSU011177004](#) [636-1427](#) [638009-1](#) [641938-9](#) [641991-4](#) [644168-1](#) [644827-2](#) [647662-1](#) [65039-019ELF](#) [65692-001LF](#) [65781-018](#) [65781-047](#)