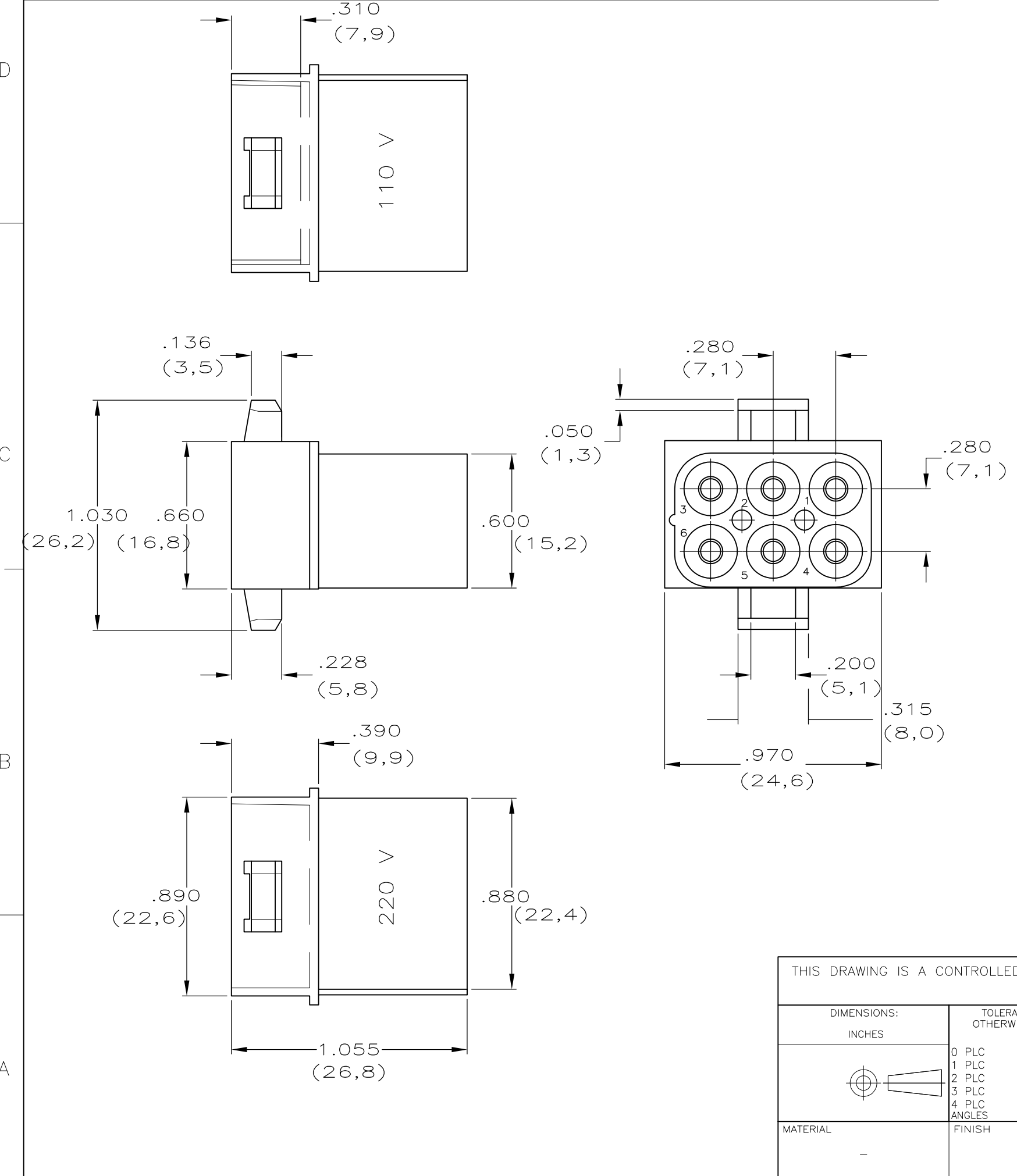


THIS DRAWING IS UNPUBLISHED. RELEASED FOR PUBLICATION
 © COPYRIGHT - TE Connectivity Ltd. ALL RIGHTS RESERVED.

| P | LTR | DESCRIPTION | DATE | DWN | APVD |
|---|-----|---------------------------|-----------|-----|------|
| | B1 | REVISED PER ECR-18-001762 | 15FEB2018 | BDA | JB |



| FINISH | MATERIAL | PARTNUMBER |
|---------|--|------------|
| BLACK | POLYAMIDE 94V-0 PHOSPHOR AND HALOGEN FREE | 4-163035-9 |
| BLACK | - | 3-163035-9 |
| GREY | - | 3-163035-8 |
| VIOLET | - | 3-163035-7 |
| BLUE | - | 3-163035-6 |
| GREEN | POLYAMIDE | 3-163035-5 |
| YELLOW | 94V-0 | 3-163035-4 |
| ORANGE | - | 3-163035-3 |
| RED | - | 3-163035-2 |
| BROWN | - | 3-163035-1 |
| NATURAL | - | 3-163035-0 |
| BLACK | - | 2-163035-9 |
| GREY | - | 2-163035-8 |
| VIOLET | POLYAMIDE | 2-163035-7 |
| BLUE | 94V-2 | 2-163035-6 |
| GREEN | WITH | 2-163035-5 |
| YELLOW | 110-220V | 2-163035-4 |
| ORANGE | - | 2-163035-3 |
| RED | - | 2-163035-2 |
| BROWN | - | 2-163035-1 |
| NATURAL | - | 2-163035-0 |
| BLACK | - | 1-163035-9 |
| GREY | - | 1-163035-8 |
| VIOLET | - | 1-163035-7 |
| BLUE | POLYAMIDE | 1-163035-6 |
| GREEN | 94V-2 | 1-163035-5 |
| YELLOW | - | 1-163035-4 |
| ORANGE | - | 1-163035-3 |
| - | - | - |
| BROWN | - | 1-163035-1 |
| NATURAL | - | 1-163035-0 |

OBSOLETE

OBSOLETE

THIS DRAWING IS A CONTROLLED DOCUMENT.

| | |
|-----------------------|--|
| DIMENSIONS: INCHES | TOLERANCES UNLESS OTHERWISE SPECIFIED: |
| | 0 PLC ± - |
| | 1 PLC ± - |
| | 2 PLC ± - |
| | 3 PLC ± - |
| | 4 PLC ± - |
| | ANGLES ± - |
| MATERIAL | FINISH |
| - | - |

| | | |
|------------------|------------|----------|
| DWN | J ELENBAAS | 14-11-94 |
| CHK | A BIJNEN | - |
| APVD | - | - |
| PRODUCT SPEC | - | - |
| APPLICATION SPEC | - | - |
| WEIGHT | - | - |

STE TE Connectivity Ltd.

6-CIRCUIT PINHOUSING
MATE-N-LOK

| | | | |
|------|-----------|------------|---------------|
| SIZE | CAGE CODE | DRAWING NO | RESTRICTED TO |
| A3 | 00779 | C-C-163035 | - |

CUSTOMER DRAWING SCALE - SHEET 1 OF 1 REV B1

X-ON Electronics

Largest Supplier of Electrical and Electronic Components

Click to view similar products for [Pin & Socket Connectors](#) category:

Click to view products by [TE Connectivity](#) manufacturer:

Other Similar products are found below :

[6450822-1](#) [770392-1](#) [794042-1](#) [796885-1](#) [8-794535-1](#) [PLR3455ACS-222](#) [R929991004](#) [R929993003](#) [1403611-1](#) [1-480349-5](#) [152302-5](#)
[153211-2](#) [1586092-1](#) [1586129-1](#) [1586681-4](#) [1586700-1](#) [1586368-1](#) [1586380-1](#) [1586616-1](#) [1586680-5](#) [16-06-0038](#) [164164-5](#) [1-6609930-1](#)
[172296-1](#) [19-09-2035](#) [200503-1](#) [200788-2](#) [2029090-4](#) [2029095-4](#) [925061-7](#) [293734-4](#) [293737-2](#) [1-765362-4](#) [1871534-1](#) [200833-4](#)
[2008625-2](#) [2029027-2](#) [2029096-4](#) [R929991000](#) [R929991002](#) [R929993000](#) [319-10-101-00-005000](#) [319-10-102-00-001000](#) [319-10-104-00-001000](#) [319-10-105-00-001000](#) [319-10-108-00-001000](#) [319-10-112-00-006000](#) [39-01-8019](#) [319-10-101-00-001000](#) [319-10-102-00-005000](#)