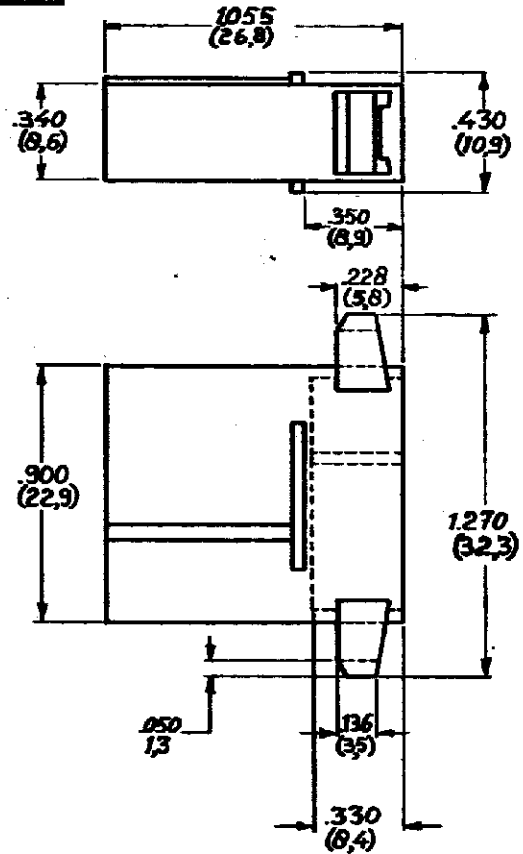
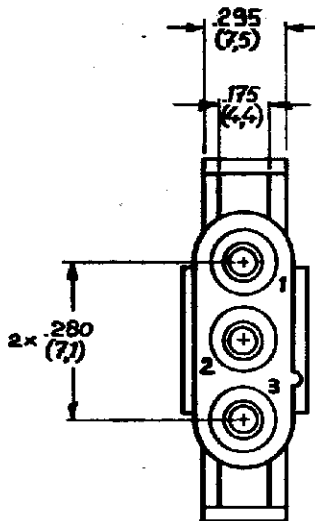


DRAWING MADE IN AMERICAN PROJECTION

NUMBER C-163037



(USA)

DIMENSIONS IN (MM) DO NOT SCALE PRINT

1-163037-9	BLACK	
1-163037-8	GREY	
1-163037-7	VIOLET	
1-163037-6	BLUE	
1-163037-5	GREEN	
1-163037-4	YELLOW	
1-163037-3	ORANGE	
1-163037-2	RED	
1-163037-1	BROWN	
1-163037-0	NATURAL	

CUSTOMER COPY FOR REFERENCE ONLY

©1968 BY AMP-HOLLAND N.V. ALL RIGHTS RESERVED A-MP PRODUCTS COVERED BY PATENTS AND/OR PATENTS PENDING.



AMP-HOLLAND N.V.
's-Hertogenbosch

MATERIAL ZYTEL 101	INSUL. RANGE	FIRST USED
-----------------------	--------------	------------

ORDER NO.	MATERIAL	PLATING	SCALE 2:1	SIZE A	NO C-163037	PAGE 1 OF 4	REV A
-----------	----------	---------	--------------	-----------	----------------	-------------	----------

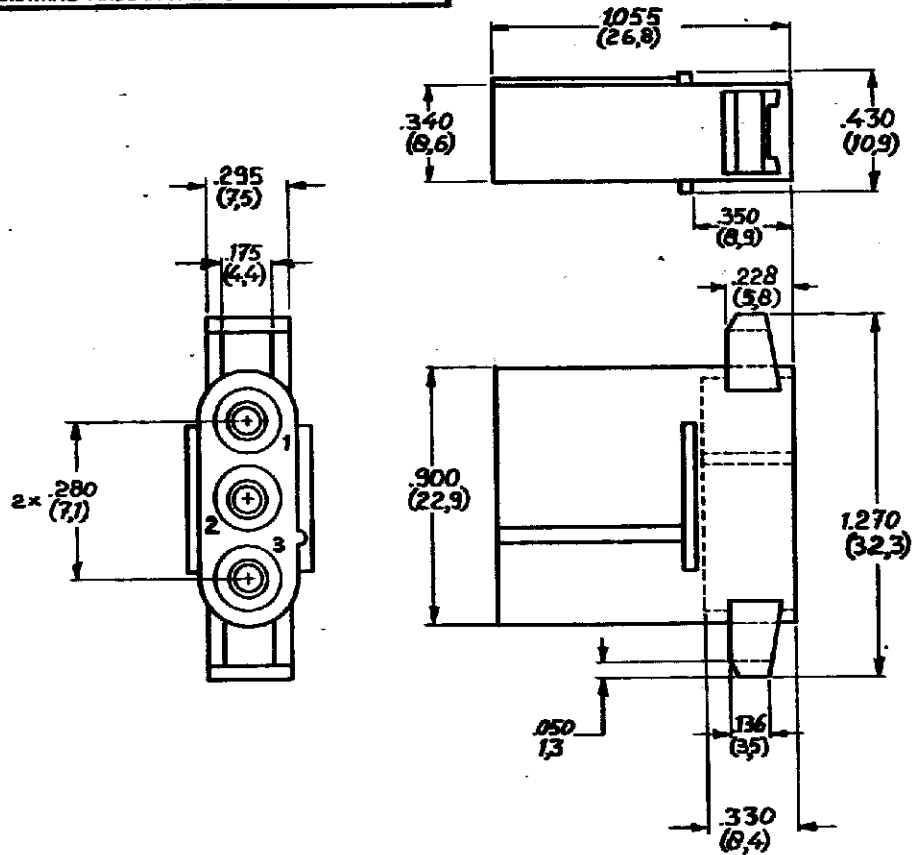
DR R. S. ...	DATE 16-73	DE	DATE
CHK Co. Tilburg	DATE 25-6-73	APP ...	DATE 27-6-73

NAME 3-CIRCUIT PIN HOUSING MATE-N-LOK

AMP 12241

DRAWING MADE IN AMERICAN PROJECTION

C-163037



(USA)

2-163037-9	BLACK	
2-163037-8	GREY	
2-163037-7	VIOLET	
2-163037-6	BLUE	
2-163037-5	GREEN	
2-163037-4	YELLOW	
2-163037-3	ORANGE	
2-163037-2	RED	
2-163037-1	BROWN	
2-163037-0	NATURAL	

DIMENSIONS IN (IN)

CUSTOMER COPY FOR REFERENCE ONLY

©1980 BY AMP-HOLLAND N.V. ALL RIGHTS RESERVED A-MP PRODUCTS COVERED BY PATENTS AND/OR PATENTS PENDING.



AMP-HOLLAND N.V.
's-Hertogenbosch

MAT: ZYTEL INSUL. RANGE FIRST USED
FE 3016

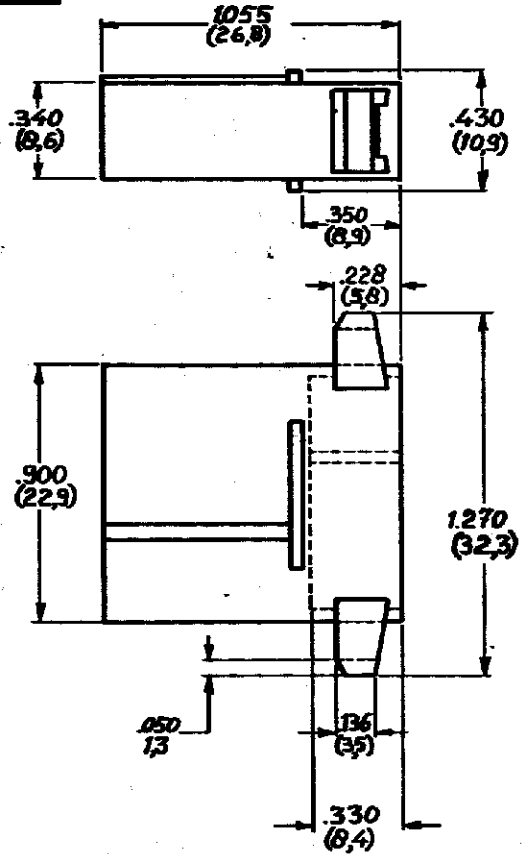
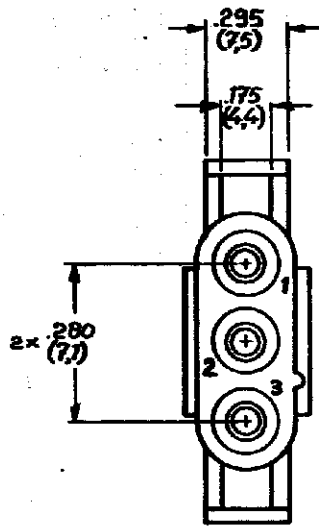
ORDER NO.	MATERIAL	PLATING
DR RVH. 4/80	DATE DE	DATE
DATE	DATE	DATE
20.4.80	APP	DATE
		20.4.80

SCALE	SIZE	NO	REV
2:1	A	C-163037 PAGE 2 OF 4	A

NAME: 3-CIRCUIT PIN HOUSING MATE-N-LOK

DRAWING MADE IN AMERICAN PROJECTION

NUMBER C-163037



(LSA)

DIMENSIONS IN (IN.) DO NOT SCALE PRINT

CUSTOMER COPY FOR REFERENCE ONLY

©1980 BY AMP-HOLLAND N.V. ALL RIGHTS RESERVED AMP PRODUCTS COVERED BY PATENTS AND/OR PATENTS PENDING.



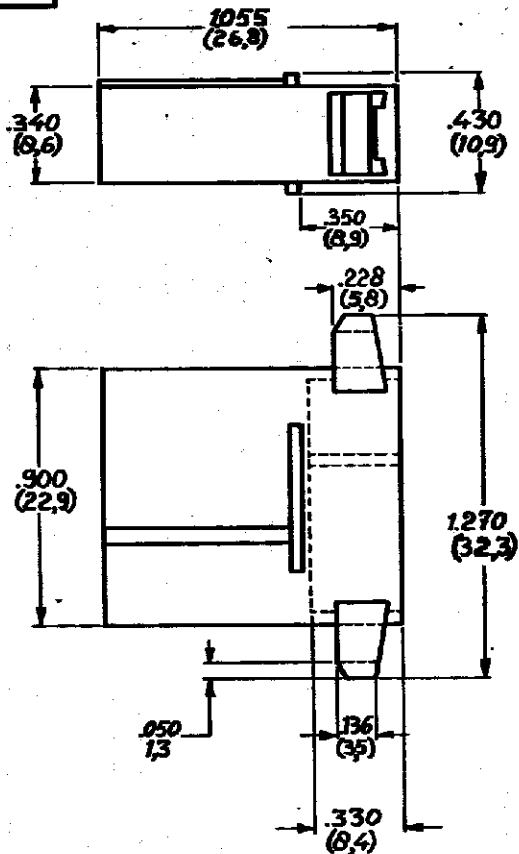
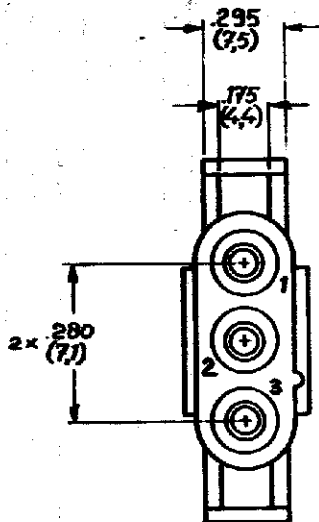
AMP-HOLLAND N.V.
's-Hertogenbosch

3-163037-0 NATURAL		
ORDER NO.	MATERIAL	PLATING
DR <i>RUH</i>	<i>1/00</i>	DATE DE
CHE <i>[Signature]</i>	DATE <i>10.09.80</i>	APPRO <i>[Signature]</i>

MATERIAL <i>TECHNIE A 10</i>	INSUL. RANGE	FIRST USED	SCALE 2:1		SIZE A	NO C-163037 PAGE 3 OF 4	REV A
NAME 3-CIRCUIT PIN HOUSING MATE-N-LOK							

DRAWING MADE IN AMERICAN PROJECTION

NUMBER C-163037



(USA)

DIMENSIONS IN INCHES DO NOT SCALE PRINT

4-163037-9	BLACK	
4-163037-8	GREY	
4-163037-7	VIOLET	
4-163037-6	BLUE	
4-163037-5	GREEN	
4-163037-4	YELLOW	
4-163037-3	ORANGE	
4-163037-2	RED	
4-163037-1	BROWN	
4-163037-0	NATURAL	

CUSTOMER COPY FOR REFERENCE ONLY

©1980 BY AMP-HOLLAND N.V. ALL RIGHTS RESERVED A-MP PRODUCTS COVERED BY PATENTS AND/OR PATENTS PENDING.



AMP-HOLLAND N.V.
's-Hertogenbosch

MATERIAL DIAMETER A2 1-2208	FIRST USED
SCALE 2:1	SIZE A
NO C-163037	REV A
PAGE 4 OF 4	
NAME 3-CIRCUIT PIN HOUSING MATE-N-LOK	

ORDER NO.	MATERIAL	PLATING
DATE 24 8 80	DATE 22 8 80	DATE 22 8 80

X-ON Electronics

Largest Supplier of Electrical and Electronic Components

Click to view similar products for [Pin & Socket Connectors](#) category:

Click to view products by [TE Connectivity](#) manufacturer:

Other Similar products are found below :

[6450822-1](#) [770392-1](#) [794042-1](#) [796885-1](#) [8-794535-1](#) [PLR3455ACS-222](#) [R929991004](#) [R929993003](#) [1403611-1](#) [1-480349-5](#) [152302-5](#)
[153211-2](#) [1586092-1](#) [1586129-1](#) [1586681-4](#) [1586700-1](#) [1586368-1](#) [1586380-1](#) [1586616-1](#) [1586680-5](#) [16-06-0038](#) [164164-5](#) [1-6609930-1](#)
[172296-1](#) [19-09-2035](#) [200503-1](#) [200788-2](#) [2029090-4](#) [2029095-4](#) [925061-7](#) [293734-4](#) [293737-2](#) [1-765362-4](#) [1871534-1](#) [200833-4](#)
[2008625-2](#) [2029027-2](#) [2029096-4](#) [R929991000](#) [R929991002](#) [R929993000](#) [319-10-101-00-005000](#) [319-10-102-00-001000](#) [319-10-104-00-001000](#) [319-10-105-00-001000](#) [319-10-108-00-001000](#) [319-10-112-00-006000](#) [39-01-8019](#) [319-10-101-00-001000](#) [319-10-102-00-005000](#)