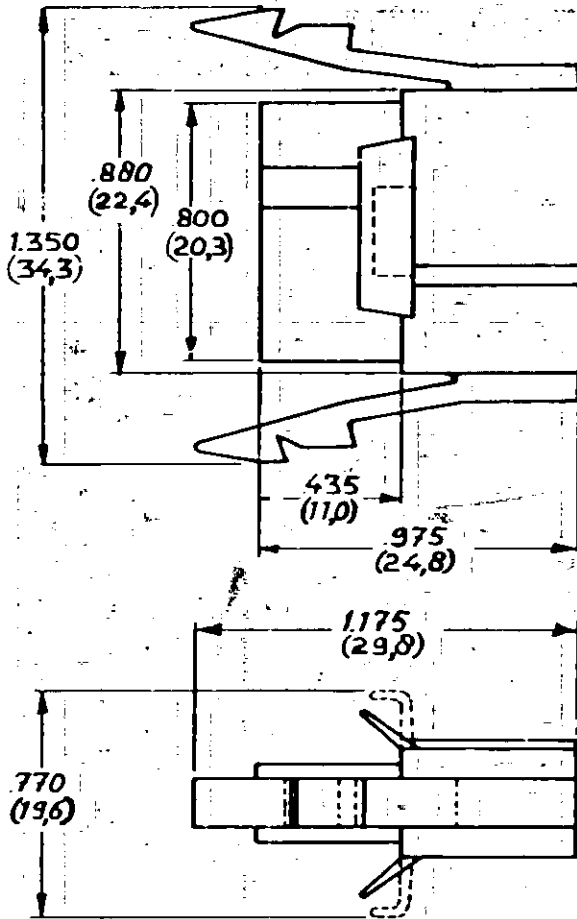
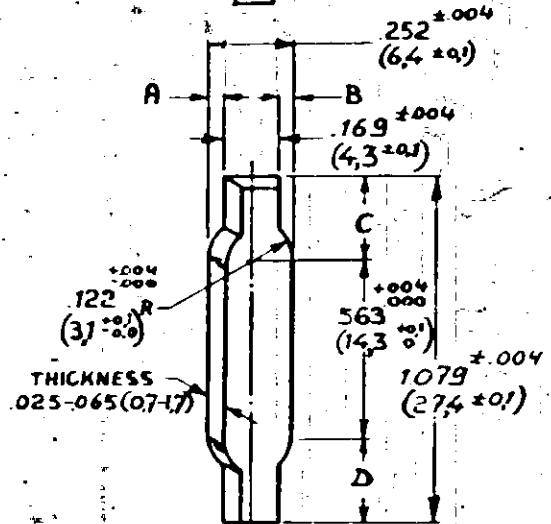
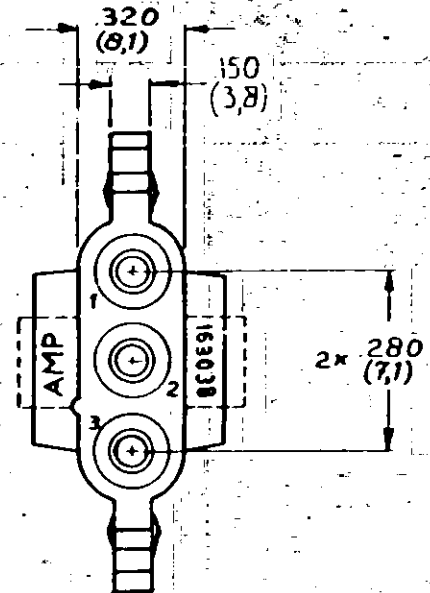


DRAWING MADE IN AMERICAN PROJECTION

NUMBER C-163038



ANTI-RATTLE WINGS AND LOCKING BARBS CAN BE DIFFERENT OF APPEARANCE.



PANEL CUT-OUT

DIMENSIONS A B B AND C & D TO BE EQUAL WITHIN (0.2) 008 THE PANEL MUST BE PUNCHED SO THAT THE HOUSING ENTERS THE PANEL IN THE SAME DIRECTION AS THE PUNCH.

INCHES DIMENSIONS IN () DO NOT SCALE PRINT

1-163038-9	BLACK	
1-163038-8	GREY	
1-163038-7	VIOLET	
1-163038-6	BLUE	
1-163038-5	GREEN	
1-163038-4	YELLOW	
1-163038-3	ORANGE	
1-163038-2	RED	
1-163038-1	BROWN	
1-163038-0	NATURAL	

CUSTOMER COPY FOR REFERENCE ONLY

©1980 BY AMP-HOLLAND N.V. ALL RIGHTS RESERVED A-MP PRODUCTS COVERED BY PATENTS AND/OR PATENTS PENDING.



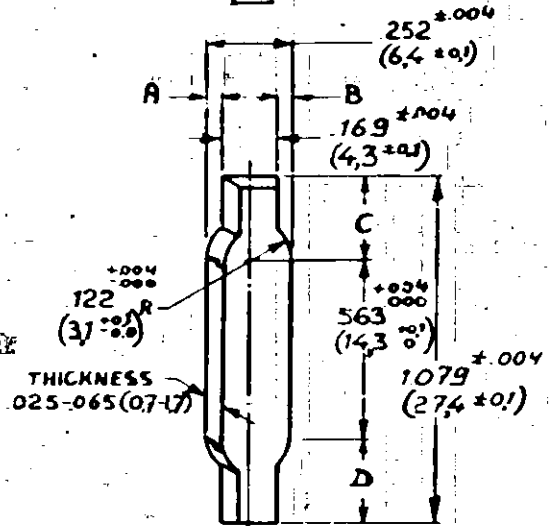
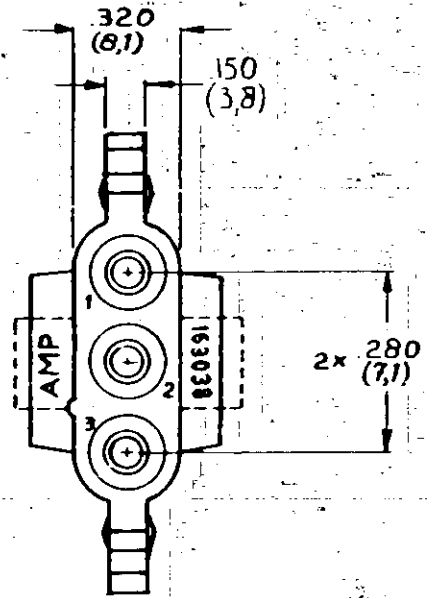
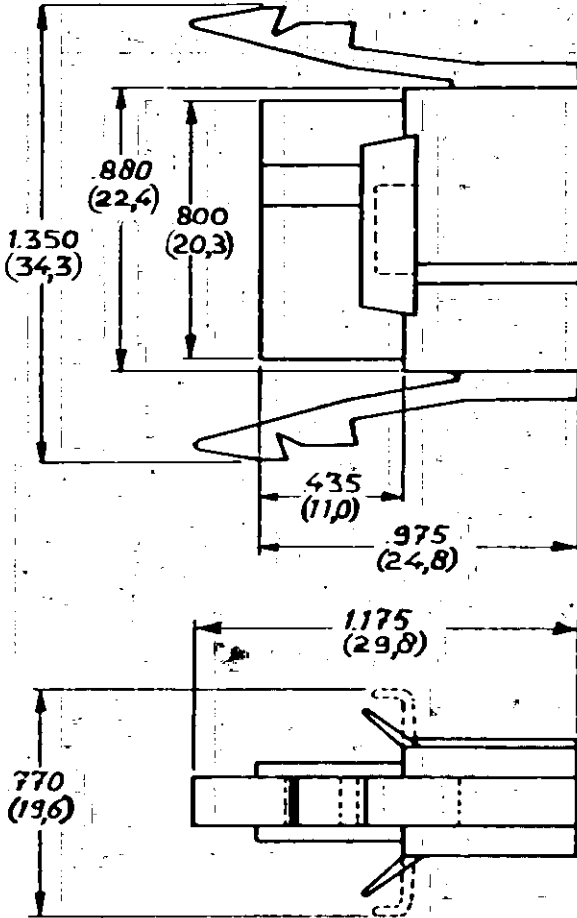
AMP-HOLLAND N.V.
's-Hertogenbosch

ORDER NO.	MATERIAL	PLATING	SCALE	SIZE	NO	REV
DR R. Visser	DATE 11.6.73	DATE	2:1	A	C-163038	PAGE 1 OF 4
CHK C. Tilburg	DATE 26.7.75	DATE 27.8.73	NAME 3-CIRCUIT SOCKET HOUSING MATE-N-LOK			

MATERIAL ZYTEL 101	INSUL. RANGE	FIRST USED
AMP 12345		

DRAWING MADE IN AMERICAN PROJECTION

NUMBER C-163038



PANEL CUT-OUT

DIMENSIONS A & B AND C & D TO BE EQUAL WITHIN (02) 008 THE PANEL MUST BE PUNCHED SO THAT THE HOUSING ENTERS THE PANEL IN THE SAME DIRECTION AS THE PUNCH.

ANTI-RATTLE WINGS AND LOCKING BARBS CAN BE DIFFERENT OF APPEARANCE

2-163038-9	BLACK	
2-163038-8	GREY	
2-163038-7	VIOLET	
2-163038-6	BLUE	
2-163038-5	GREEN	
2-163038-4	YELLOW	
2-163038-3	ORANGE	
2-163038-2	RED	
2-163038-1	BROWN	
2-163038-0	NATURAL	

CUSTOMER COPY FOR REFERENCE ONLY

©1980 BY AMP-HOLLAND N.V. ALL RIGHTS RESERVED A.M.P. PRODUCTS COVERED BY PATENTS AND/OR PATENTS PENDING.



AMP-HOLLAND N.V.
's-Hertogenbosch

MAT. ZYTEL FE 3016	INS. JL. RANGE	FIRST USED
SCALE 2:1	SIZE A	NO C-163038
PAGE 2 OF 4		REV C

3-CIRCUIT SOCKET HOUSING MATE-N-LOK

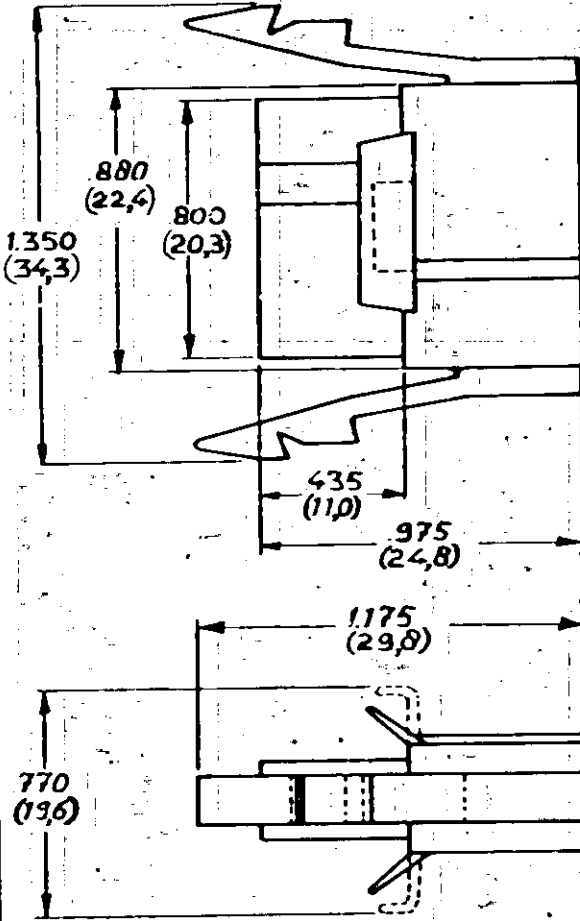
INCHES DIMENSIONS IN () (M.M.) DO NOT SCALE PRINT

OR R. Visser	DATE 26.7.73	DATE
CHK C. Tilburg	DATE 26.6.75	DATE 27.5.73

AMP 12624

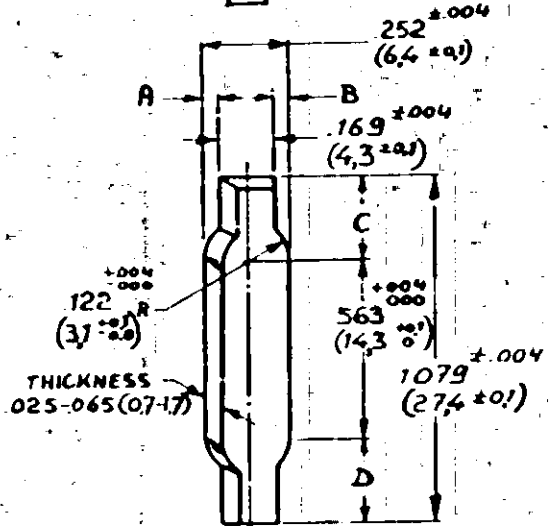
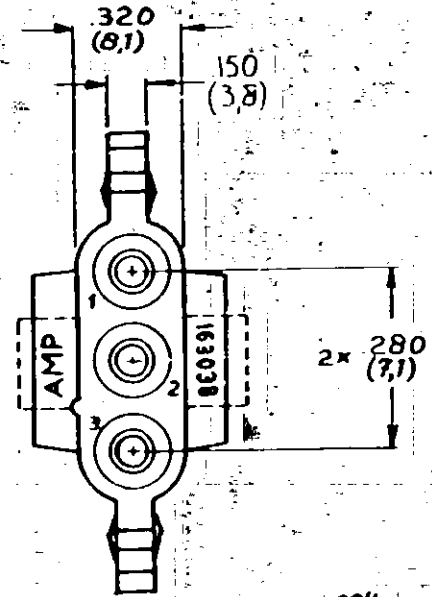
DRAWING MADE IN AMERICAN PROJECTION

NUMBER C-163038



(USA)

ANTI-RATTLE WINGS AND LOCKING BARBS CAN BE DIFFERENT OF APPEARANCE



PANEL CUT-OUT

DIMENSIONS A-B-B AND C-B-D TO BE EQUAL WITHIN (.02) 008 THE PANEL MUST BE PUNCHED SO THAT THE HOUSING ENTERS THE PANEL IN THE SAME DIRECTION AS THE PUNCH.

DIMENSIONS IN () INCHES DO NOT SCALE PRINT

CUSTOMER COPY FOR REFERENCE ONLY

©1980 BY AMP-HOLLAND N.V. ALL RIGHTS RESERVED A-MP PRODUCTS COVERED BY PATENTS AND/OR PATENTS PENDING



AMP-HOLLAND N.V.
's-Hertogenbosch

3-163038-0	NATURAL	
ORDER NO	MATERIAL	PLATING

MATERIAL TECHNVL- R10	INSUL RANGE	FIRST USED
SCALE 2:1	SIZE A	NO C-163038
PAGE 3 OF 4		REV C

DR R. J. J. DATE 2/6/73
 CHK C. Tiburg DATE 2/25/73

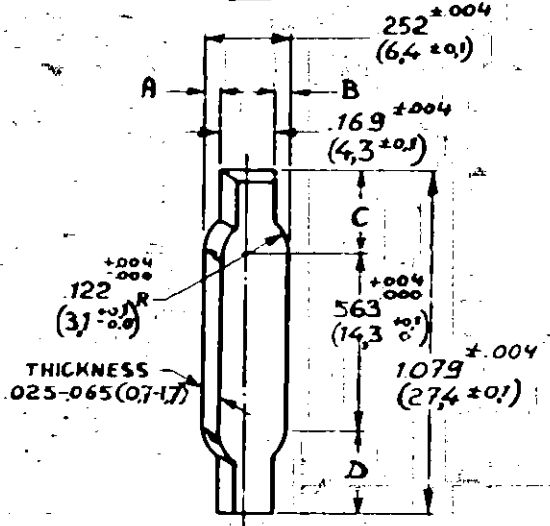
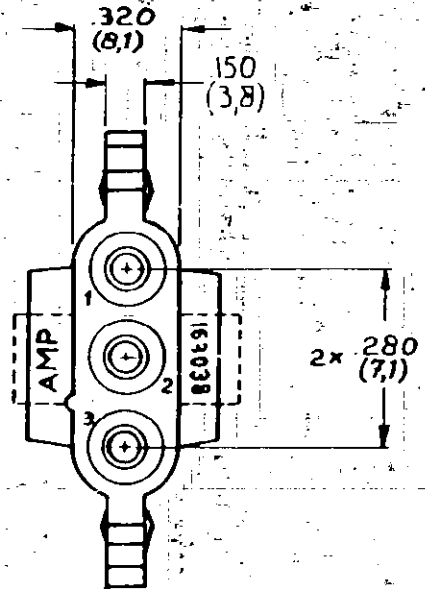
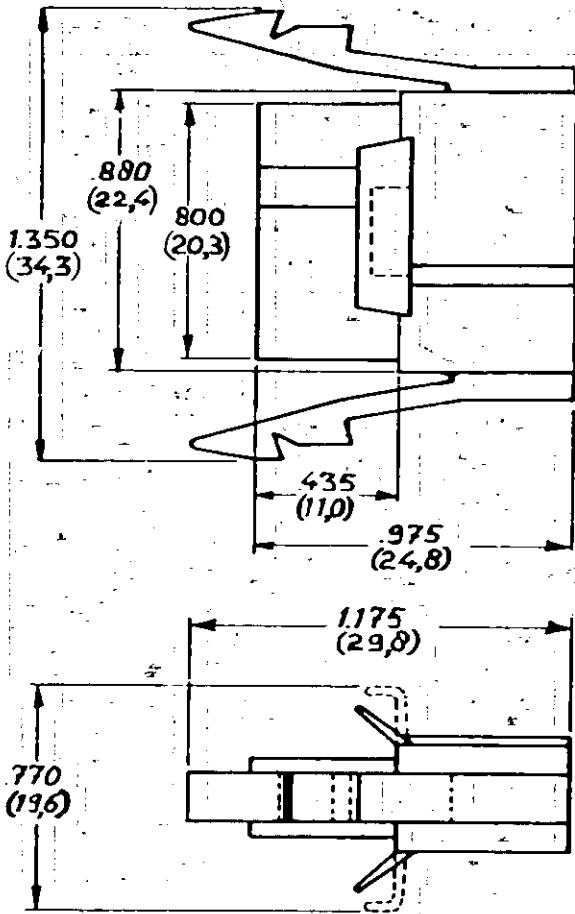
NAME 3-CIRCUIT SOCKET HOUSING MATE-N-LOK

AMP 1283-4

DRAWING MADE IN AMERICAN PROJECTION

NUMBER C-163038

(USA)



*ANTI-RATTLE WINGS AND LOCKING BARBS CAN BE DIFFERENT OF APPEARANCE.

DIMENSIONS ABB AND C&D TO BE EQUAL WITHIN (02) 008 THE PANEL MUST BE PUNCHED SO THAT THE HOUSING ENTERS THE PANEL IN THE SAME DIRECTION AS THE PUNCH.

INCHES DIMENSIONS IN () DO NOT SCALE PRINT

4-163038-9	BLACK	
4-163038-8	GREY	
4-163038-7	VIOLET	
4-163038-6	BLUE	
4-163038-5	GREEN	
4-163038-4	YELLOW	
4-163038-3	ORANGE	
4-163038-2	RED	
4-163038-1	BROWN	
4-163038-0	NATURAL	
ORDER NO	MATERIAL	PLATING

CUSTOMER COPY FOR REFERENCE ONLY

©1980 BY AMP-HOLLAND N.V. ALL RIGHTS RESERVED A-MP PRODUCTS COVERED BY PATENTS AND/OR PATENTS PENDING.



AMP-HOLLAND N.V.
's-Hertogenbosch

MATERIAL: DURETHAN KL1-2208	FIRST USED
SCALE: 2:1	SIZE: A
NO: C-163038	PAGE 4 OF 4
REV: C	

DR: R. Jisse DATE: 2.6.73
 CHK: C. Tibburg DATE: 26.6.75

NAME: 3-CIRCUIT SOCKET HOUSING MATE-N-LOK

AMP 1282-H

X-ON Electronics

Largest Supplier of Electrical and Electronic Components

Click to view similar products for [Pin & Socket Connectors](#) category:

Click to view products by [TE Connectivity](#) manufacturer:

Other Similar products are found below :

[6450822-1](#) [770392-1](#) [794042-1](#) [796885-1](#) [8-794535-1](#) [PLR3455ACS-222](#) [R929991004](#) [R929993003](#) [1403611-1](#) [1-480349-5](#) [152302-5](#)
[153211-2](#) [1586092-1](#) [1586129-1](#) [1586681-4](#) [1586700-1](#) [1586368-1](#) [1586380-1](#) [1586616-1](#) [1586680-5](#) [16-06-0038](#) [164164-5](#) [1-6609930-1](#)
[172296-1](#) [19-09-2035](#) [200503-1](#) [200788-2](#) [2029090-4](#) [2029095-4](#) [925061-7](#) [293734-4](#) [293737-2](#) [1-765362-4](#) [1871534-1](#) [200833-4](#)
[2008625-2](#) [2029027-2](#) [2029096-4](#) [R929991000](#) [R929991002](#) [R929993000](#) [319-10-101-00-005000](#) [319-10-102-00-001000](#) [319-10-104-00-001000](#) [319-10-105-00-001000](#) [319-10-108-00-001000](#) [319-10-112-00-006000](#) [39-01-8019](#) [319-10-101-00-001000](#) [319-10-102-00-005000](#)