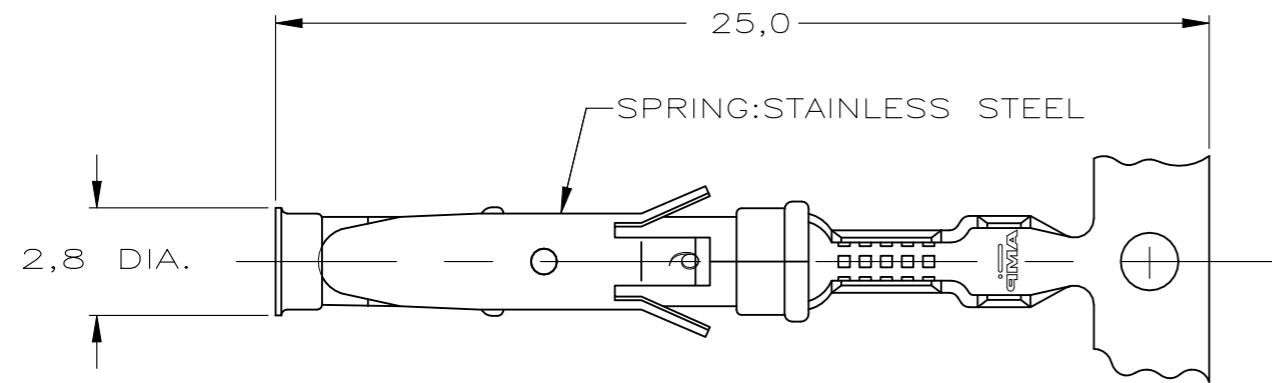
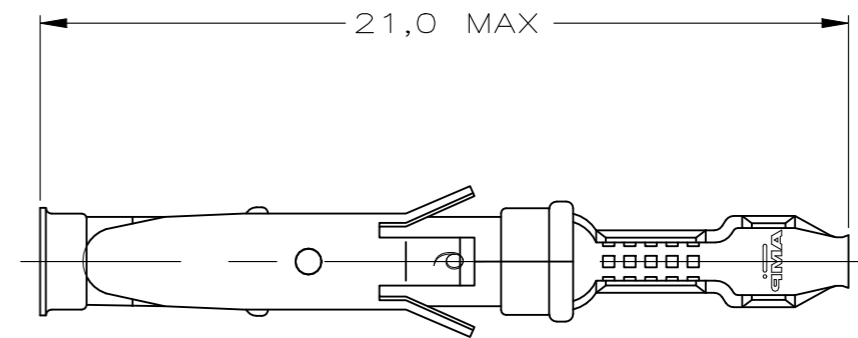


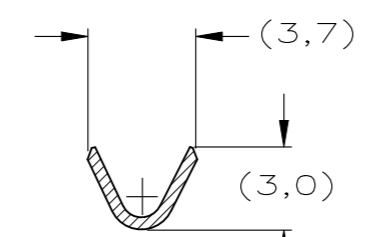
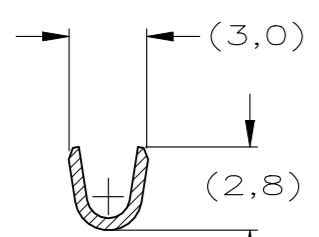
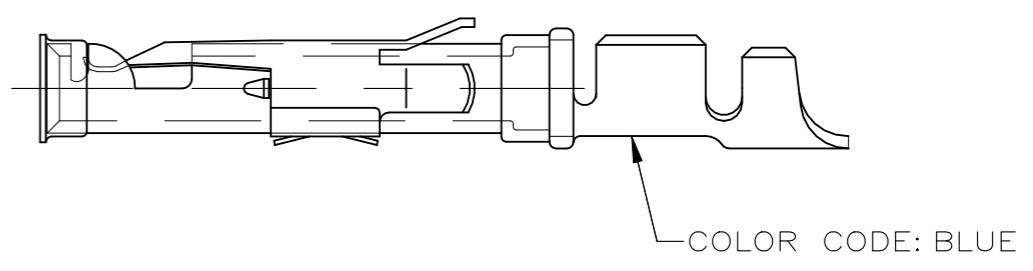
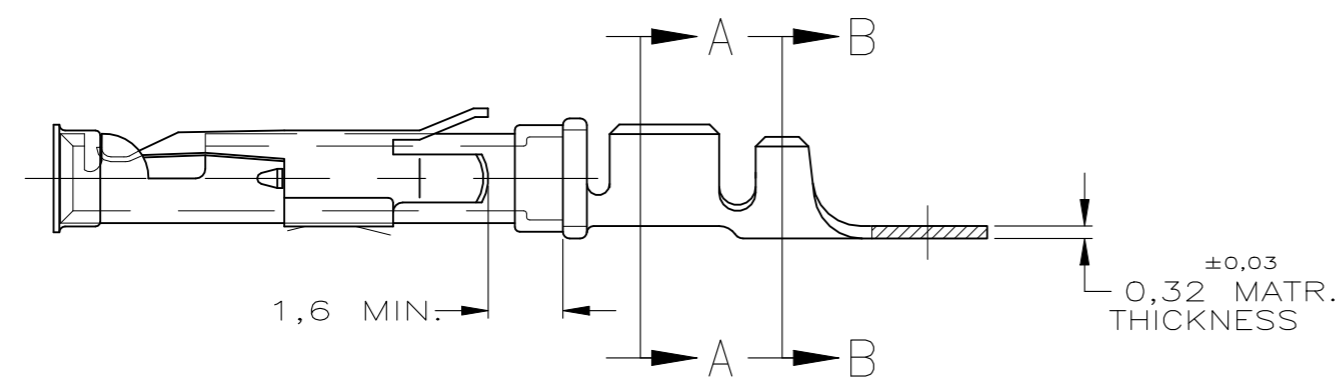
REVISIONS					
P	LTR	DESCRIPTION	DATE	DWN	APVD
	BA	ECO-21-006957	25JUN2021	RK	MZ



STRIP



LOOSE-PIECE

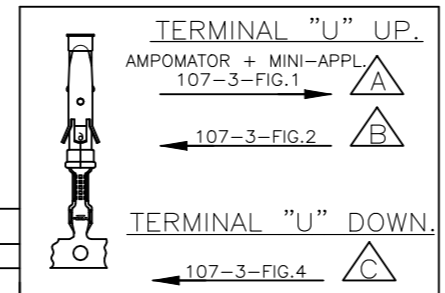


SECTION A-A

SECTION B-B

WIRE RANGE : 0,75-1,50 mm² (18-16 AWG)
 INSUL. RANGE : 2,0-2,5 mm (.080-.100)

REVISION	DESCRIPTION	DATE	DWN	APVD
△ OBSOLETE	△ 5-163083-3	△ C	1-163084-4	BRASS ECON.GOLD △ 21
	△ 5-163083-2	△ C		BRASS SEL.GOLD △ 22
	△ 5-163083-1	△ C		BRASS EL.TIN △ 20
	1-163083-4	△ A	1-163084-4	BRASS EL.TIN △ 31 △ 20
△ OBSOLETE	1-163083-3	△ A	1-163084-3	BRASS BR.TIN △ 30
	1-163083-2	△ A	163084-9	BRASS SILVER △ 28
	1-163083-1	△ A		BRASS ECON.GOLD △ 21
	1-163083-0	△ B	1-163084-0	BRASS ECON.GOLD △ 21
	163083-9	△ B		BRASS SILVER △ 28
	163083-8	△ A		BRASS EL.TIN △ 20
	163083-7	△ A		BRASS SEL.GOLD △ 22
△ 1	163083-2	△ B	163084-2	BRASS SEL.GOLD △ 22
△ 1	163083-1	△ B	163084-1	BRASS EL.TIN △ 20
PART NUMBER	DIRECTION OF REEL	LOOSE-PIECE	MATERIAL	PLATING



- NOTES :
- △ 1 UL RECOGNIZED UNDER E28476 VOL VI SEC I
 - 2 FOR CRIMP DETAILS SEE SPEC. 114-19000
 - 3 MEETS PRODUCT SPECIFICATION 108-10042
 - △ 4 SPECIAL REEL WITH 200PCS FOR REEL-FED HAND-TOOL
 - △ 5 OBSOLETE PARTS: OBSOLETE CIS STREAMLINING PER D.RENAUD/D.SINISI
 - △ 6 OBSOLETE
 - 7 OMISSION OF 6 CONTACTS MAX PER REEL OF 5000PCS
 - △ 31 LUBRICATED

NOTES	MATERIAL	THICKNESS	AREA
△ 20	TIN	2,0 μm	ALL OVER
△ 21	NICKEL GOLD TIN	.76 μm .76 μm 1.01 μm	ALL OVER CONTACT AREA BARREL
△ 22	NICKEL GOLD TIN	1.27 μm .76 μm 1.01 μm	ALL OVER CONTACT AREA BARREL
△ 23	NICKEL GOLD GOLD	1,2 μm	ALL OVER CONTACT AREA ALL OVER
△ 27	NICKEL SILVER TIN	2,5 μm	ALL OVER CONTACT AREA BARREL
△ 28	SILVER NICKEL	1,5-2,5 μm 0,76 μm	ALL OVER
△ 29	SILVER	2,5 μm	ALL OVER
△ 30	NICKEL TIN	1,27 μm 1,27 μm	ALL OVER ALL OVER

THIS DRAWING IS A CONTROLLED DOCUMENT.

DIMENSIONS:	TOLERANCES UNLESS OTHERWISE SPECIFIED:
mm	0 PLC ± -
	1 PLC ± -
	2 PLC ± -
	3 PLC ± -
	4 PLC ± -
	ANGLES ± -
MATERIAL	FINISH
REFER TABLE	REFER TABLE

DWN M THAJUDEEN 21JULY2015
 CHK GANI NIMBENNAPPA 21JULY2015
 APVD PRASHANTH S 21JULY2015

STE TE Connectivity

NAME: TYPE III+, SIZE 16, SOCKET ASS'Y, 18-16 AWG, 2.0-2.5mm DIA INSULATION

PRODUCT SPEC: 108-10042
 APPLICATION SPEC: 114-19000

SIZE: A3 CAGE CODE: 00779 DRAWING NO: C-163083 RESTRICTED TO: -

WEIGHT: -

CUSTOMER DRAWING SCALE: - SHEET: 1 OF 1 REV: BA

X-ON Electronics

Largest Supplier of Electrical and Electronic Components

Click to view similar products for [Standard Circular Contacts](#) category:

Click to view products by [TE Connectivity](#) manufacturer:

Other Similar products are found below :

[RC16M23J](#) [133780-1](#) [RM20M13D28](#) [RM24M9D28](#) [RMMX110-1D28](#) [MS3474W10-6P L/C](#) [ELFH02211](#) [ELVP16100E](#) [164-901-CD](#)
[EN3545007SCE](#) [BV002BSQ20049CZ](#) [BV002SSQ160404CZ](#) [1900ND05S1B00B](#) [166566-1](#) [1900ND04S1X00D](#) [ST-JL05-16S-C3-100](#) [ST-JL05-20S-C1-100](#) [ST-JL05-20S-C2-100](#) [T01-CRIMP-S03](#) [APK-SA16A07-002](#) [27963-15T12](#) [CONT-JL05-08S-C2-10](#) [CONT-JL05-12S-C1-10](#) [RC16M-23T](#) [RFD26L-1D28](#) [BV002ASJ16049CW](#) [JN1-22-20S-R-PKG100](#) [031-50213](#) [031-50565](#) [031-50794](#) [SJS861301M](#) [ST-JL05-16S-C1-100](#) [ST-JL05-20P-C1-100](#) [82911466K](#) [192991-0087](#) [192900-0570](#) [44-100-1414P-1000-101](#) [T3P16FC3LZ](#) [ST-JL05-16S-C2-3500](#)
[ZP-4016-10NF](#) [CONT-JL05-12P-C1-10](#) [RM20M12G8D28](#) [031-50676](#) [12115010110](#) [RJFTVC2MG](#) [CAP-DACMDPC2](#) [031-50675-002](#)
[CAP-DD1FDPC2](#) [CAP-DACMDPC1](#) [031-50966-010](#)