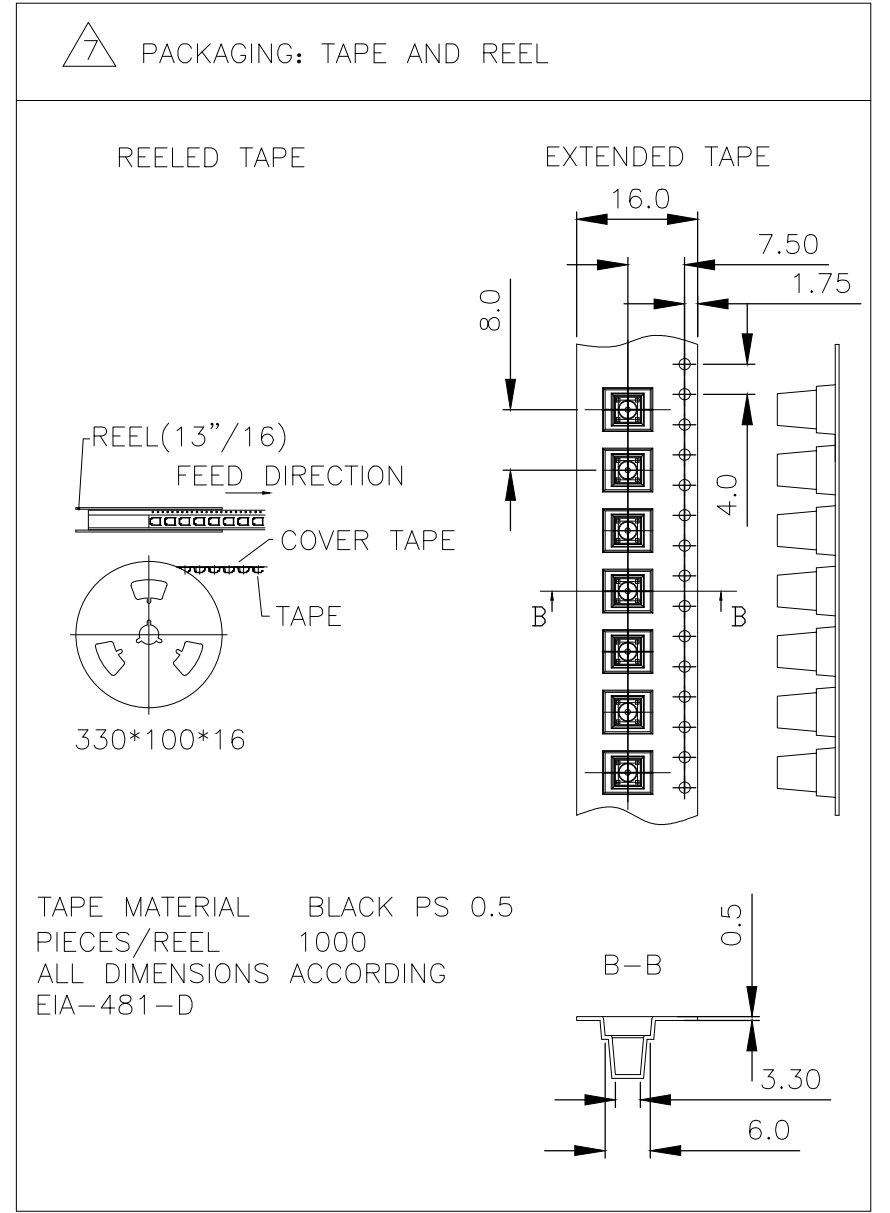
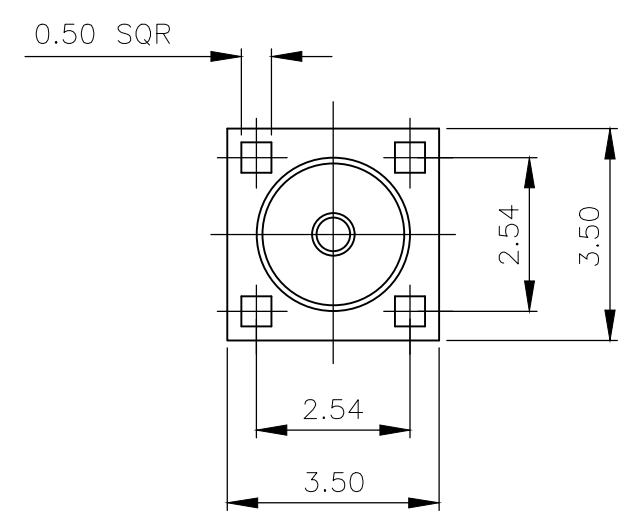
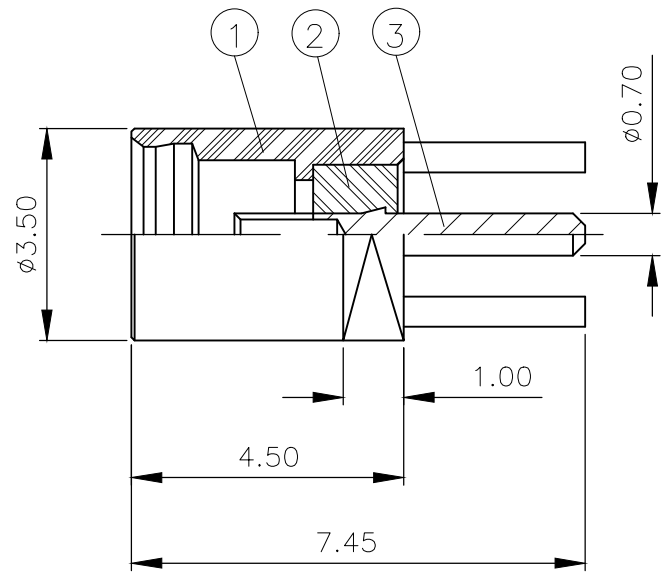


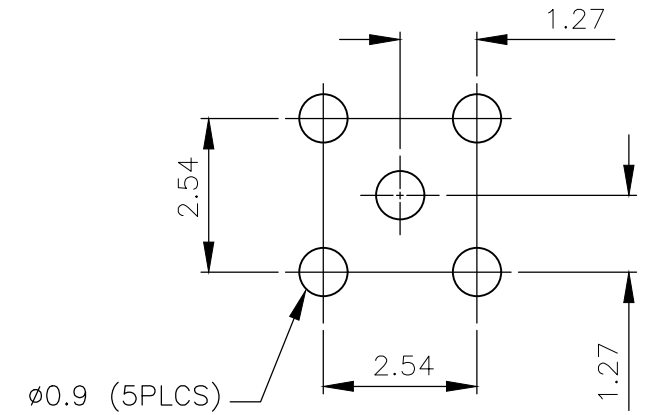
THIS DRAWING IS UNPUBLISHED. RELEASED FOR PUBLICATION NOV ,2003.
 © COPYRIGHT 2003 By - ALL RIGHTS RESERVED.

P	LTR	DESCRIPTION	DATE	DWN	APVD
	D1	ECR-18-007914	20JUN2018	ED	RS



- ① SINGLE PACK: 1PC IN A BAG WITH LABEL; 100 BAGS IN AN INNER BOX WITH LABEL; 20 INNER BOXES IN A CARTON WITH LABEL
- ② 100 PCS IN A TRAY WITH LABEL; 25 TRAYS IN A CARTON WITH LABEL
- ③ Au PLATING
- ④ FLASH Au PLATING

RECOMMENDED PCB LAYOUT



ELECTRICAL CHARACTERISTICS

FREQUENCY RANGE:	DC - 6GHz
NOMINAL IMPEDANCE:	50 Ohm
INSULATION RESISTANCE:	1000MOhm
WORKING VOLTAGE:	335V RMS at Sea Level
DIELECTRIC WITHSTAND VOLTAGE:	500V RMS Max
CONTACT RESISTANCE:	
CENTRE CONTACT:	5.00 MOhm Max
OUTER CONTACT:	2.50 MOhm Max

MECHANICAL CHARACTERISTICS

DURABILITY:	500 Cycles Min
-------------	----------------

ENVIRONMENTAL CHARACTERISTICS

OPERATING TEMPERATURE:	-65°C to +165°C
------------------------	-----------------

5 FOR TECHNICAL DATA REFER TO YOUR LOCAL TE CONNECTIVITY SALES OFFICE

6 ALL DIMENSIONS ARE NOMINAL FOR REFERENCE ONLY UNLESS OTHERWISE STATED

QUANTITY PER ASSY	7	2	1	MATERIAL	DESCRIPTION	ITEM
	1	1	1	BERYLLIUM COPPER ③	SOCKET	3
	1	1	1	PTFE	INSULATOR	2
	1	1	1	BRASS ④	BODY	1

THIS DRAWING IS A CONTROLLED DOCUMENT.		DWN J.SANDWELL 12NOV03	TE Connectivity			
		CHK S.PARLOW 12NOV03				
		APVD F.WHEELER-KING 12NOV03	NAME			
		PRODUCT SPEC	MMCX STRAIGHT PCB MOUNT SOCKET RECEPTACLE			
		APPLICATION SPEC	50 OHMS			
		WEIGHT 0.000000	SIZE A3	CAGE CODE 00779	DRAWING NO C-1634009	RESTRICTED TO
MATERIAL SEE TABLE		FINISH SEE TABLE	CUSTOMER DRAWING		SCALE NTS	SHEET 1 OF 1
					REV D1	

X-ON Electronics

Largest Supplier of Electrical and Electronic Components

Click to view similar products for [RF Connectors / Coaxial Connectors](#) category:

Click to view products by [TE Connectivity](#) manufacturer:

Other Similar products are found below :

[8915-1511-000](#) [89674-0827](#) [6001-7071-019](#) [6002-7051-003](#) [6002-7551-202](#) [6059674-1](#) [619550-1](#) [630059-000](#) [M39030/3-01N](#) [6500-7071-046](#) [6769](#) [CX050L2AQ](#) [7002-1541-010](#) [7002-1542-011](#) [7004-1512-000](#) [7009-1511-004](#) [7010-1511-000](#) [7029-1511-060](#) [7101-1541-010](#) [7101-1571-002](#) [7105-1521-002](#) [7145-1521-002](#) [7203-1571-003](#) [7209-1511-011](#) [7210-1511-015](#) [7210-1511-019](#) [73137-5015](#) [73216-2241](#) [73404-2300](#) [7405-1521-005](#) [7405-1521-802](#) [8527](#) [8547](#) [FS11V](#) [877931](#) [8808-1511-001](#) [9074-9513-000](#) [9101-9573-002](#) [910A205F](#) [9130-9573-002](#) [PL11SC-026](#) [PL375-33](#) [PL40-5](#) [PL74C-221](#) [PL75MC-217](#) [PL803-7](#) [1200690078](#) [1-201144-1](#) [R107003010W](#) [R110A172100](#)