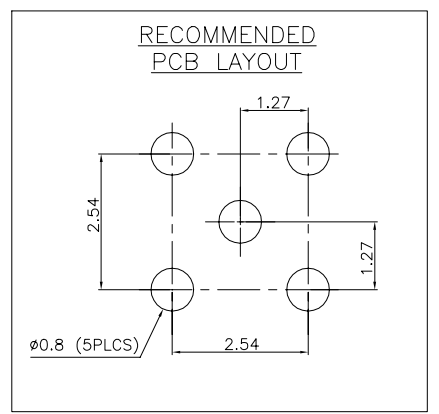
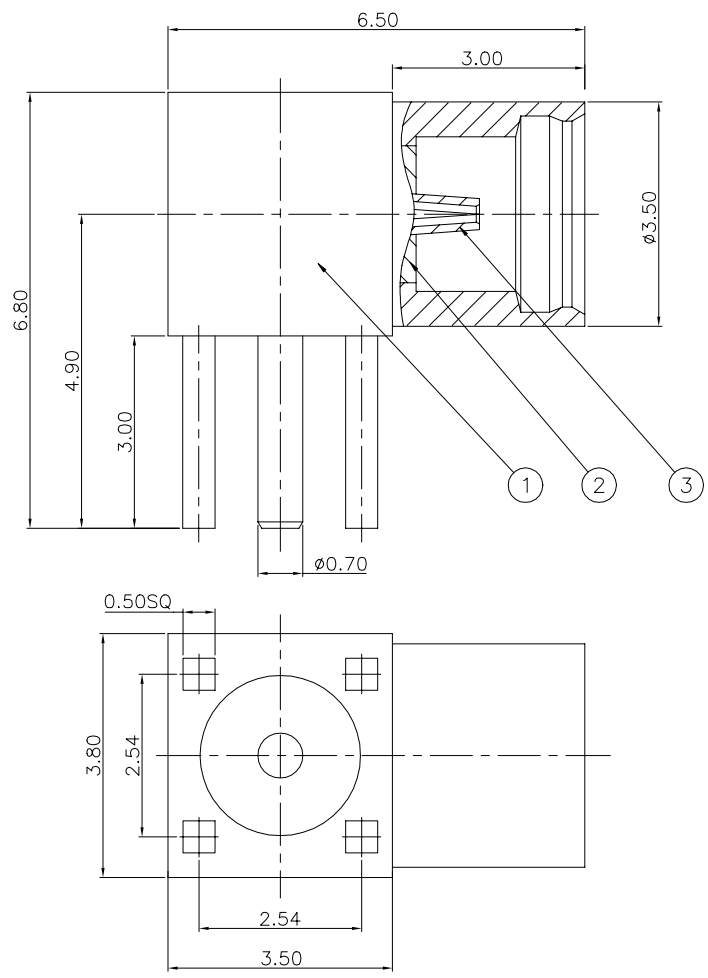


THIS DRAWING IS UNPUBLISHED. RELEASED FOR PUBLICATION NOV .2003.
 © COPYRIGHT 2003 By - ALL RIGHTS RESERVED.

REVISIONS					
P	LTR	DESCRIPTION	DATE	DWN	APVD
E2		REVISED PER ECR-20-009280	30JUN2020	RZ	RS

- NOTES:
- 1 SINGLE PACK IN ACCORDANCE WITH AMP SPEC 107-3275
 - 2 100 TRAY PACK IN ACCORDANCE WITH AMP SPEC 107-3275
 - 3 Au0.05um PLATING OVER Ni1.27um PLATING OVER Cu1um PLATING
 - 4 Au0.8um PLATING OVER Ni2.5um PLATING OVER Cu1um PLATING
 - 5 Au0.08um PLATING OVER Ni2.5um PLATING OVER Cu1um PLATING
 - 6. FOR TECHNICAL DATA REFER TO YOUR LOCAL TE CONNECTIVITY SALES OFFICE
 - 7. ALL DIMENSIONS ARE NOMINAL FOR REFERENCE ONLY UNLESS OTHERWISE STATED



QTY	PLC	TRAY	TRAY	MATERIAL	DESCRIPTION	ITEM
-	1	1	-	BERYLLIUM COPPER	SOCKET	3
1	-	-	1	BERYLLIUM COPPER	SOCKET	3
2	2	2	2	PTFE	INSULATOR	2
-	1	1	-	BRASS	BODY	1
1	-	-	1	BRASS	BODY	1
6--0	3--0	2--0	1--0			

ELECTRICAL	MECHANICAL	ENVIRONMENTAL
Impedance (Ohm) <u>50</u> Frequency Range (GHz) <u>DC to 6GHz</u> Voltage Rating (Peak) <u>170 V RMS</u> @ <u>50</u> Sec Level Insulation Resistance (MIN.) <u>1000 M ohms</u> Contact Resistance (Milliohms MAX) Center Contact <u>5.0</u> Outer Contact <u>2.5</u> Dielectric Withstand Voltage: <u>500 V RMS Max</u> Insertion Loss : <u>N/A</u> dB VSWR: <u>1.35 MAXI</u> (GHz) RF leakage: <u>N/A</u> 3rd Intermodulation: <u>N/A</u>	Interface Dimension CECC 22 000 Force to Engage and Disengage (N) Engage: <u>18 MAXI</u> Disengage: <u>6 MINI</u> Center Contact Captivation Axial (N) <u>6.0</u> Radial (In/Oz) <u>N/A</u> Cable Retention Axial (Lbs) <u>N/A</u> Mating cycles <u>500</u> cycles	TEMPERATURE RANGE <u>-55 TO + 125</u> THERMAL SHOCK <u>MIL-STD-202, METHOD107, B</u> CORROSION <u>MIL-STD-202, METHOD101, B</u> VIBRATION <u>MIL-STD-202, METHOD204, B</u> MOISTURE RESISTANCE <u>MIL-STD-202, METHOD106</u> ROHS <u>COMPLIANT</u>

THIS DRAWING IS A CONTROLLED DOCUMENT.

DIMENSIONS:	TOLERANCES UNLESS OTHERWISE SPECIFIED:
mm	0 PLC ± -
	1 PLC ± -
	2 PLC ± 0.15
	3 PLC ± -
	4 PLC ± -
	ANGLES ± -
MATERIAL	FINISH
SEE TABLE	SEE TABLE

DWN	12NOV03
J.SANDWELL	
CHK	12NOV03
S.PARLOW	
APVD	12NOV03
F.WHEELER-KING	
PRODUCT SPEC	
108-2084	
APPLICATION SPEC	
WEIGHT	0

STE TE Connectivity			
NAME MMCX RIGHT ANGLE PCB MOUNT SOCKET RECEPTACLE 50 OHMS			
SIZE	CAGE CODE	DRAWING NO	RESTRICTED TO
A3	00779	C=1634010	-
CUSTOMER DRAWING		SCALE	SHEET
		NTS	1 of 1
		REV	E2

X-ON Electronics

Largest Supplier of Electrical and Electronic Components

Click to view similar products for [RF Connectors](#) / [Coaxial Connectors](#) category:

Click to view products by [TE Connectivity](#) manufacturer:

Other Similar products are found below :

[8915-1511-000](#) [89674-0827](#) [6001-7071-019](#) [6002-7051-003](#) [6002-7551-202](#) [6059674-1](#) [619550-1](#) [630059-000](#) [M39030/3-01N](#) [6500-7071-046](#) [6769](#) [CX050L2AQ](#) [7002-1541-010](#) [7002-1542-011](#) [7004-1512-000](#) [7009-1511-004](#) [7010-1511-000](#) [7029-1511-060](#) [7101-1541-010](#) [7101-1571-002](#) [7145-1521-002](#) [7203-1571-003](#) [7209-1511-011](#) [7210-1511-015](#) [7210-1511-019](#) [73137-5015](#) [73216-2241](#) [73404-2300](#) [7405-1521-005](#) [7405-1521-802](#) [8527](#) [8547](#) [FS11V](#) [877931](#) [9049-9513-000](#) [9074-9513-000](#) [9101-9573-002](#) [910A205F](#) [9130-9573-002](#) [PL11SC-026](#) [PL375-33](#) [PL40-5](#) [PL74C-221](#) [PL75MC-217](#) [PL803-7](#) [980-8666-005](#) [1200690078](#) [1-201144-1](#) [R107003010W](#) [R110A172100](#)