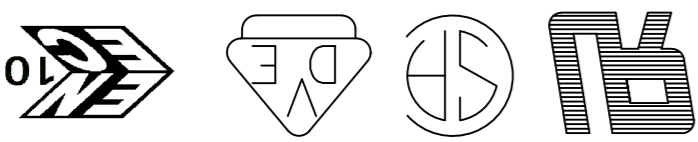


CUSTOMER DRAWING		SCALE 3:1		SHEET 2 of 7		REV E1	
MATERIAL		FINISH		WEIGHT		SIZE	
DIMENSIONS:		TOLERANCES UNLESS OTHERWISE SPECIFIED:		APVD		NAME	
mm		0 PLC ± 1 PLC ± 2 PLC ± 3 PLC ± 4 PLC ±		PRODUCT SPEC		POWER ROCKER SWITCH 19.4MM X 22.2mm	
SA008712		CHK		APVD		DRAWING NO	
2-4-07		DMN		APVD		CAGE CODE	
SA008712		CHK		APVD		DRAWING NO	
TE Connectivity		APVD		APVD		DRAWING NO	
TE		APVD		APVD		DRAWING NO	
TE Connectivity		APVD		APVD		DRAWING NO	

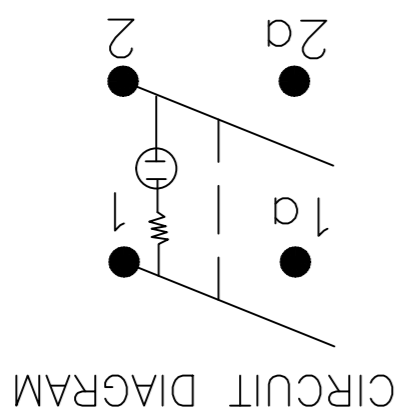
OBSOLETE
 1634200-8 SHOWN ON-OFF ILLUMINATED

TYCO ELECTRONICS LOGO
 PER TEC-202-36

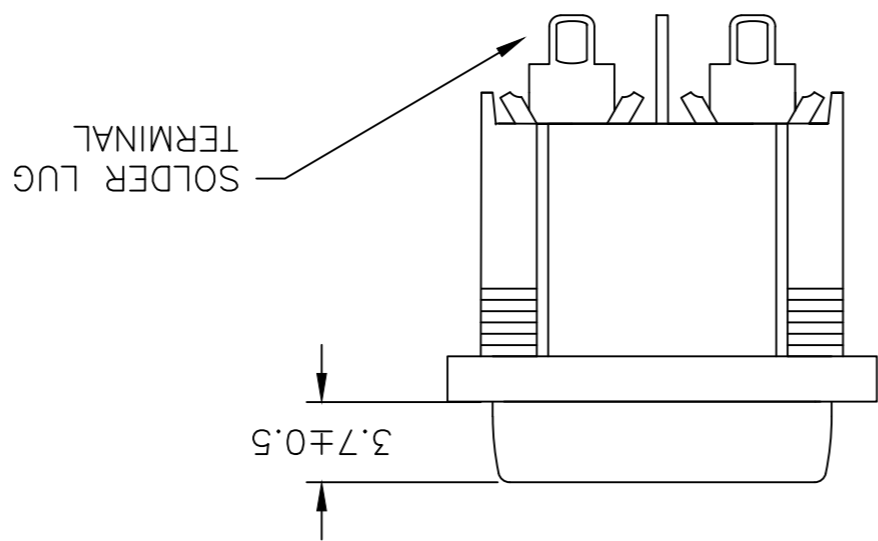
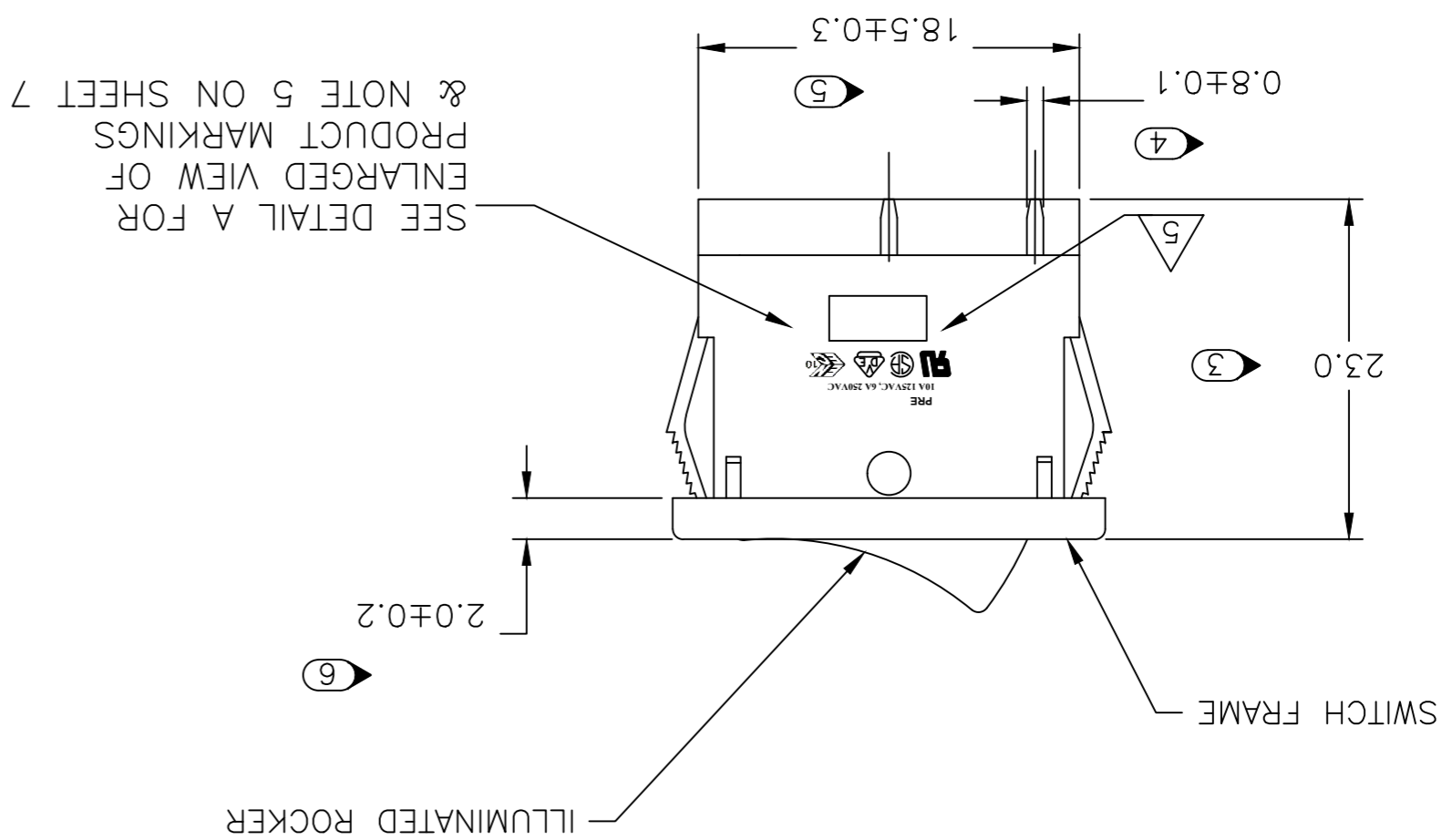
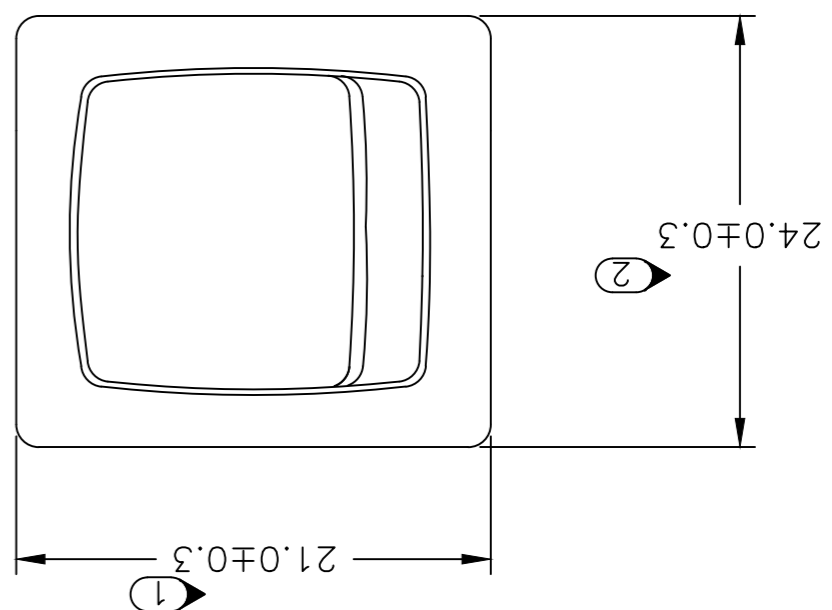
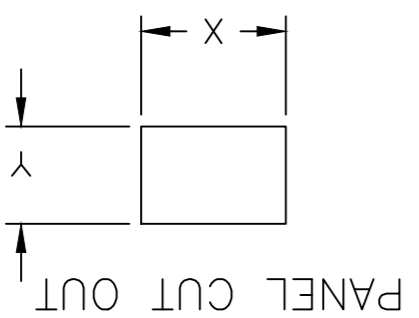


PRE
 10A 125VAC, 6A 250VAC

PRODUCT MARKING
 DETAIL A

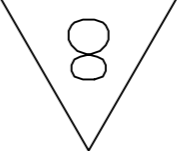


PANEL THICKNESS	X	Y
0.75-1.25	19.40	22.20
1.25-2.00	19.60	22.20
2.00-3.00	20.20	22.20



REVISIONS	P	LTR	DATE	DMN	APVD
SEE SHEET 1	-	-	-	-	-

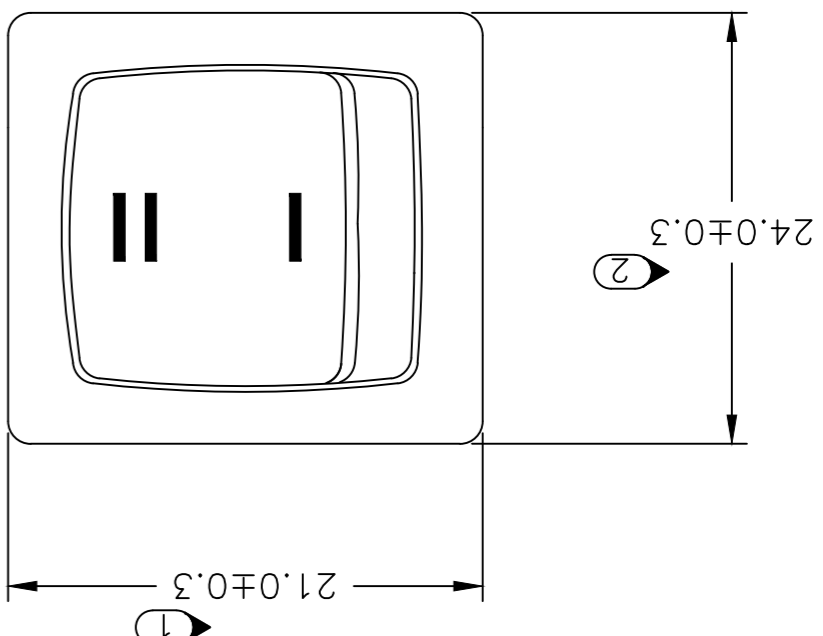
THIS DRAWING IS A CONTROLLED DOCUMENT. DNW SA008712 2-4-07		DIMENSIONS: mm	
TOLERANCES UNLESS OTHERWISE SPECIFIED:		ANGLES: 0 PL ± 1 PL ± 2 PL ± 3 PL ± 4 PL ±	
NAME: POWER ROCKER SWITCH 19,4MM X 22,2mm		FINISH: ± ± ± ±	
PRODUCT SPEC:		WEIGHT:	
APPLICATION SPEC:		SIZE: A2	
APVD:		CAGE CODE: 00779	
DRAWING NO: 1634200		SCALE: 3:1	
RESTRICTED TO:		SHEET: 3 of 7	
REV: E1		CUSTOMER DRAWING	

1-1634200-2 SHOWN ON-ON 

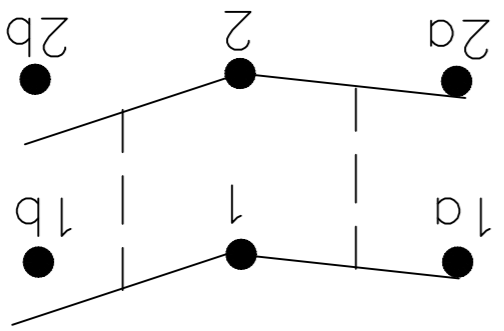
PRE
10A 125VAC, 6A 250VAC



TYCO ELECTRONICS LOGO
 PER TEC-202-36

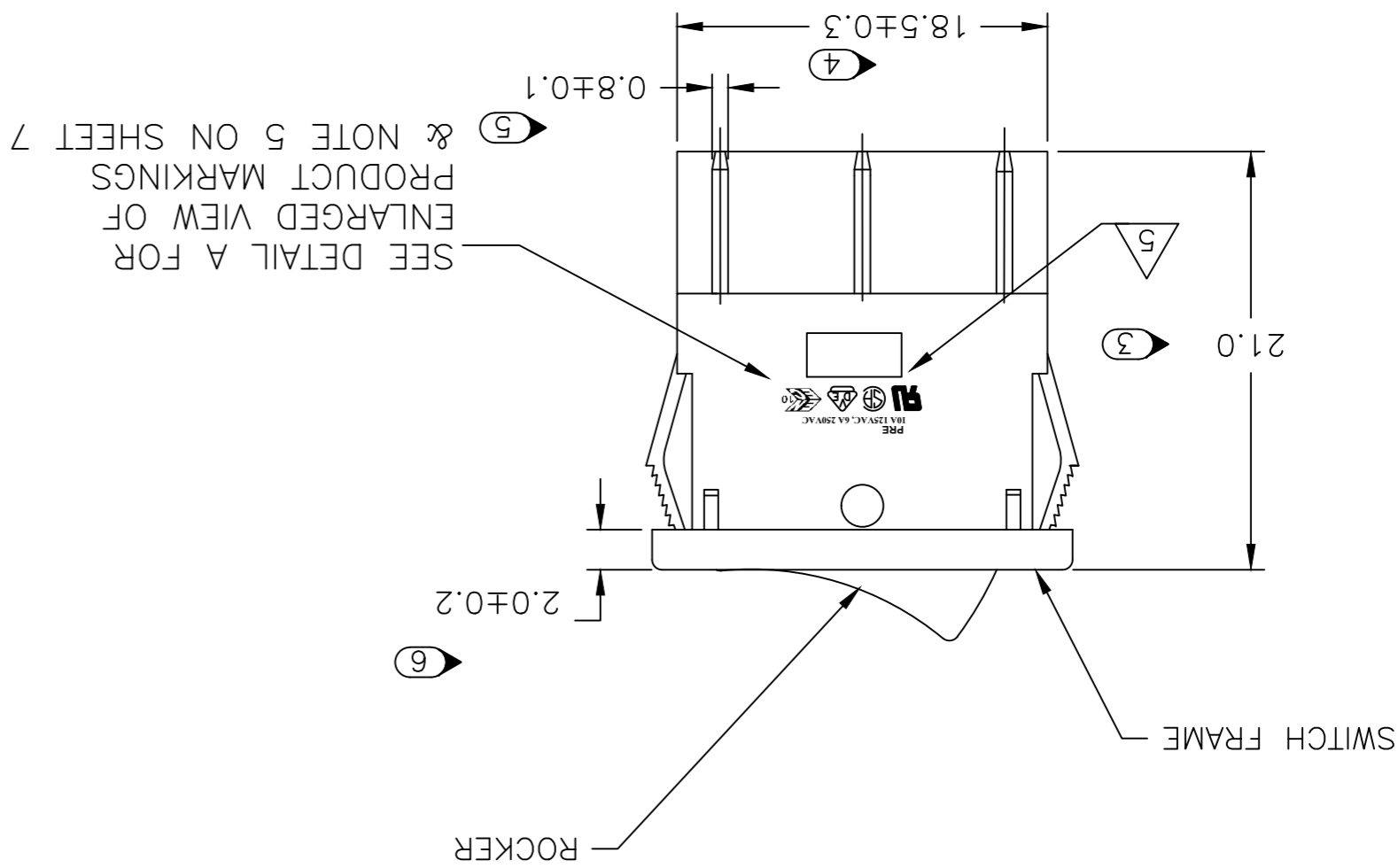
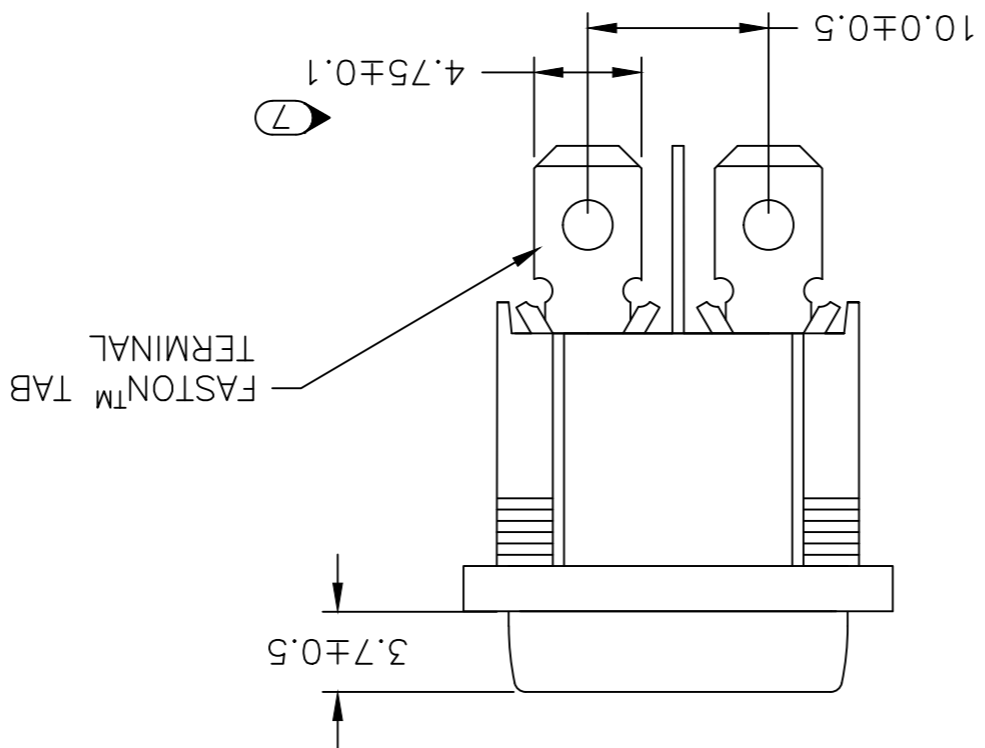
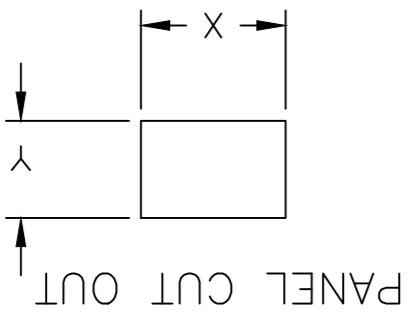


PRODUCT MARKING
DETAIL A



CIRCUIT DIAGRAM

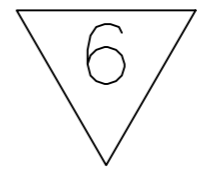
PANEL THICKNESS		
X	Y	
0.75-1.25	19.40	22.20
1.25-2.00	19.60	22.20
2.00-3.00	20.20	22.20



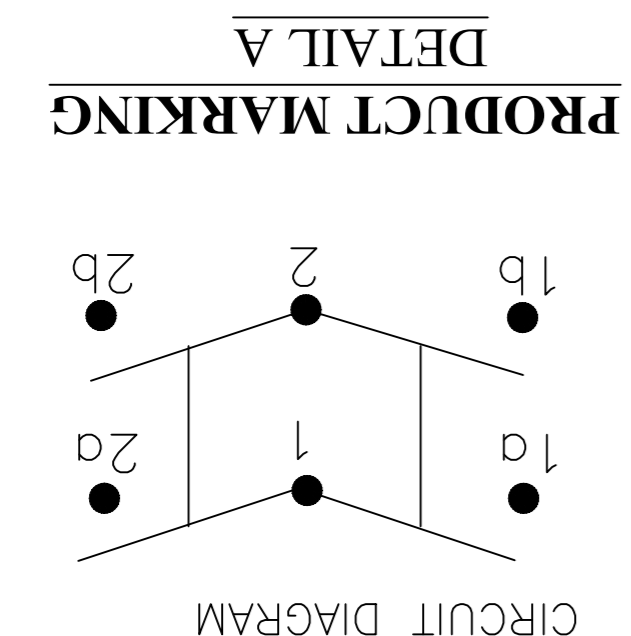
REVISIONS				
P	LTR	DATE	DMN	APVD
-	-	-	-	-
SEE SHEET 1				

THIS DRAWING IS A CONTROLLED DOCUMENT.		SA008712		2-4-07		CHK		-		APVD		-		NAME		POWER ROCKER SWITCH 19.4MM X 22.2mm		PRODUCT SPEC		-		APPLICATION SPEC		-		WEIGHT		-		MATERIAL		-	
TOLERANCES UNLESS OTHERWISE SPECIFIED:		SA008712		2-4-07		CHK		-		APVD		-		NAME		POWER ROCKER SWITCH 19.4MM X 22.2mm		PRODUCT SPEC		-		APPLICATION SPEC		-		WEIGHT		MATERIAL		-			
FINISHES		SA008712		2-4-07		CHK		-		APVD		-		NAME		POWER ROCKER SWITCH 19.4MM X 22.2mm		PRODUCT SPEC		-		APPLICATION SPEC		-		WEIGHT		MATERIAL		-			
0 PLC ±		SA008712		2-4-07		CHK		-		APVD		-		NAME		POWER ROCKER SWITCH 19.4MM X 22.2mm		PRODUCT SPEC		-		APPLICATION SPEC		-		WEIGHT		MATERIAL		-			
1 PLC ±		SA008712		2-4-07		CHK		-		APVD		-		NAME		POWER ROCKER SWITCH 19.4MM X 22.2mm		PRODUCT SPEC		-		APPLICATION SPEC		-		WEIGHT		MATERIAL		-			
2 PLC ±		SA008712		2-4-07		CHK		-		APVD		-		NAME		POWER ROCKER SWITCH 19.4MM X 22.2mm		PRODUCT SPEC		-		APPLICATION SPEC		-		WEIGHT		MATERIAL		-			
3 PLC ±		SA008712		2-4-07		CHK		-		APVD		-		NAME		POWER ROCKER SWITCH 19.4MM X 22.2mm		PRODUCT SPEC		-		APPLICATION SPEC		-		WEIGHT		MATERIAL		-			
4 PLC ±		SA008712		2-4-07		CHK		-		APVD		-		NAME		POWER ROCKER SWITCH 19.4MM X 22.2mm		PRODUCT SPEC		-		APPLICATION SPEC		-		WEIGHT		MATERIAL		-			
CUSTOMER DRAWING		SA008712		2-4-07		CHK		-		APVD		-		NAME		POWER ROCKER SWITCH 19.4MM X 22.2mm		PRODUCT SPEC		-		APPLICATION SPEC		-		WEIGHT		MATERIAL		-			
SCALE		SA008712		2-4-07		CHK		-		APVD		-		NAME		POWER ROCKER SWITCH 19.4MM X 22.2mm		PRODUCT SPEC		-		APPLICATION SPEC		-		WEIGHT		MATERIAL		-			
3:1		SA008712		2-4-07		CHK		-		APVD		-		NAME		POWER ROCKER SWITCH 19.4MM X 22.2mm		PRODUCT SPEC		-		APPLICATION SPEC		-		WEIGHT		MATERIAL		-			
SHEET		SA008712		2-4-07		CHK		-		APVD		-		NAME		POWER ROCKER SWITCH 19.4MM X 22.2mm		PRODUCT SPEC		-		APPLICATION SPEC		-		WEIGHT		MATERIAL		-			
4 of 7		SA008712		2-4-07		CHK		-		APVD		-		NAME		POWER ROCKER SWITCH 19.4MM X 22.2mm		PRODUCT SPEC		-		APPLICATION SPEC		-		WEIGHT		MATERIAL		-			
REV		SA008712		2-4-07		CHK		-		APVD		-		NAME		POWER ROCKER SWITCH 19.4MM X 22.2mm		PRODUCT SPEC		-		APPLICATION SPEC		-		WEIGHT		MATERIAL		-			
E1		SA008712		2-4-07		CHK		-		APVD		-		NAME		POWER ROCKER SWITCH 19.4MM X 22.2mm		PRODUCT SPEC		-		APPLICATION SPEC		-		WEIGHT		MATERIAL		-			

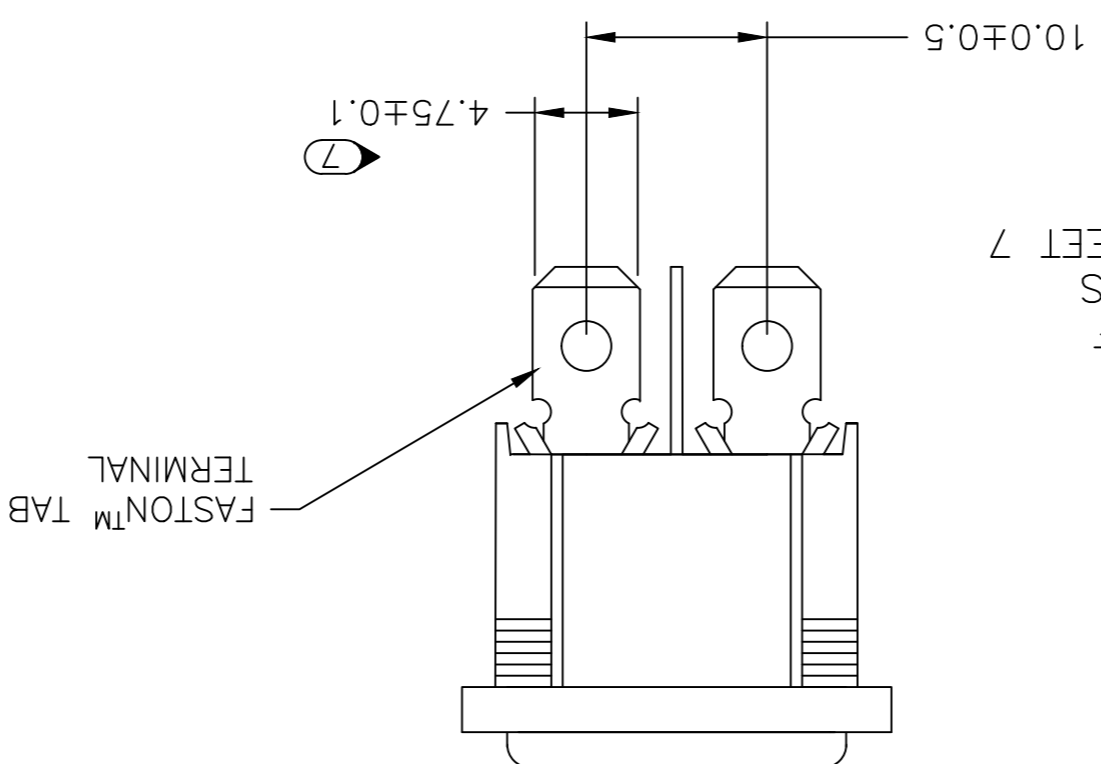
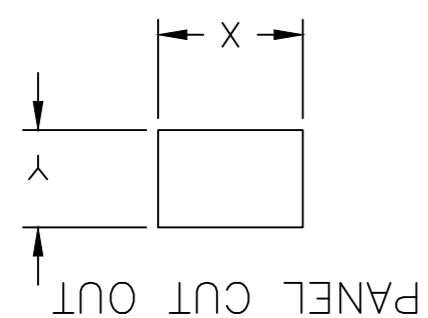
1-1634200-7 SHOWN ON-OFF-ON



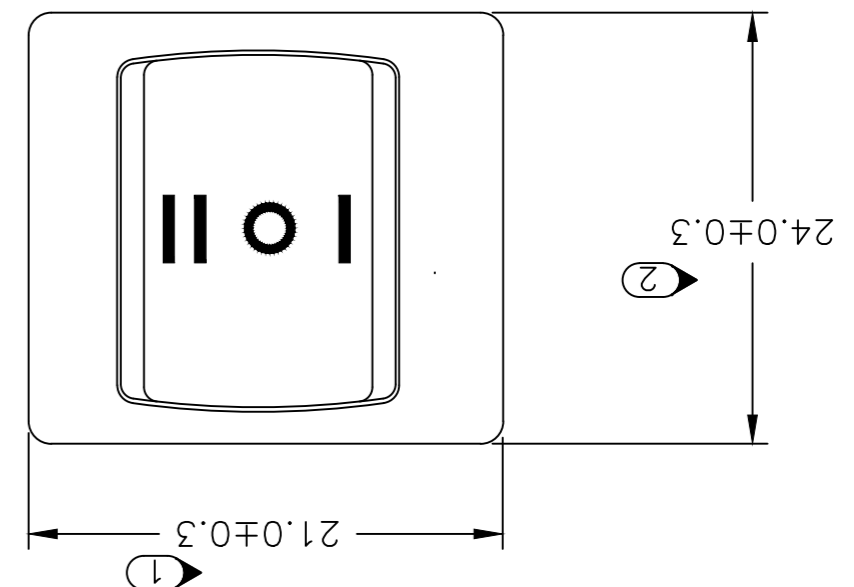
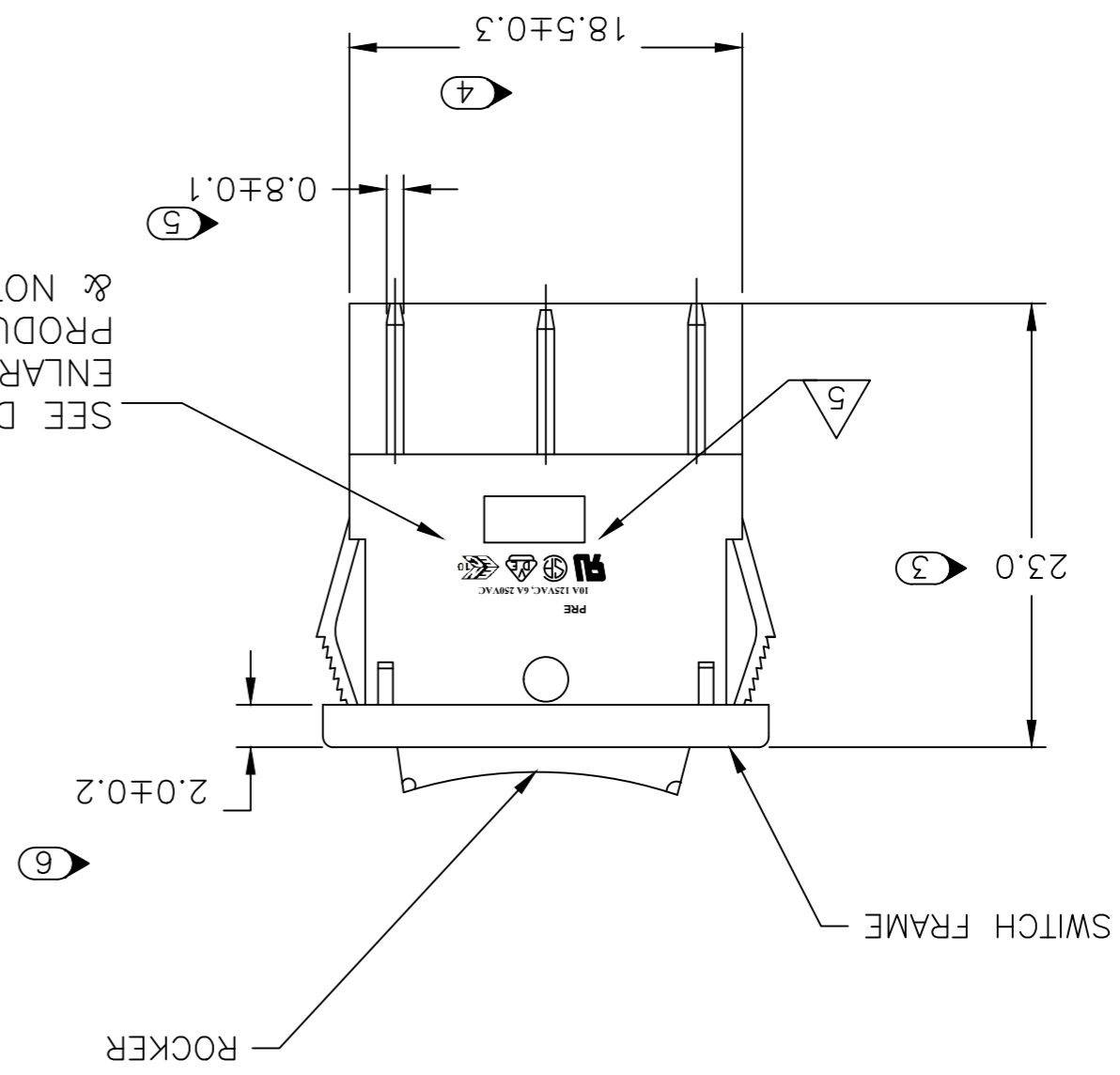
TYCO ELECTRONICS LOGO
 PER TEC-202-36
PRE
 10A 125VAC, 6A 250VAC



PANEL THICKNESS	X	Y
0.75-1.25	19.40	22.20
1.25-2.00	19.60	22.20
2.00-3.00	20.20	22.20



SEE DETAIL A FOR ENLARGED VIEW OF PRODUCT MARKINGS & NOTE 5 ON SHEET 7



REVISIONS	P	LTR	DATE	DMN	APVD
SEE SHEET 1	-	-	-	-	-

A

A

B

B

C

C

D

D

1634200

1

2

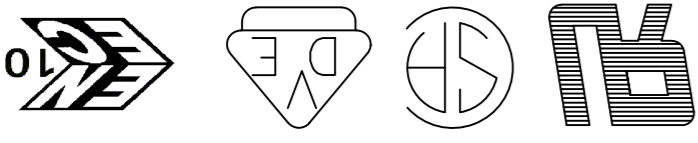
3

4

MATERIAL: -		DIMENSIONS: mm		TOLERANCES UNLESS OTHERWISE SPECIFIED:	
FINISH: 0 PL ±, 1 PL ±, 2 PL ±, 3 PL ±, 4 PL ±		APVD: -		NAME: POWER ROCKER SWITCH 19.4MM X 22.2mm	
WEIGHT: -		PRODUCT SPEC: -		APPLICATION SPEC: -	
SIZE: A2		CAGE CODE: 00779		DRAWING NO: 1634200	
CUSTOMER DRAWING: -		SCALE: 3:1		SHEET: 5 of 7	
REV: E1		DATE: -		APVD: -	

THIS DRAWING IS A CONTROLLED DOCUMENT. DWN SA008712 2-4-07

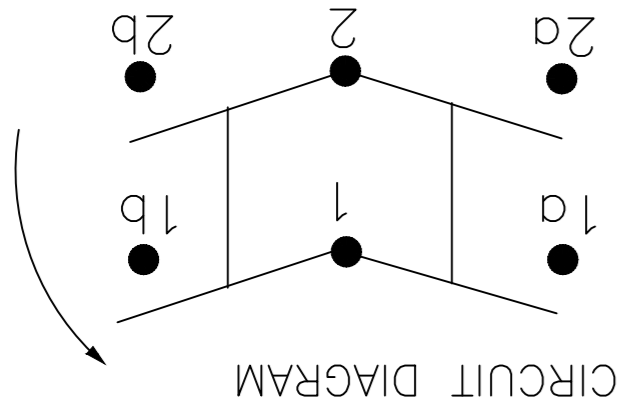
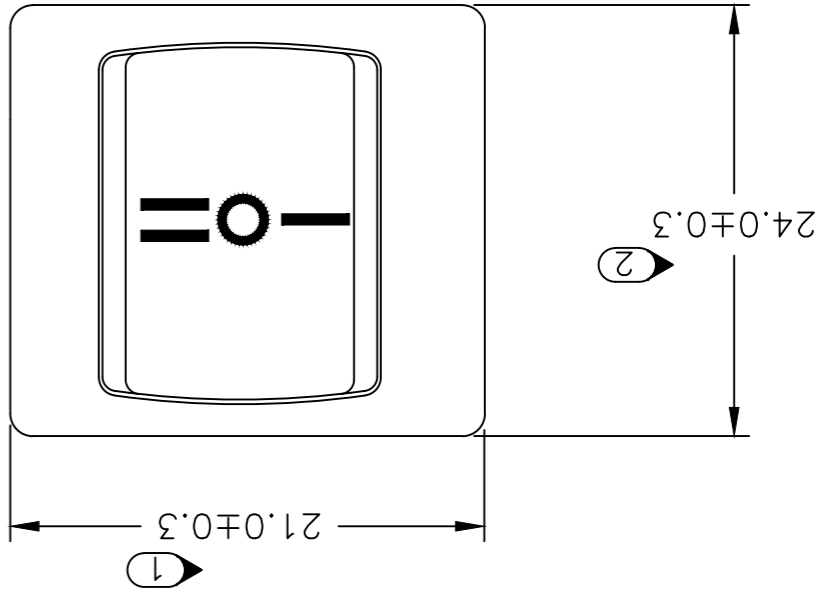
TYCO ELECTRONICS LOGO
PER TEC-202-36



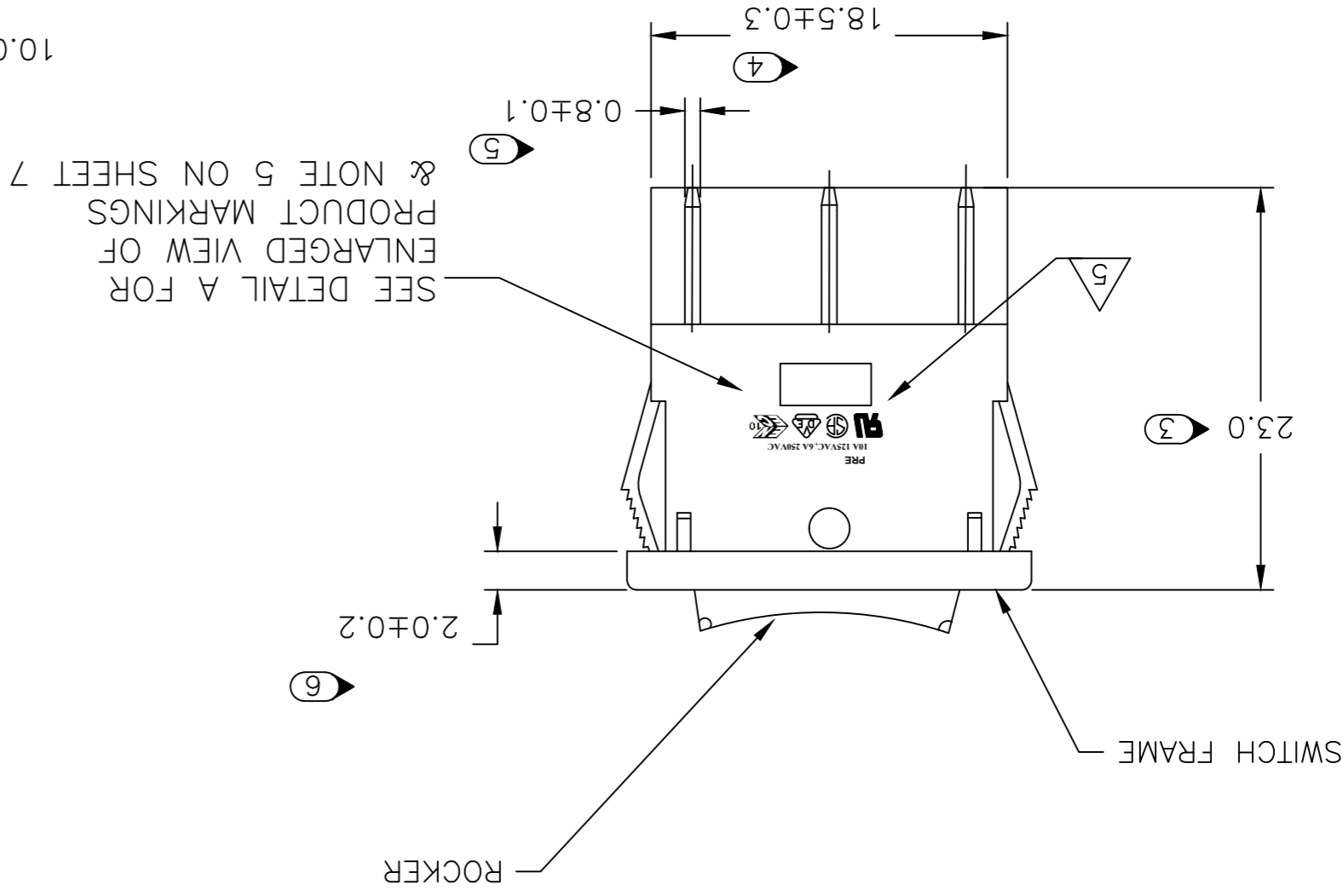
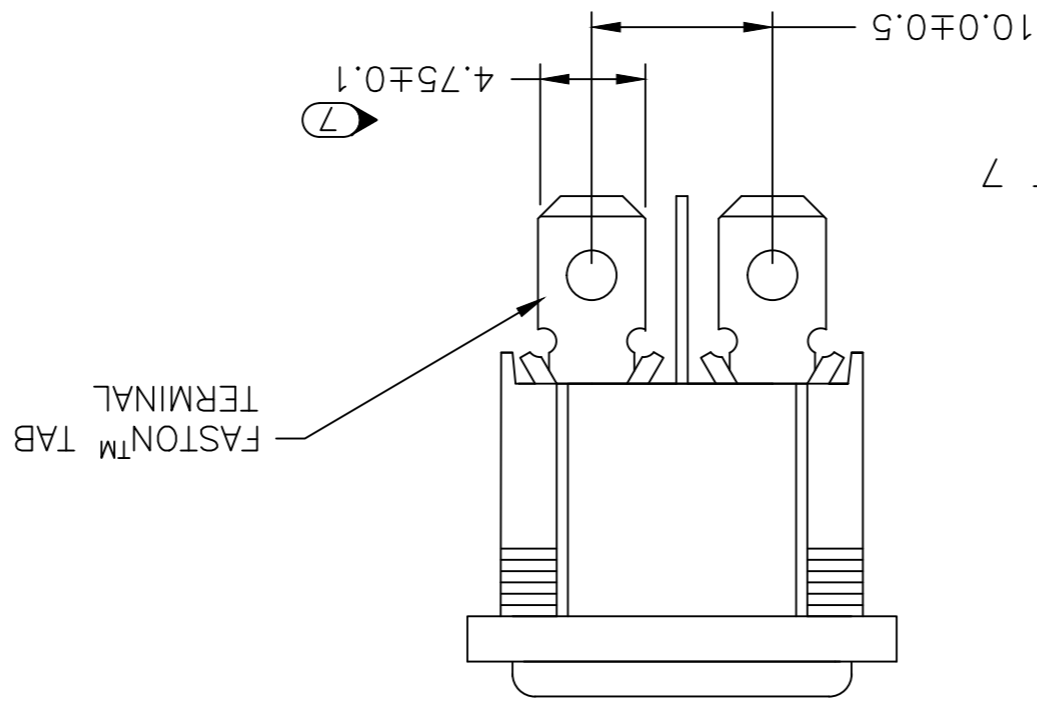
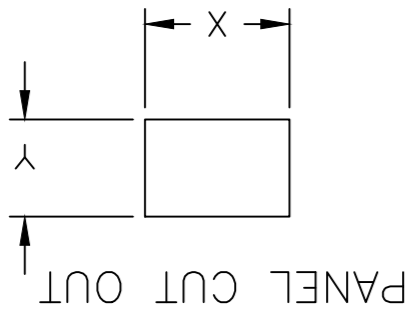
10A 125VAC, 6A 250VAC

PRE

PRODUCT MARKING
DETAIL A



PANEL THICKNESS	X	Y
0.75-1.25	19.40	22.20
1.25-2.00	19.60	22.20
2.00-3.00	20.20	22.20

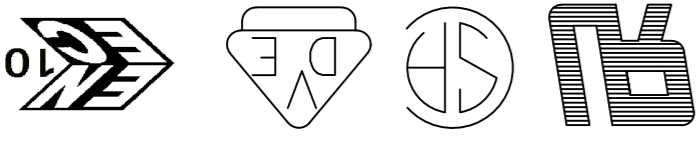


REVISIONS	P	LTR	DATE	APVD
SEE SHEET 1	-	-	-	-

CUSTOMER DRAWING		SCALE 3:1		SHEET 6 of 7		REV E1	
MATERIAL		FINISH		WEIGHT		CUSTOMER DRAWING	
DIMENSIONS: mm		TOLERANCES UNLESS OTHERWISE SPECIFIED:		NAME		APVD	
0 PLC ±		1 PLC ±		PRODUCT SPEC		POWER ROCKER SWITCH 19,4MM X 22,2mm	
1 PLC ±		2 PLC ±		APPLICATION SPEC		PANEL SIZE DPST, NON-ILLUMINATED	
2 PLC ±		3 PLC ±		APPLIC. SPEC		PANEL SIZE DPST, NON-ILLUMINATED	
3 PLC ±		4 PLC ±		APVD		TE Connectivity	
4 PLC ±		5 PLC ±		CHK		SA008712	
5 PLC ±		6 PLC ±		DWN		2-4-07	
6 PLC ±		7 PLC ±		DWN		SA008712	
7 PLC ±		8 PLC ±		CHK		TE Connectivity	
8 PLC ±		9 PLC ±		DWN		SA008712	
9 PLC ±		10 PLC ±		CHK		TE Connectivity	
10 PLC ±		11 PLC ±		DWN		SA008712	
11 PLC ±		12 PLC ±		CHK		TE Connectivity	
12 PLC ±		13 PLC ±		DWN		SA008712	
13 PLC ±		14 PLC ±		CHK		TE Connectivity	
14 PLC ±		15 PLC ±		DWN		SA008712	
15 PLC ±		16 PLC ±		CHK		TE Connectivity	
16 PLC ±		17 PLC ±		DWN		SA008712	
17 PLC ±		18 PLC ±		CHK		TE Connectivity	
18 PLC ±		19 PLC ±		DWN		SA008712	
19 PLC ±		20 PLC ±		CHK		TE Connectivity	
20 PLC ±		21 PLC ±		DWN		SA008712	
21 PLC ±		22 PLC ±		CHK		TE Connectivity	
22 PLC ±		23 PLC ±		DWN		SA008712	
23 PLC ±		24 PLC ±		CHK		TE Connectivity	
24 PLC ±		25 PLC ±		DWN		SA008712	
25 PLC ±		26 PLC ±		CHK		TE Connectivity	
26 PLC ±		27 PLC ±		DWN		SA008712	
27 PLC ±		28 PLC ±		CHK		TE Connectivity	
28 PLC ±		29 PLC ±		DWN		SA008712	
29 PLC ±		30 PLC ±		CHK		TE Connectivity	
30 PLC ±		31 PLC ±		DWN		SA008712	
31 PLC ±		32 PLC ±		CHK		TE Connectivity	
32 PLC ±		33 PLC ±		DWN		SA008712	
33 PLC ±		34 PLC ±		CHK		TE Connectivity	
34 PLC ±		35 PLC ±		DWN		SA008712	
35 PLC ±		36 PLC ±		CHK		TE Connectivity	
36 PLC ±		37 PLC ±		DWN		SA008712	
37 PLC ±		38 PLC ±		CHK		TE Connectivity	
38 PLC ±		39 PLC ±		DWN		SA008712	
39 PLC ±		40 PLC ±		CHK		TE Connectivity	
40 PLC ±		41 PLC ±		DWN		SA008712	
41 PLC ±		42 PLC ±		CHK		TE Connectivity	
42 PLC ±		43 PLC ±		DWN		SA008712	
43 PLC ±		44 PLC ±		CHK		TE Connectivity	
44 PLC ±		45 PLC ±		DWN		SA008712	
45 PLC ±		46 PLC ±		CHK		TE Connectivity	
46 PLC ±		47 PLC ±		DWN		SA008712	
47 PLC ±		48 PLC ±		CHK		TE Connectivity	
48 PLC ±		49 PLC ±		DWN		SA008712	
49 PLC ±		50 PLC ±		CHK		TE Connectivity	
50 PLC ±		51 PLC ±		DWN		SA008712	
51 PLC ±		52 PLC ±		CHK		TE Connectivity	
52 PLC ±		53 PLC ±		DWN		SA008712	
53 PLC ±		54 PLC ±		CHK		TE Connectivity	
54 PLC ±		55 PLC ±		DWN		SA008712	
55 PLC ±		56 PLC ±		CHK		TE Connectivity	
56 PLC ±		57 PLC ±		DWN		SA008712	
57 PLC ±		58 PLC ±		CHK		TE Connectivity	
58 PLC ±		59 PLC ±		DWN		SA008712	
59 PLC ±		60 PLC ±		CHK		TE Connectivity	
60 PLC ±		61 PLC ±		DWN		SA008712	
61 PLC ±		62 PLC ±		CHK		TE Connectivity	
62 PLC ±		63 PLC ±		DWN		SA008712	
63 PLC ±		64 PLC ±		CHK		TE Connectivity	
64 PLC ±		65 PLC ±		DWN		SA008712	
65 PLC ±		66 PLC ±		CHK		TE Connectivity	
66 PLC ±		67 PLC ±		DWN		SA008712	
67 PLC ±		68 PLC ±		CHK		TE Connectivity	
68 PLC ±		69 PLC ±		DWN		SA008712	
69 PLC ±		70 PLC ±		CHK		TE Connectivity	
70 PLC ±		71 PLC ±		DWN		SA008712	
71 PLC ±		72 PLC ±		CHK		TE Connectivity	
72 PLC ±		73 PLC ±		DWN		SA008712	
73 PLC ±		74 PLC ±		CHK		TE Connectivity	
74 PLC ±		75 PLC ±		DWN		SA008712	
75 PLC ±		76 PLC ±		CHK		TE Connectivity	
76 PLC ±		77 PLC ±		DWN		SA008712	
77 PLC ±		78 PLC ±		CHK		TE Connectivity	
78 PLC ±		79 PLC ±		DWN		SA008712	
79 PLC ±		80 PLC ±		CHK		TE Connectivity	
80 PLC ±		81 PLC ±		DWN		SA008712	
81 PLC ±		82 PLC ±		CHK		TE Connectivity	
82 PLC ±		83 PLC ±		DWN		SA008712	
83 PLC ±		84 PLC ±		CHK		TE Connectivity	
84 PLC ±		85 PLC ±		DWN		SA008712	
85 PLC ±		86 PLC ±		CHK		TE Connectivity	
86 PLC ±		87 PLC ±		DWN		SA008712	
87 PLC ±		88 PLC ±		CHK		TE Connectivity	
88 PLC ±		89 PLC ±		DWN		SA008712	
89 PLC ±		90 PLC ±		CHK		TE Connectivity	
90 PLC ±		91 PLC ±		DWN		SA008712	
91 PLC ±		92 PLC ±		CHK		TE Connectivity	
92 PLC ±		93 PLC ±		DWN		SA008712	
93 PLC ±		94 PLC ±		CHK		TE Connectivity	
94 PLC ±		95 PLC ±		DWN		SA008712	
95 PLC ±		96 PLC ±		CHK		TE Connectivity	
96 PLC ±		97 PLC ±		DWN		SA008712	
97 PLC ±		98 PLC ±		CHK		TE Connectivity	
98 PLC ±		99 PLC ±		DWN		SA008712	
99 PLC ±		100 PLC ±		CHK		TE Connectivity	

2-1634200-6 SHOWN (ON)-OFF-(ON)

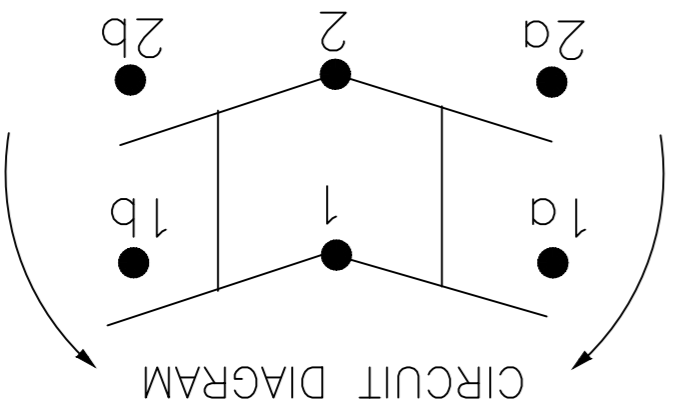
TYCO ELECTRONICS LOGO PER TEC-202-36



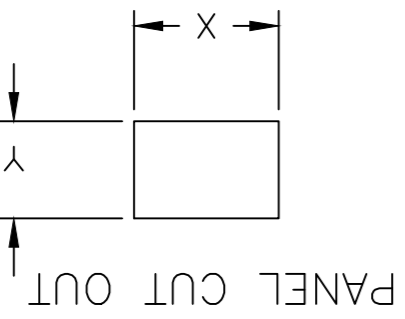
10A 125VAC, 6A 250VAC

PRE

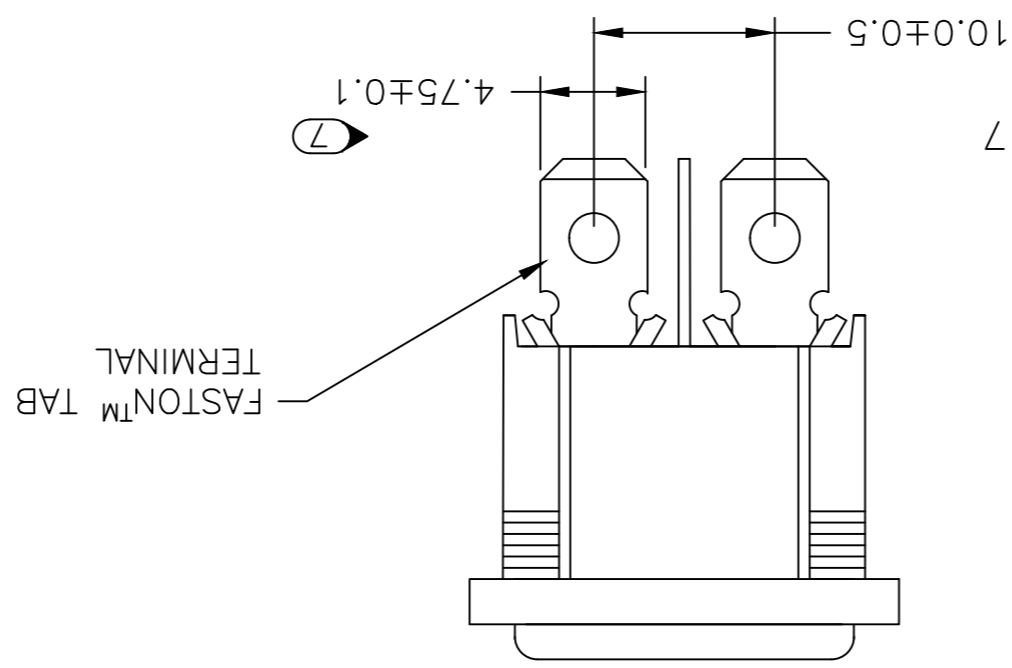
PRODUCT MARKING
DETAIL A



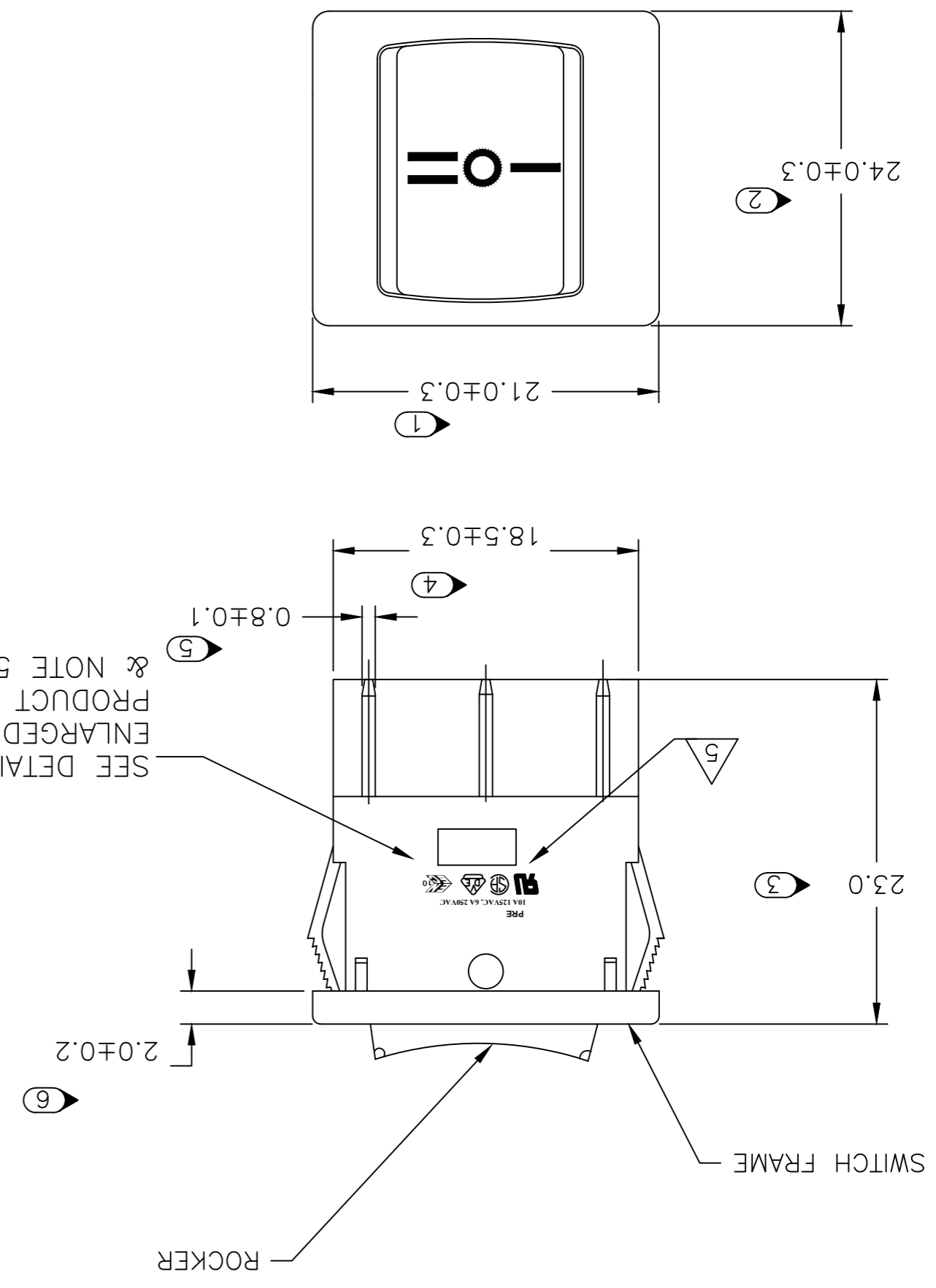
PANEL THICKNESS	X	Y
0.75-1.25	19.40	22.20
1.25-2.00	19.60	22.20
2.00-3.00	20.20	22.20



PANEL CUT OUT



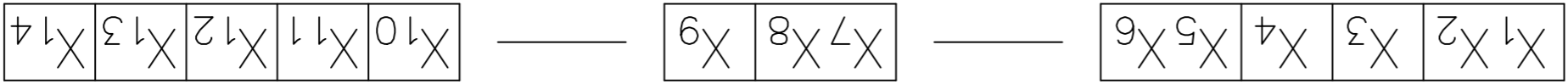
SEE DETAIL A FOR ENLARGED VIEW OF PRODUCT MARKINGS & NOTE 5 ON SHEET 7



REVISIONS	P	LTR	DATE	DWN	APVD
SEE SHEET 1	-	-	-	-	-

REVISIONS		
P	LTR	DATE
DESCRIPTION		DATE
SEE SHEET 1		DATE
		DATE

ALCOSWITCH PART NUMBER

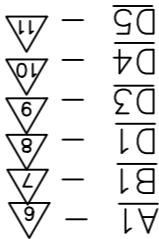


SWITCH TYPE: X1X2 = PR - POWER ROCKER

NOMINAL PANEL CUT OUT SIZE: X3 = E - 19.4X22.2 [.764X.874]

NUMBER OF POLES: X4 = D - DOUBLE

SWITCH FUNCTION: X5X6 = A1 -



CURRENT RATING: X7X8 = 0Z -

TERMINAL TYPE: X9 = E - FASTON™ TAB

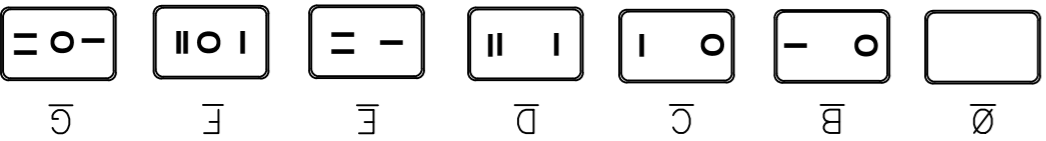
FRAME COLOR: X10 = B - BLACK

ROCKER COLOR: X11 = B - BLACK
 G - GREEN
 R - RED
 W - WHITE

LEGEND TEXT COLOR: X14 = Ø - NOT APPLICABLE

G - GREEN
 R - RED
 B - BLACK
 W - WHITE

LEGEND TEXT PATTERN: X13 =



1 MATERIALS: HOUSING FRAME: NYLON 66.
 ACTUATOR: NYLON 66/PC(ILLUMINATED)
 TERMINALS C1100R-1/2H WITH SILVER PLATED CONTACTS
 AGALLOY

2 FINISH: TERMINAL, ACTIVE CONTACTOR: 1.0µm [.000039] SILVER
 PLUNGER: 3.0µm [.000118] NICKEL

3 ELECTRICAL SPECIFICATIONS:

CONTACT RESISTANCE : 50m ohm Max
 DIELECTRIC STRENGTH : AC 1500V, 1 MINUTE
 OPERATION TEMPERATURE: -20°C~85°C
 INSULATION R: DC 500V 100M ohm MIN

4 CURRENT AND VOLTAGE 10A@125VAC/6A@250VAC

5 ELECTRICAL RATINGS, APPROVED AGENCY LOGOS, AND PART NUMBER CAN APPEAR ON EITHER SIDE (FOR FULL DETAIL SEE INDIVIDUAL DRAWING)

6 ON-OFF, WITH OPAQUE, SINGLE-COLOR ROCKER BUTTON.

7 ON-OFF, WITH TRANSPARENT, LAMP-ILLUMINATED ROCKER BUTTON.

8 ON-ON, WITH OPAQUE, SINGLE-COLOR ROCKER BUTTON.

9 ON-OFF-ON, WITH OPAQUE, SINGLE-COLOR ROCKER BUTTON.

10 ON-OFF-(ON), WITH OPAQUE, SINGLE-COLOR ROCKER BUTTON.

12 REFER TO QIP DIMENSIONAL REPORT

13 2002/95/EC/(RoHS) COMPLIANT

14 COMPONENT RECOGNIZED TO EUROPEAN STANDARDS (ENEC, PENDING VDE). MARKS LICENSE No. 40006757

MATERIAL		DIMENSIONS:	
FINISH:		TOLERANCES UNLESS OTHERWISE SPECIFIED:	
APVD		CHK	
NAME		DWN	
PRODUCT SPEC		SA008712	
APPLICATION SPEC		2-4-07	
APPICATION SPEC		TE Connectivity	
WEIGHT		A2	
SIZE		00779	
CAGE CODE		1634200	
DRAWING NO		1634200	
RESTRICTED TO		-	
CUSTOMER DRAWING			
SCALE 3:1			
SHEET 7 of 7			
REV E1			

SHEET REF	ALCOSWITCH PART NUM BER.	TE PART NUM BER.
1	PRDA1-07F-BB00	1634200-1
1	PRDA1-07F-BB0W	1634200-2
1	PRDA1-07F-BB0C	1634200-3
1	PRDA1-07L-BB00	1634200-4
1	PRDA1-07L-BB0W	1634200-5
1	PRDA1-07L-BB0C	1634200-6
2	PRDB1-07F-BR00	1634200-7
2	PRDB1-07L-BR00	1634200-8
2	PRDB1-07F-BG00	1634200-9
2	PRDB1-07L-BG00	1634200-0
3	PRDD1-07F-BB0W	1634200-2
3	PRDD1-07L-BB00	1634200-3
3	PRDD1-07L-BB0W	1634200-4
3	PRDD1-07L-BB0D	1634200-5
3	PRDD1-07L-BB0E	1634200-6
4	PRDD3-07F-BB0W	1634200-7
4	PRDD3-07L-BB0W	1634200-8
4	PRDD3-07L-BB0F	1634200-9
4	PRDD3-07L-BB0G	2-1634200-0
4	PRDD4-07F-BB00	2-1634200-1
5	PRDD4-07F-BB0F	2-1634200-2
5	PRDD4-07F-BB0G	2-1634200-3
6	PRDD5-07F-BB00	2-1634200-4
6	PRDD5-07F-BB0F	2-1634200-5
6	PRDD5-07F-BB0G	2-1634200-6

A

A

B

B

C

C

D

D

1

2

3

4

1634200

X-ON Electronics

Largest Supplier of Electrical and Electronic Components

Click to view similar products for [Rocker Switches](#) category:

Click to view products by [TE Connectivity](#) manufacturer:

Other Similar products are found below :

[VKD2GHNB-00000-000](#) [VSD2GNNB-00000-000](#) [6-1571986-5](#) [6-1571986-9](#) [7036WWCDBX653+U622](#) [8055K52Z7V](#) [8138K20E6M50](#)
[FMC18A2200002](#) [84206L](#) [84312LX](#) [PREDD4-07F-BB0FW](#) [PREDD5-07F-BB0GW](#) [PRFDD1-16F-BB000](#) [PRFDD3-16F-BB000](#) [1-](#)
[1634201-0](#) [999-16702-001](#) [A101J2ZQ004](#) [A101J4ZQ004](#) [A101J51CB0004](#) [A107J51ZQ0004](#) [A201J1AQ004](#) [A201J1AV2Q004](#)
[A201J3ZB004](#) [A201J50ZQ004](#) [A203J51ZQ0004](#) [A226L11YZQ](#) [A22L11A](#) [A435S1YZQ](#) [H8500XBBBBL-A](#) [H8653VBBG2577W](#)
[HB130CHNWWNAAC](#) [1251.0303](#) [AE205J60V3B004](#) [RH110C2NBB](#) [1352.0107](#) [1363.0201](#) [AML25GBF2AA03GR](#) [1571099-3](#) [1571987-4](#)
[1571987-5](#) [1571989-7](#) [B123J77V7B2](#) [B226J50W4Q22P](#) [B433J37ZQ22M](#) [160212E](#) [1801.1164](#) [1831.1102](#) [1833.3402](#) [1837.1118](#) [1838.8302](#)