

THIS DRAWING IS UNPUBLISHED.

RELEASED FOR PUBLICATION APR ,2003.

LOC GP DIST 00

REVISIONS

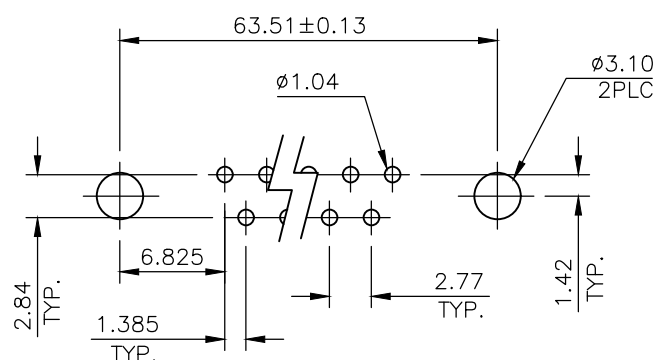
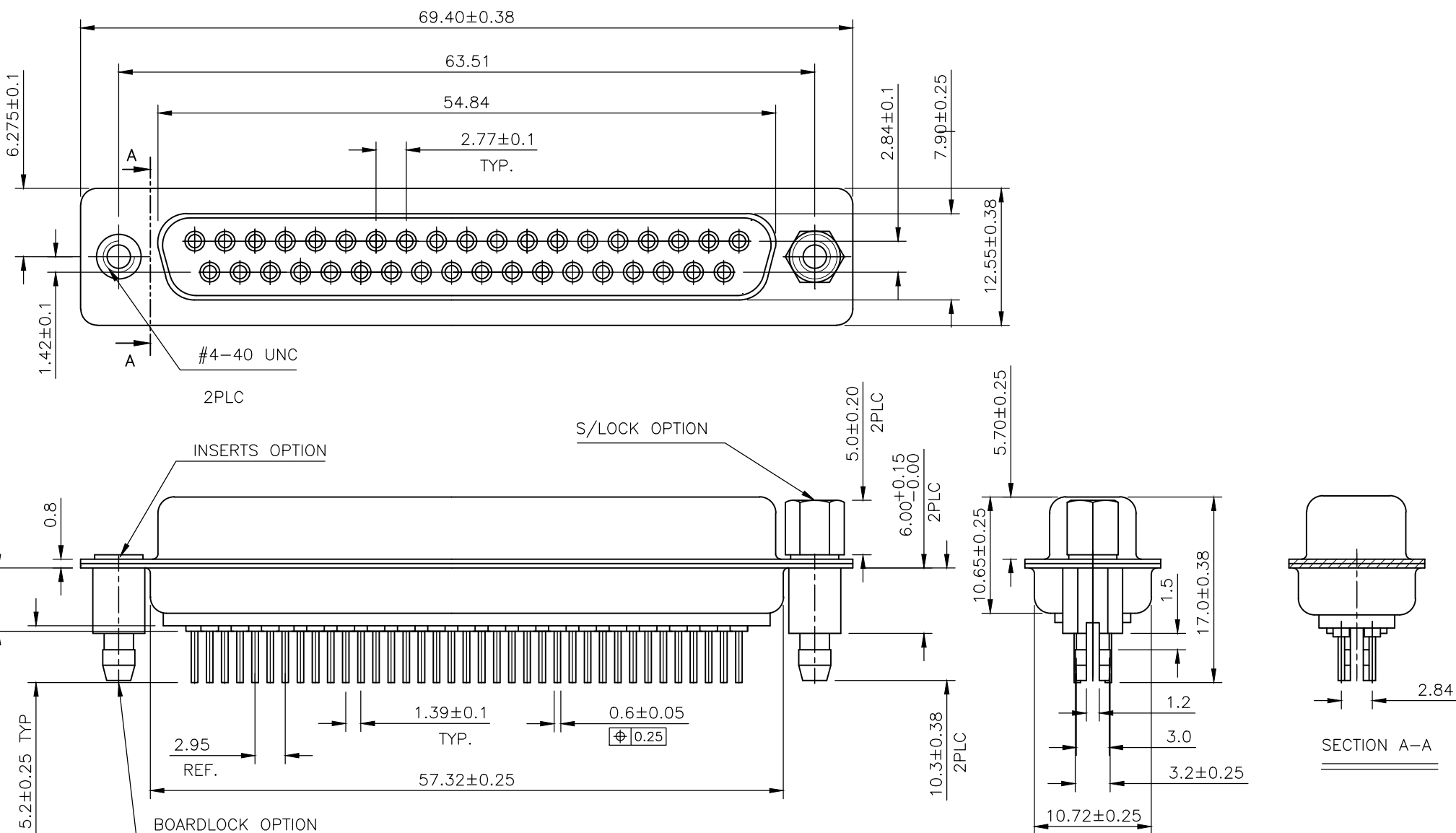
© COPYRIGHT 2003 By -

ALL RIGHTS RESERVED.

P	LTR	DESCRIPTION	DATE	DWN	APVD
L		REVISED PER ECO-17-012925	21FEB2018	AP	DG

- 1 MATERIAL  
HOUSING : THERMOPLASTIC, UL94V-0, BLACK  
CONTACTS : PHOSPHOR BRONZE  
SHELL : STEEL  
SCREW : BRASS.  
BOARD LOCK : BRASS.  
SCREW OF TORQUE : 5 Kg-cm MAX.
- 2 FINISH  
CONTACT : 15µ" MIN.GOLD PLATING ON CONTACT AREA  
100µ" MIN. TIN PLATING ON SOLDER TAILS  
50µ" MIN. NICKEL UNDERPLATED OVERALL  
SHELL : 100µ" MIN NICKEL PLATING  
SCREW : 50µ" MIN. NICKEL PLATING.  
BOARD LOCK : 50µ" MIN. NICKEL PLATING.
- 3 CHARACTERISTICS  
CURRENT RATING : 3A  
INSULATION RESISTANCE : 1000MOHMS MIN, 500VDC FOR 2MINS.  
TEMPERATURE RATING : -55DEGC ~ +105DEGC  
VOLTAGE RATING : 250VDC

4 OBSOLETE PARTS: OBSOLETE CIS STREAMLINING PER D.RENAUD/D.SINISI.



RECOMMENDED PCB LAYOUT(TOP VIEW)  
(PCBTOLERANCE : ±0.05)

4 OBSOLETE	37W D SKT WITH B/L & M3 S/LOCK 15µ" GOLD	4-1634225-2
SUPERSEDED BY 2301842-1		
4 OBSOLETE	37W D SKT WITH B/L & 4-40 S/LOCK 15µ" GOLD	3-1634225-2
4 OBSOLETE	37W D SKT WITH B/L & M3 INSERTS 15µ" GOLD	2-1634225-2
4 OBSOLETE	37W D SKT WITH B/L & 4-40 INSERTS 15µ" GOLD	1-1634225-2
	DESCRIPTION	TE PART NO.

THIS DRAWING IS A CONTROLLED DOCUMENT.		DWN J.SANDWELL 10APR03	<b>STE</b> TE Connectivity	
DIMENSIONS: mm		CHK R.DYER 10APR03		
TOLERANCES UNLESS OTHERWISE SPECIFIED:		APVD F.WHEELER-KING 10APR03	NAME D-SUB HD20, VERTICAL, 37P SKT CONNECTOR	
0 PLC ± -		PRODUCT SPEC -	SIZE	
1 PLC ± 0.25		APPLICATION SPEC -	CAGE CODE	DRAWING NO
2 PLC ± 0.15		WEIGHT	A300779	C-1634225
3 PLC ± -		CUSTOMER DRAWING	SCALE 2:1	SHEET 1 OF 2
4 PLC ± -			RESTRICTED TO	REV L
ANGLES ± -				
FINISH -				

THIS DRAWING IS UNPUBLISHED.

RELEASED FOR PUBLICATION APR , 2003.

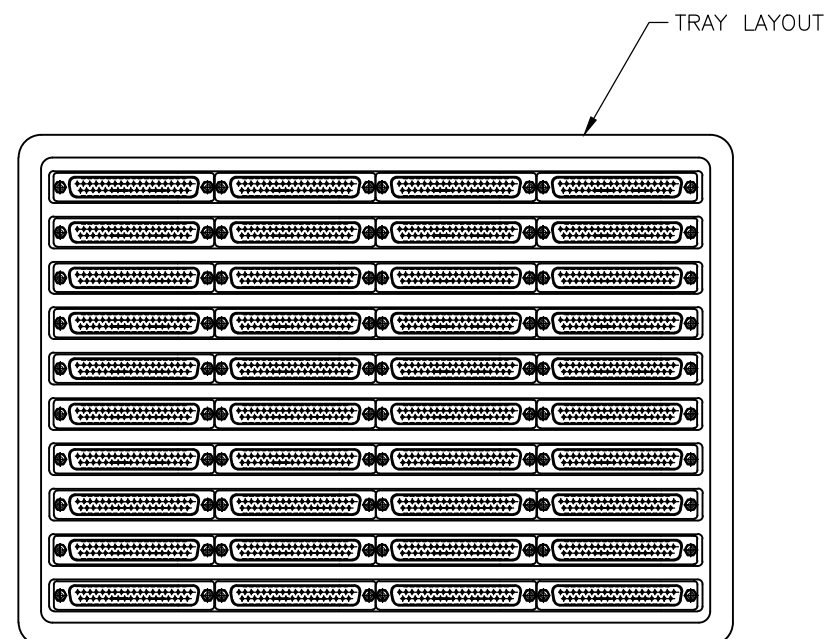
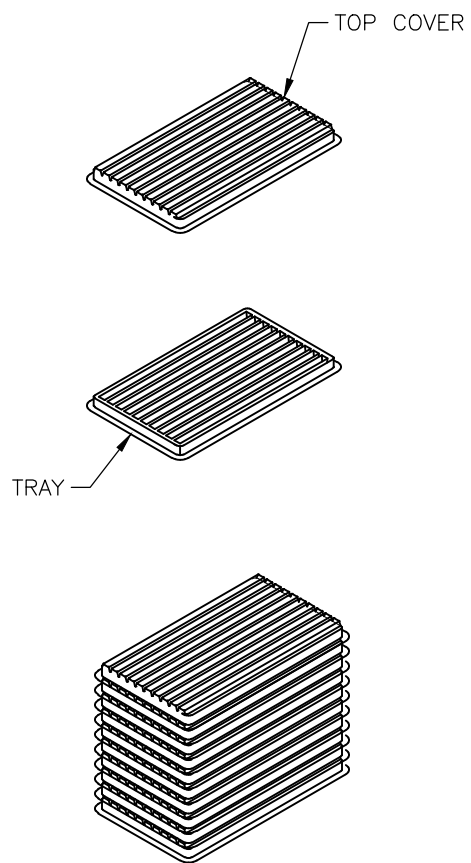
© COPYRIGHT 2003 By -

ALL RIGHTS RESERVED.

LOC GP DIST 00

REVISIONS

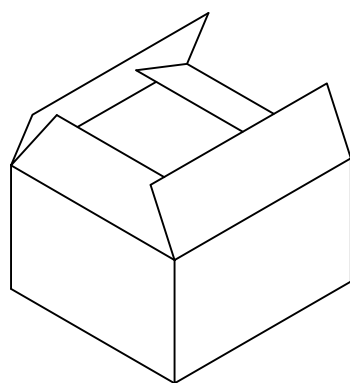
P	LTR	DESCRIPTION	DATE	DWN	APVD
-	-	SEE SHEET 1	-	-	-




MATERIAL  
 1 TRAY: PVC  
 2 SHIPPING CARTON: CORRUGATED FIBERBOARD

DIMENSIONS  
 1 TRAY: L=310, W=230, H=21  
 2 SHIPPING CARTON: L=330, W=245, H=160

QUANTITY  
 40 PCS/TRAY  
 10 TRAY/SHIPPING CARTON



THIS DRAWING IS A CONTROLLED DOCUMENT.		DWN J.SANDWELL 10APR03	 TE Connectivity		
DIMENSIONS: mm		CHK R.DYER 10APR03			
TOLERANCES UNLESS OTHERWISE SPECIFIED:		APVD F.WHEELER-KING 10APR03	NAME D-SUB HD20, VERTICAL, 37P SKT CONNECTOR		
0 PLC ± -		PRODUCT SPEC -	SIZE A3		
1 PLC ± 0.25		APPLICATION SPEC -	CAGE CODE 00779	DRAWING NO C-1634225	RESTRICTED TO -
2 PLC ± 0.15		WEIGHT -	SCALE 2:1 SHEET 2 OF 2 REV L		
3 PLC ± -		CUSTOMER DRAWING			
4 PLC ± -					
ANGLES ± -					
FINISH -					

## X-ON Electronics

Largest Supplier of Electrical and Electronic Components

*Click to view similar products for [D-Sub Standard Connectors](#) category:*

*Click to view products by [TE Connectivity](#) manufacturer:*

Other Similar products are found below :

[DCM37S732N](#) [DAM15P500](#) [DEV09S364GTLF](#) [DEM09P032N](#) [DDM50P732N](#) [DAM15S332N](#) [173109-2218](#) [173109-2466](#) [173109-2469](#)  
[173109-2435](#) [56F706-005-LI](#) [56F711-015](#) [015-0341-000](#) [017041-0005](#) [012-9507-114](#) [012-9534-001](#) [609-25P](#) [M24308/2-23Z](#) [M243082310F](#)  
[M24308/2-36Z](#) [M243082411F](#) [M24308315F](#) [M24308/4-21](#) [M243084437F](#) [CT0M22-23SS](#) [CT1N36-5SC](#) [CT2-16S-17PS](#) [CT2-20-15PCAU](#)  
[CT2-24-12PS](#) [CT2-24-28PSF127A206](#) [CT6F9767-14-4-14S-5PC](#) [CT7-18-10SC](#) [CT7-18-10SCAU](#) [CT7-18-12SCAU](#) [CT7-18-1PC](#) [CT7-18-](#)  
[1PCAU](#) [CT7-18-1SC](#) [CT7-18-21SCAU](#) [CT9-16-12PS](#) [M83513/01-FC](#) [M83723/76W24619 L/C](#) [M85049/48-3-2F](#) [69001-865](#)  
[6STD09PCM99B70X](#) [6STD09SCM99B30X](#) [6STD09SCT99S40X](#) [6STD15PCT99S40X](#) [6STD15SCM99B30X](#) [6STD15SCT99S40X](#)  
[6STF09PCM05B70X](#)