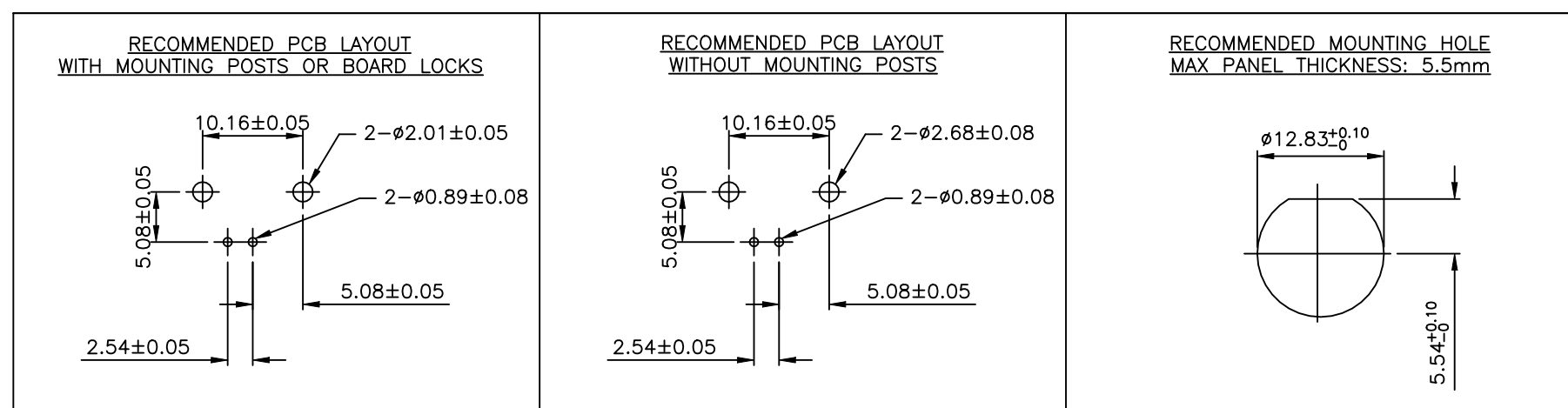
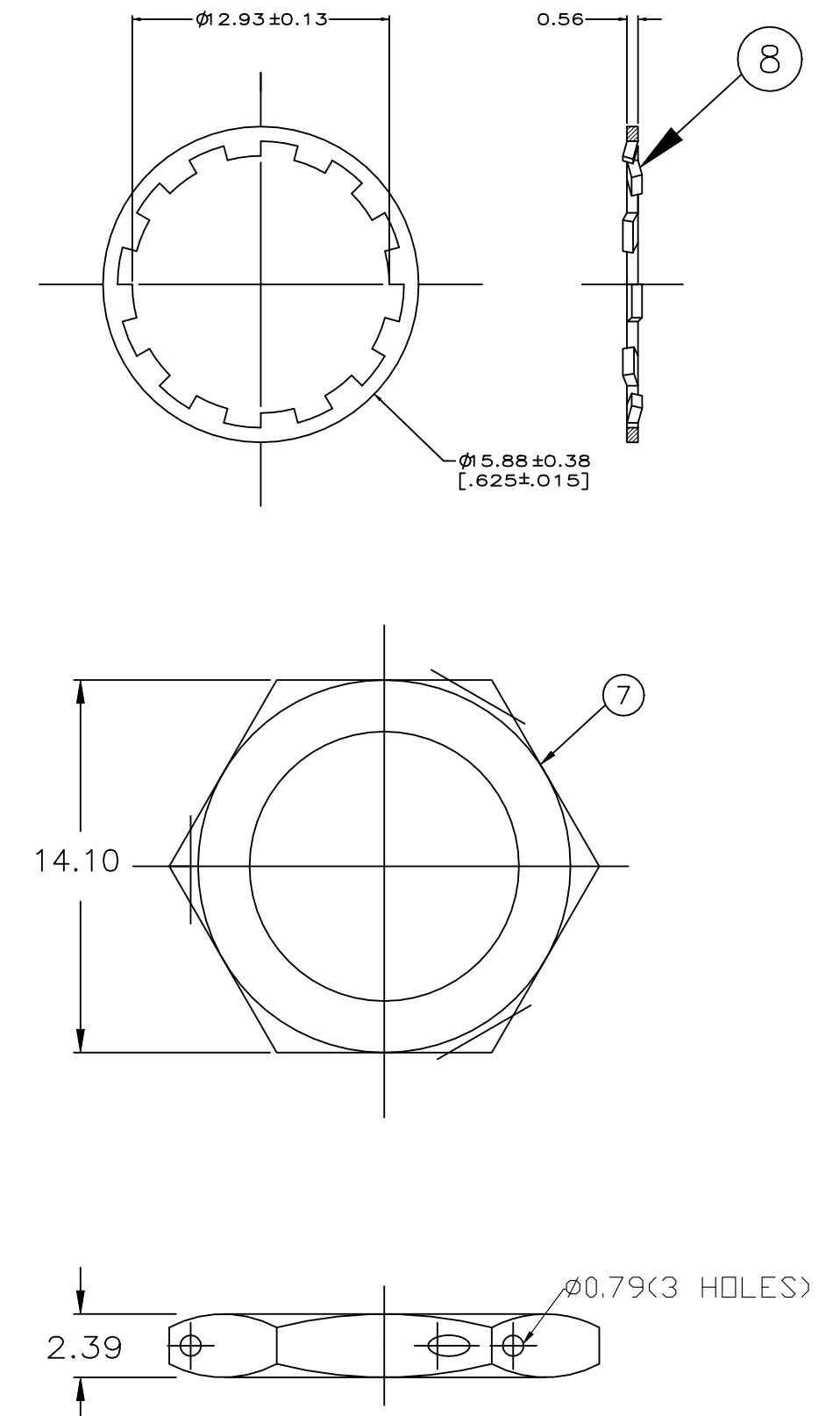
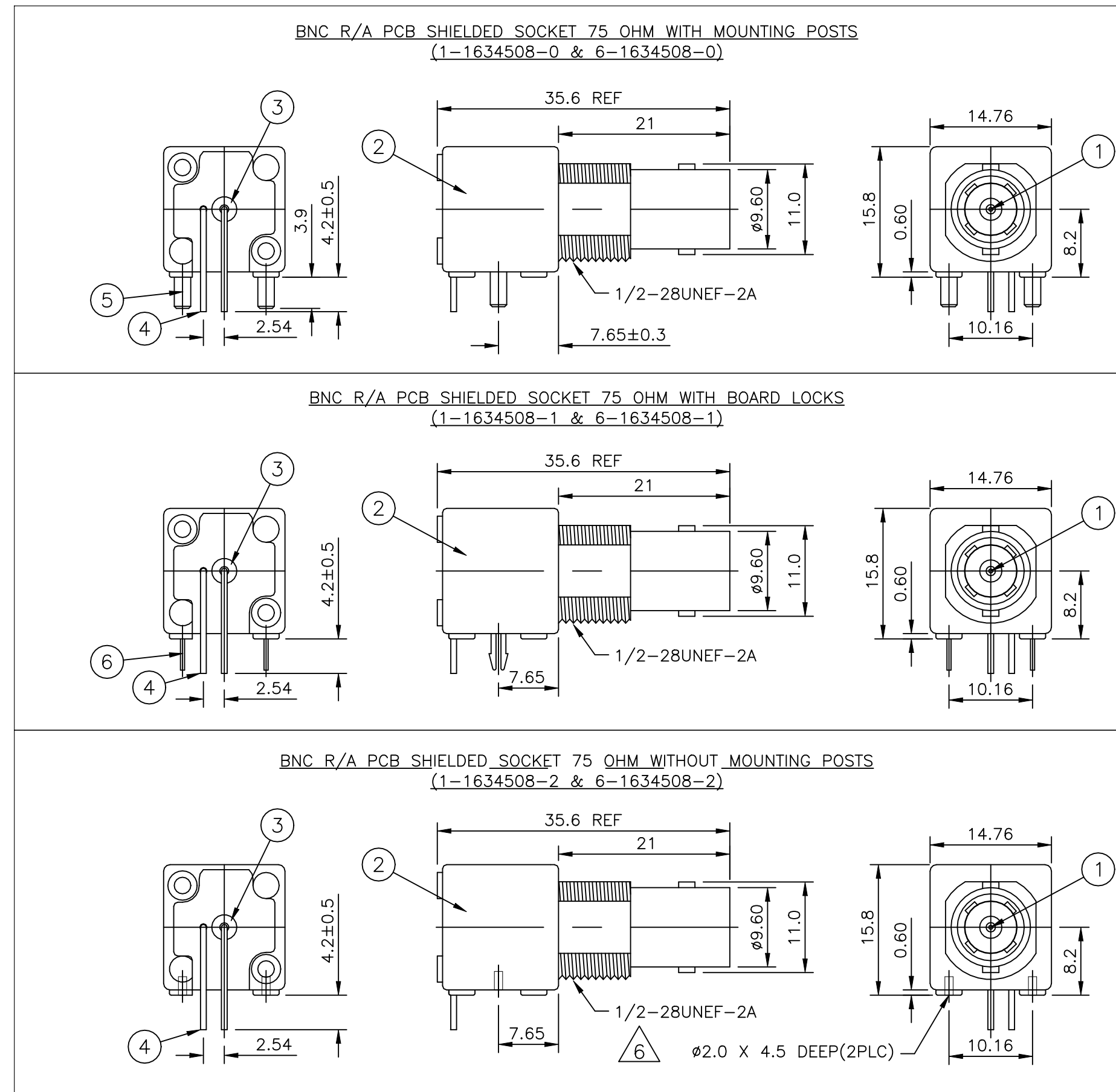


| REVISIONS | | | | | |
|-----------|-----|---------------------------|-----------|-----|------|
| P | LTR | DESCRIPTION | DATE | DWN | APVD |
| D2 | | REVISED PER ECR-21-000572 | 20JAN2021 | RZ | RS |

NOTES:

- 1 SINGLE PACK IN ACCORDANCE WITH AMP SPEC 107-3275
- 2 50 TRAY PACK IN ACCORDANCE WITH AMP SPEC 107-3275
- 3 Au PLATING OVER Ni PLATING OVER Cu PLATING
- 4 Ni PLATING OVER Cu PLATING
- 5 TIN PLATING
- 6 RECOMMENDED SELF-TAPPING SCREW 221108-4
- 7 RECOMMENDED MOUNT NUT 1-1634816-0
- 8 RECOMMENDED LOCKWASHER 1-1634817-0
- 9 FOR TECHNICAL DATA REFER TO YOUR LOCAL TE CONNECTIVITY SALES OFFICE
- 10 ALL DIMENSIONS ARE NOMINAL FOR REFERENCE ONLY UNLESS OTHERWISE STATED



| | | Obsolete | Obsolete | Obsolete | Obsolete | | | | |
|-------------------|------|----------|----------|----------|----------|------------|---------------|-------------|------|
| 1 | - | - | - | - | - | BRONZE | WASHER | 8 | |
| 1 | - | - | - | - | - | BRASS | NUT | 7 | |
| - | - | 2 | 2 | - | - | BRASS | BOARD LOCK | 6 | |
| 2 | - | - | - | - | 2 | BRASS | MOUNTING POST | 5 | |
| 1 | 1 | 1 | 1 | 1 | 1 | BRASS | SOLDER TAIL | 4 | |
| 1 | 1 | 1 | 1 | 1 | 1 | PE-606 | INSULATOR | 3 | |
| 1 | 1 | 1 | 1 | 1 | 1 | ZINC ALLOY | BODY | 2 | |
| 1 | 1 | 1 | 1 | 1 | 1 | BRASS | CONTACT | 1 | |
| 2--0 | 6--2 | 1--2 | 6--1 | 1--1 | 6--0 | 1--0 | MATERIAL | DESCRIPTION | ITEM |
| QUANTITY PER ASSY | | | | | | | PARTS LIST | | |

| | | | | | |
|--|--|------------------|------------|----------|--------------|
| THIS DRAWING IS A CONTROLLED DOCUMENT. | | DWN | 06 Mar 09 | RITA ZUO | |
| | | CHK | 06 Mar 09 | ANSON MA | |
| | | APVD | 06 Mar 09 | BOB ZHAO | |
| | | PRODUCT SPEC | 108-112000 | | |
| | | APPLICATION SPEC | - | | |
| MATERIAL | | FINISH | WEIGHT | 0.000000 | A2 |
| SEE TABLE | | SEE TABLE | CAGE CODE | 00779 | C=1634508 |
| | | CUSTOMER DRAWING | SCALE | NTS | SHEET 1 of 1 |
| | | | REV | D2 | |

X-ON Electronics

Largest Supplier of Electrical and Electronic Components

Click to view similar products for [RF Connectors / Coaxial Connectors](#) category:

Click to view products by [TE Connectivity](#) manufacturer:

Other Similar products are found below :

[8915-1511-000](#) [89674-0827](#) [6001-7071-019](#) [6002-7051-003](#) [6002-7551-202](#) [6059674-1](#) [619550-1](#) [630059-000](#) [M39030/3-01N](#) [6500-7071-046](#) [6769](#) [CX050L2AQ](#) [7002-1541-010](#) [7002-1542-011](#) [7004-1512-000](#) [7009-1511-004](#) [7010-1511-000](#) [7029-1511-060](#) [7101-1541-010](#) [7101-1571-002](#) [7145-1521-002](#) [7203-1571-003](#) [7209-1511-011](#) [7210-1511-015](#) [7210-1511-019](#) [73137-5015](#) [73216-2241](#) [73404-2300](#) [7405-1521-005](#) [7405-1521-802](#) [8527](#) [8547](#) [FS11V](#) [877931](#) [8808-1511-001](#) [9074-9513-000](#) [9101-9573-002](#) [910A205F](#) [9130-9573-002](#) [PL11SC-026](#) [PL375-33](#) [PL40-5](#) [PL74C-221](#) [PL75MC-217](#) [PL803-7](#) [1200690078](#) [1-201144-1](#) [R107003010W](#) [R110A172100](#) [R112186000](#)