

THIS DRAWING IS UNPUBLISHED.

RELEASED FOR PUBLICATION

---

LOC GP DIST 00

REVISIONS

© COPYRIGHT - By -

ALL RIGHTS RESERVED.

P	LTR	DESCRIPTION	DATE	DWN	APVD
D		REVISED PER ECO-17-012925	20FEB2018	AP	DG

1 FOR LOCAL DATA REFER TO YOUR LOCAL TE CONNECTIVITY SALES OFFICE.

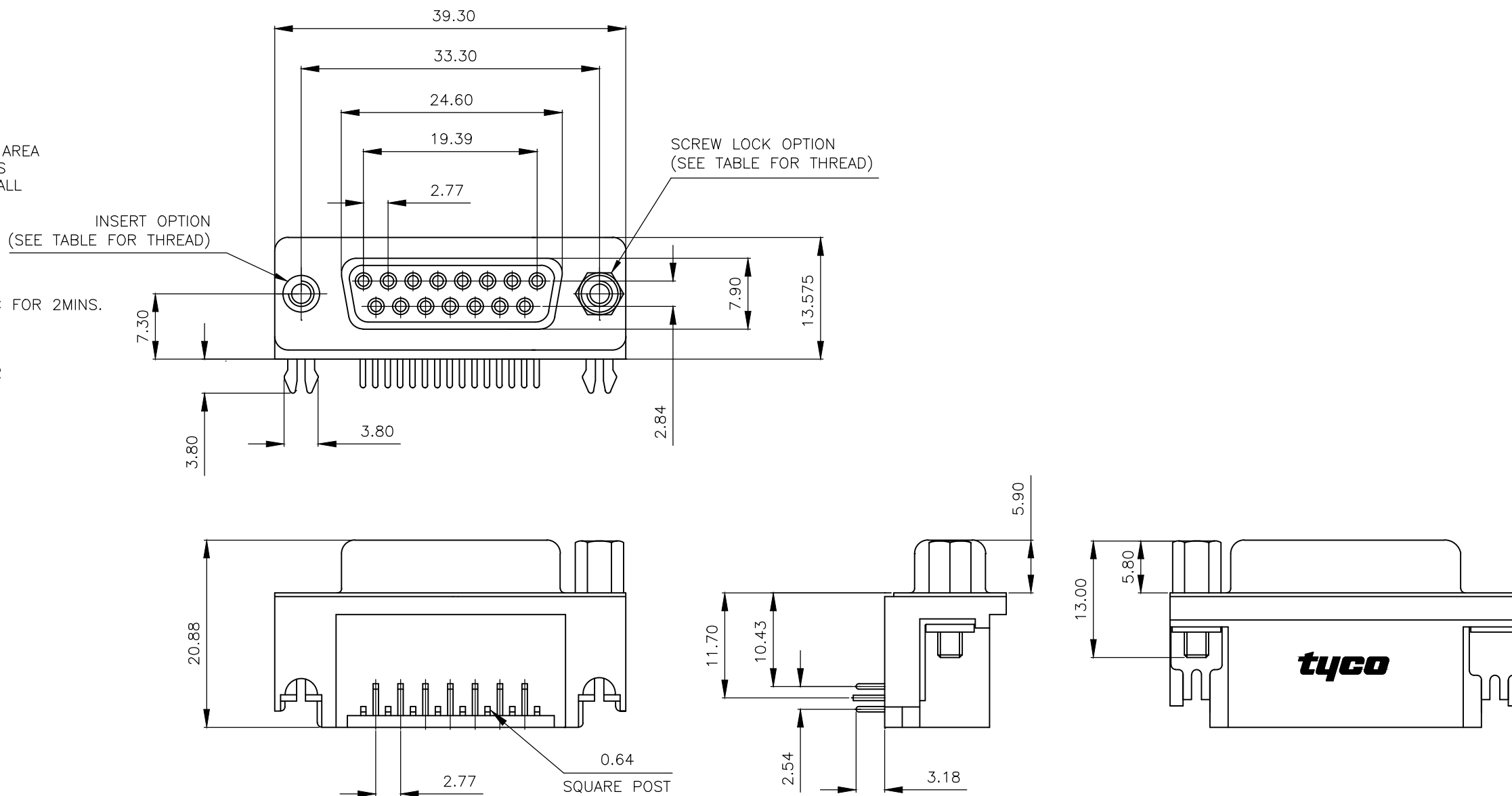
2 ALL DIMENSIONS ARE NOMINAL FOR REFERENCE ONLY UNLESS OTHERWISE STATED.

3 MATERIAL :  
 HOUSING : THERMOPLASTIC, UL94V-0  
 BLACK COLOR  
 CONTACTS : PHOSPHOR BRONZE  
 SHELL : STEEL  
 BOARDLOCK : BRASS  
 SCREW : BRASS

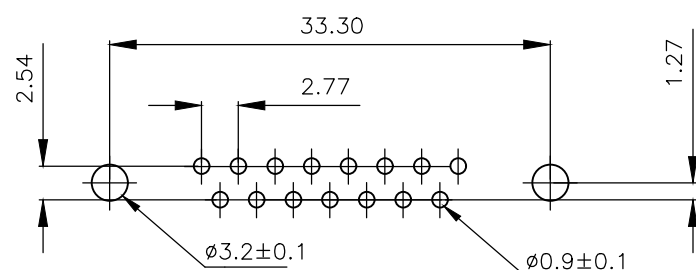
4 FINISH :  
 CONTACT : 0.38µm MIN.GOLD PLATED ON CONTACT AREA  
 2.54µm MIN. TIN PLATED ON SOLDERTAILS  
 1.27µm MIN. NICKEL UNDERPLATED OVERALL  
 SHELL : 2.54 µm MIN NICKEL PLATED.  
 BOARD LOCK : 1.52µm MIN. TIN PLATED  
 SCREW : 1.27µm MIN. NICKEL PLATED.

5 CHARACTERISTICS  
 CURRENT RATING : 5A  
 INSULATION RESISTANCE : 1000MOHMS MIN, 500VDC FOR 2MINS.  
 TEMPERATURE RATING : -55DEGC ~ +105DEGC  
 VOLTAGE RATING : 250VDC

6 OBSOLETE PARTS: OBSOLETE CIS STREAMLINING PER D.RENAUD/D.SINISI.



P.C.B. LAYOUT



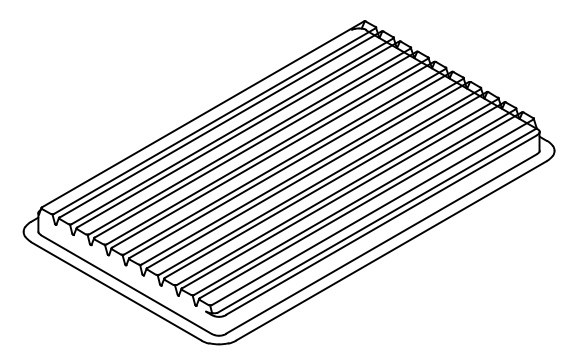
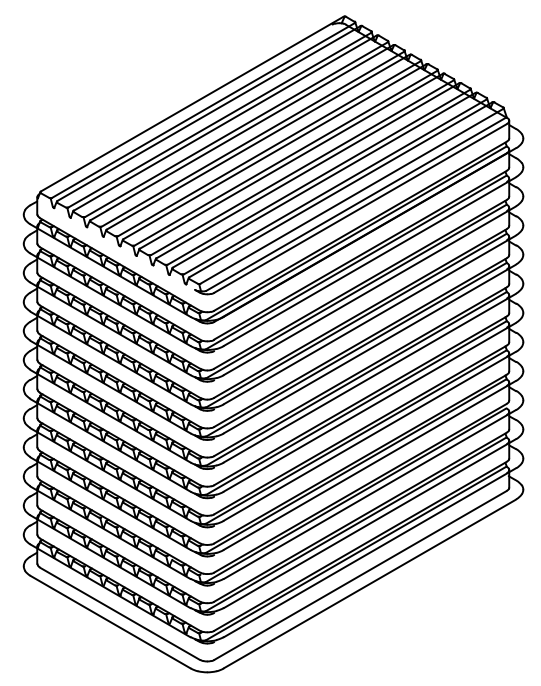
DESCRIPTION	PART No.
OBSOLETE 15 WAY D SOCKET WITH BOARD LOCKS & 2 x M3 SCREW LOCKS, 0.38µm GOLD, RIGHT ANGLE	4-1634585-2
SUPERSEDED BY 2301845-2 15 WAY D SOCKET WITH BOARD LOCKS & 2 x 4-40 SCREW LOCKS, 0.38µm GOLD, RIGHT ANGLE	3-1634585-2
6 OBSOLETE 15 WAY D SOCKET WITH BOARD LOCKS & 2 x M3 INSERTS, 0.38µm GOLD, RIGHT ANGLE	2-1634585-2
SUPERSEDED BY 2301845-1 15 WAY D SOCKET WITH BOARD LOCKS & 2 x 4-40 INSERTS, 0.38µm GOLD, RIGHT ANGLE	1-1634585-2

THIS DRAWING IS A CONTROLLED DOCUMENT.		DWN J.SANDWELL 15SEP2003		TE Connectivity	
DIMENSIONS: mm		CHK S.EBBUTT 15SEP2003			
TOLERANCES UNLESS OTHERWISE SPECIFIED:		APVD F.WHEELER-KING 15SEP2003		NAME 15 WAY D-SUB SOCKET WITH BOARD LOCK	
0 PLC ± -		PRODUCT SPEC		SIZE	
1 PLC ± -		APPLICATION SPEC		CAGE CODE	
2 PLC ± -		WEIGHT		DRAWING NO	
3 PLC ± -		CUSTOMER DRAWING		RESTRICTED TO	
4 PLC ± -		SCALE NTS		SHEET 1 OF 2	
ANGLES ± -		SHEET 1 OF 2		REV E	
FINISH -		A3 00779		C-1634585	

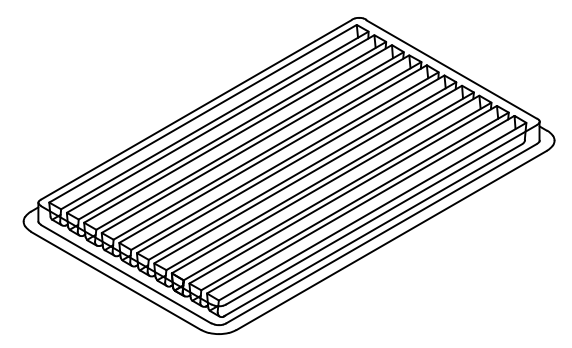
THIS DRAWING IS UNPUBLISHED.      RELEASED FOR PUBLICATION      - , - .  
 © COPYRIGHT - By -      ALL RIGHTS RESERVED.

LOC	DIST	REVISIONS			
P	LTR	DESCRIPTION	DATE	DWN	APVD
GP	00	-	SEE SHEET 1	-	-

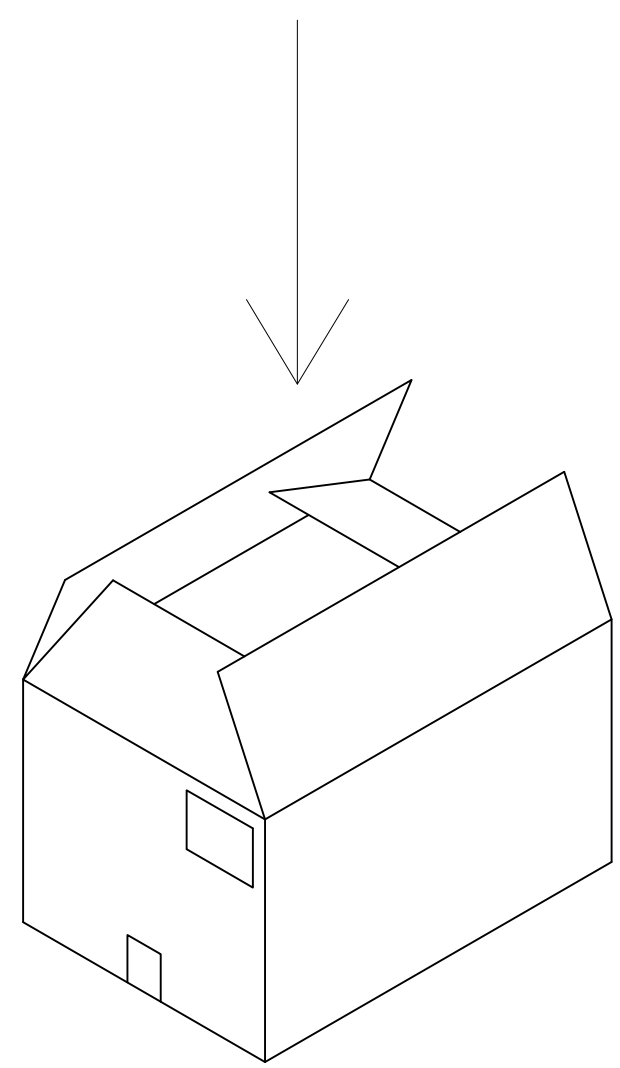
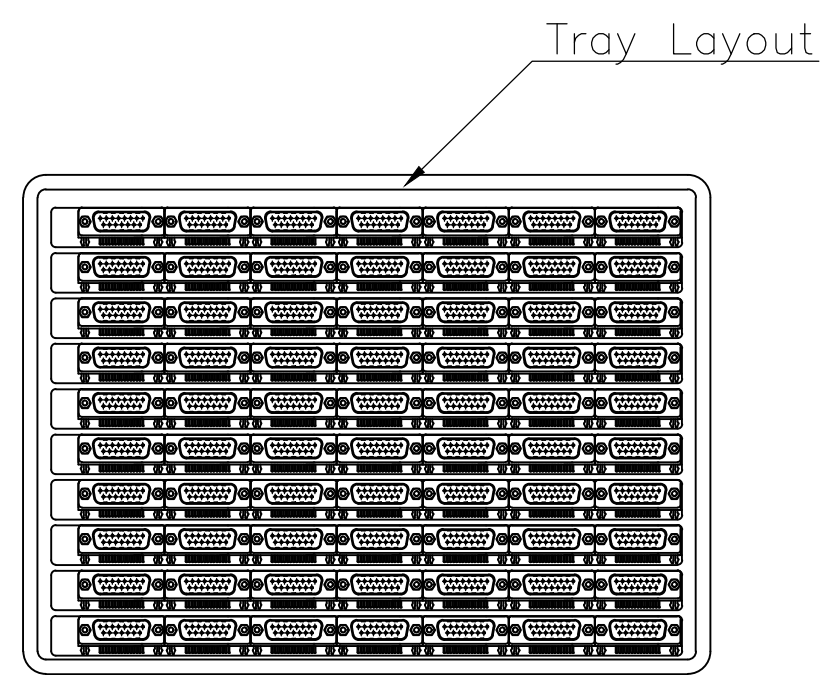
- DIMENSION:  
 TRAY:L=310,W=220,H=23  
 SHIPPING BOX:L=335,W=230,H=320
- QUANTITY:  
 70 PCS/TRAY  
 13 TRAY/SHIPPING BOX


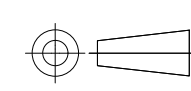


COVER



TRAY



THIS DRAWING IS A CONTROLLED DOCUMENT.		DWN J.SANDWELL 15SEP2003	 TE Connectivity				
DIMENSIONS: mm 		CHK S.EBBUTT 15SEP2003				NAME 15 WAY D-SUB SOCKET WITH BOARD LOCK	
TOLERANCES UNLESS OTHERWISE SPECIFIED: 0 PLC ± - 1 PLC ± - 2 PLC ± - 3 PLC ± - 4 PLC ± - ANGLES ± -		APVD F.WHEELER-KING 15SEP2003	PRODUCT SPEC				
MATERIAL		FINISH	APPLICATION SPEC	SIZE	CAGE CODE	DRAWING NO	RESTRICTED TO
-		-	-	-	A300779	C-1634585	-
CUSTOMER DRAWING			WEIGHT	SCALE	SHEET	REV	
-			-	NTS	2 OF 2	E	

## X-ON Electronics

Largest Supplier of Electrical and Electronic Components

*Click to view similar products for [D-Sub Standard Connectors](#) category:*

*Click to view products by [TE Connectivity](#) manufacturer:*

Other Similar products are found below :

[56F711-015](#) [012-9507-004](#) [LV242999-142T12](#) [015-0341-000](#) [015-0372-005](#) [015-0372-008](#) [015-8755-001](#) [020419-0104](#) [012-0467-000](#) [012-0515-000](#) [012-9507-034](#) [012-9507-114](#) [020745-0008](#) [609-25P](#) [M24308/2-23Z](#) [CT2-14S-2PCA34](#) [CT2-18-11PCAU](#) [CT6-10SL-3SC](#) [CT6-10SL-4SC](#) [CT6-14S-2SC](#) [CT6E14SA7SC](#) [M83513/01-FC](#) [M83723/76W24619 L/C](#) [M85049/48-3-2F](#) [6STD09PCM99B70X](#) [6STD09SCM99B30X](#) [6STD09SCT99S40X](#) [6STD15PCT99S40X](#) [6STD15SCM99B30X](#) [6STD15SCT99S40X](#) [6STF09PCM05B70X](#) [7-135760-9](#) [MC11E-10-6SN](#) [747552-3](#) [MD1-21PS](#) [MDM-15SCBRM7-F222](#) [MDM96517-699](#) [MDM96521-744](#) [MDVB1-21SL1](#) [MIK0-1-7SH003](#) [MIKQ6-7SH076](#) [MIKQ7-7PH077](#) [MIKQ7-7PH11](#) [MIKQ7-7PH32](#) [MJSV-28SL61](#) [MKJ4A1F14-55S](#) [8-135760-3](#) [8STD09PCM99B30X](#) [PG-KV/PV-16-GROM-SEALING](#) [GDA15P](#)