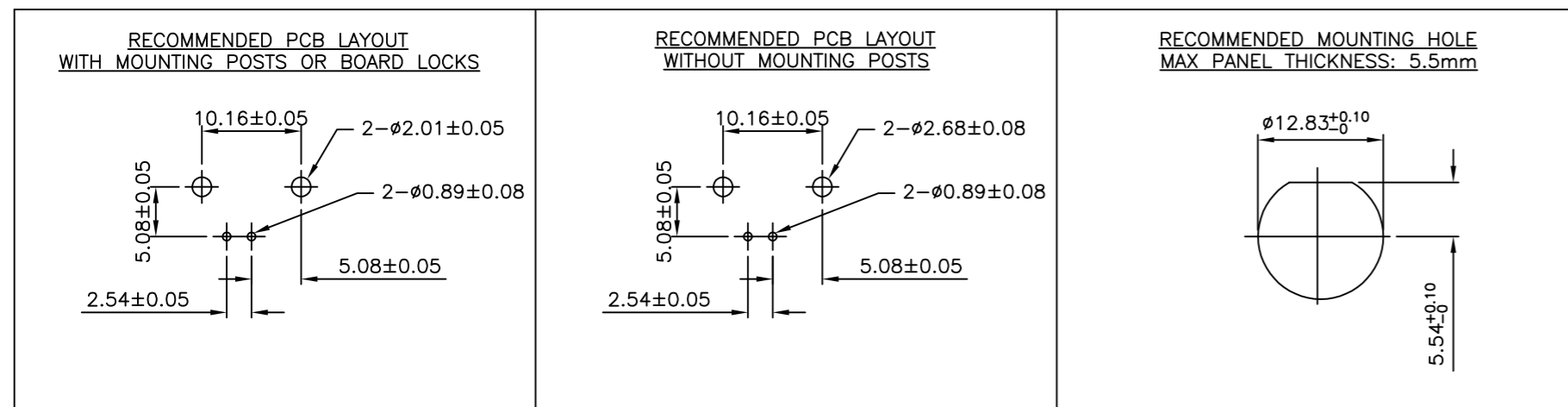
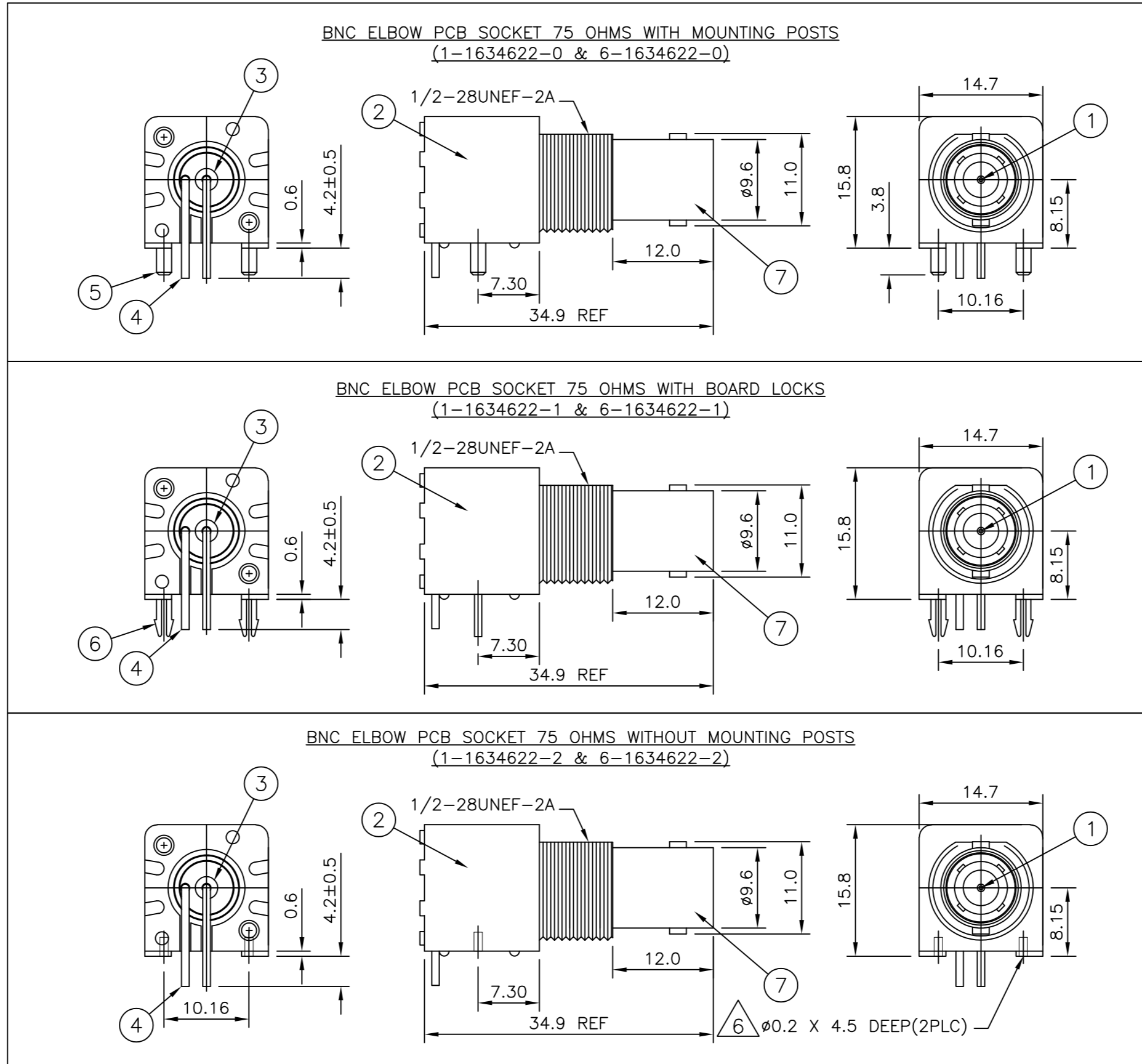


LOC		DIST		REVISIONS			
P	LTR	DESCRIPTION	DATE	DWN	APVD		
	C1	REVISED PER ECO-11-005033	31MAR11	RK	HMR		
	D	ECO-12-014680	20Aug2012	TITAN	MARTIN		
	E	ECO-12-018113	27DEC2012	TITAN	MARTIN		
	E1	ECO-13-014696	17SPE2013	RITA	MARTIN		

- NOTES:**
- 1 SINGLE PACK IN ACCORDANCE WITH AMP SPEC 107-3275
 - 2 50 TRAY PACK IN ACCORDANCE WITH AMP SPEC 107-3275
 - 3 GOLD PLATING
 - 4 NICKEL PLATING
 - 5 TIN PLATING
 - 6 RECOMMENDED SELF-TAPPING SCREW 221108-4
 - 7. RECOMMENDED MOUNT NUT 1-1634816-0
 - 8. RECOMMENDED LOCKWASHER 1-1634817-0
 - 9. FOR TECHNICAL DATA REFER TO YOUR LOCAL TE CONNECTIVITY SALES OFFICE
 - 10. ALL DIMENSIONS ARE NOMINAL FOR REFERENCE ONLY UNLESS OTHERWISE STATED



Obsolete	Obsolete	Obsolete	Obsolete	Quantity	Material	Description	Item
1	1	1	1	1	ZINC DIECAST	BOARD LOCK	7
-	-	2	2	-	BRASS	MOUNTING POST	6
-	-	-	-	2	BRASS	SOLDER TAIL	5
1	1	1	1	1	BRASS	INSULATOR	4
1	1	1	1	1	PE-606	HOUSING	3
1	1	1	1	1	PBT BLACK	CONTACT	2
1	1	1	1	1	BRASS	HOUSING	1
6--2	1--2	6--1	1--1	6--0	1--0	MATERIAL	DESCRIPTION
△	△	△	△	△	△		ITEM

THIS DRAWING IS A CONTROLLED DOCUMENT.

DWN: J.SANDWELL 17AUG05
 CHK: S.PARLOW 17AUG05
 APVD: F.WHEELER-KING 17AUG05

TE Connectivity

BNC R/A INSULATED PCB SOCKET
 75 OHM BLACK

108-112000

SIZE: A2 CAGE CODE: 00779 DRAWING NO: C=1634622 RESTRICTED TO: -

SCALE: NTS SHEET: 1 OF 1 REV: E1

CUSTOMER DRAWING

X-ON Electronics

Largest Supplier of Electrical and Electronic Components

Click to view similar products for [RF Connectors / Coaxial Connectors](#) category:

Click to view products by [TE Connectivity](#) manufacturer:

Other Similar products are found below :

[8915-1511-000](#) [89674-0827](#) [6001-7071-019](#) [6002-7051-003](#) [6002-7551-202](#) [6059674-1](#) [619550-1](#) [630059-000](#) [M39030/3-01N](#) [6500-7071-046](#) [6769](#) [CX050L2AQ](#) [7002-1541-010](#) [7002-1542-011](#) [7004-1512-000](#) [7009-1511-004](#) [7010-1511-000](#) [7029-1511-060](#) [7101-1541-010](#) [7101-1571-002](#) [7145-1521-002](#) [7203-1571-003](#) [7209-1511-011](#) [7210-1511-015](#) [7210-1511-019](#) [73137-5015](#) [73216-2241](#) [73404-2300](#) [7405-1521-005](#) [7405-1521-802](#) [8527](#) [8547](#) [FS11V](#) [877931](#) [8808-1511-001](#) [9049-9513-000](#) [9074-9513-000](#) [9101-9573-002](#) [910A205F](#) [9130-9573-002](#) [PL11SC-026](#) [PL375-33](#) [PL40-5](#) [PL74C-221](#) [PL75MC-217](#) [PL803-7](#) [1200690078](#) [1-201144-1](#) [R107003010W](#) [R110A172100](#)