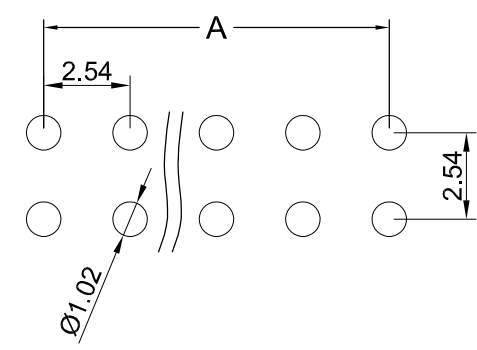


THIS DRAWING IS UNPUBLISHED. RELEASED FOR PUBLICATION 14JAN, 2004.
 © COPYRIGHT 2004 By - ALL RIGHTS RESERVED.

LOC	DIST	REVISIONS			
P	LTR	DESCRIPTION	DATE	DWN	APVD
	C	ECR-06-021030	22SEP06	AM	FWK
	C1	REVISED PER ECO-10-000444	18JAN10	KK	HMR
	C2	ECR-10-022205	01FEB11	KK	HMR

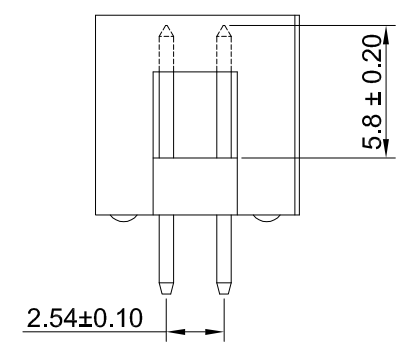
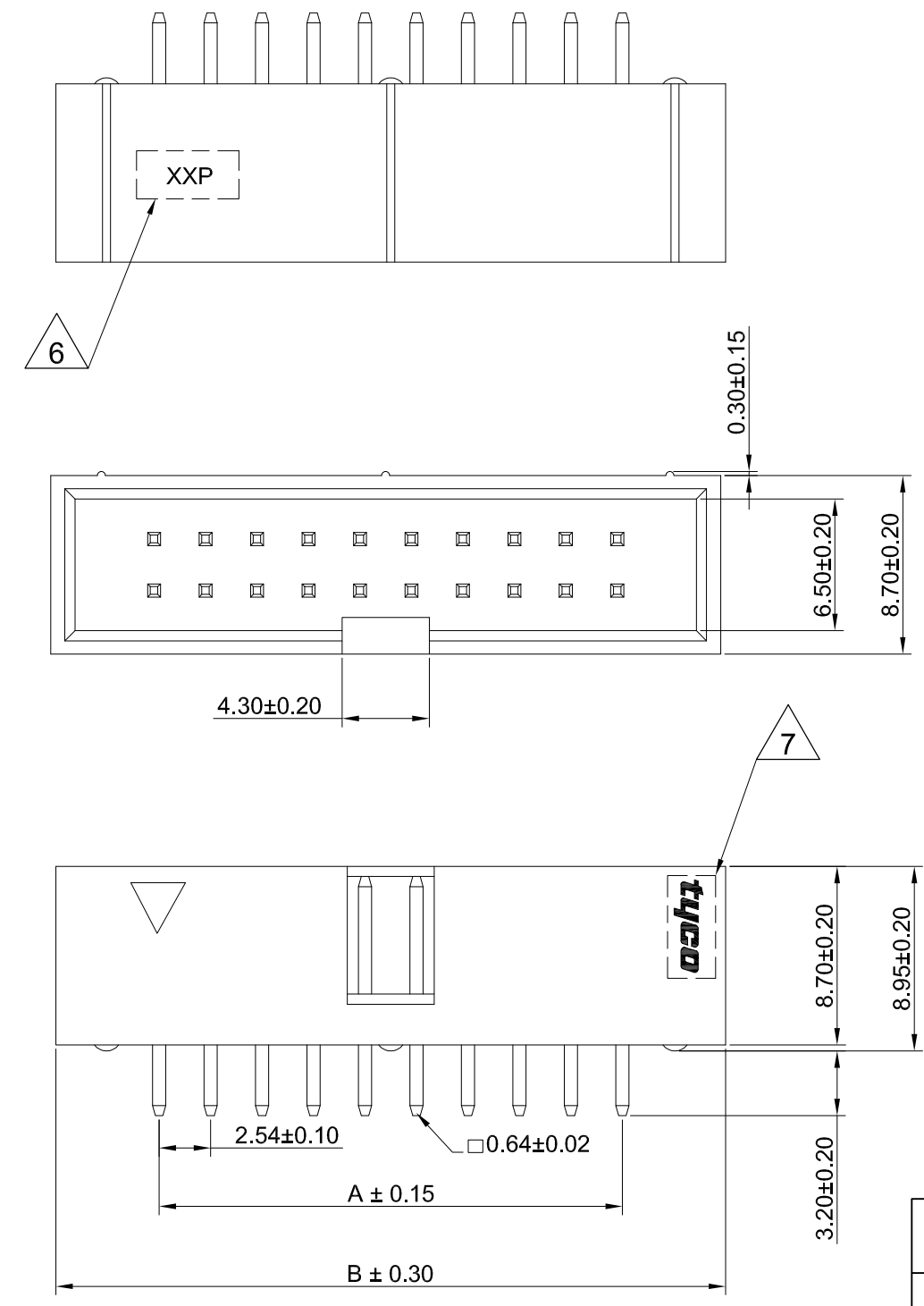
Recommended P.C.Board Hole Layout



NOTES

- FOR TECHNICAL DATA REFER TO YOUR LOCAL TYCO ELECTRONICS SALES OFFICE.
- ALL DIMENSIONS ARE NOMINAL FOR REFERENCE ONLY UNLESS OTHERWISE STATED.
- RATING
 3.1 RATING : 3 AMPS
 3.2 OPERATING TEMPERATURE : - 40°C TO +105°C
- ELECTRICAL SPECIFICATION
 4.1 INSULATION RESISTANCE
 5000 MΩ MINIMUM
 4.2 WITHSTAND VOLTAGE
 500V AC
- MATERIALS
 5.1 CONTACT - BRASS, POST PLATE
 Au 0.25µm (10µinch) IN CONTACT AREA
 Sn 2 TO 3µm (80 TO 120µinch) IN SOLDER AREA.
 5.2 HOUSING - BLACK NYLON 6T UL 94V-0

- △ 6 NUMBER OF CONTACT POSITIONS TO BE INDICATED IN AREA SHOWN.
XX = NUMBER OF POSITONS.
- △ 7 TYCO LOGO TO BE PRESENT IN AREA INDICATED.
- △ 8 OBSOLETE PARTS: OBSOLETE CIS STREAMLINING PER D.RENAUD/D.SINISI



△ 8	Dimensions	No Of Contacts	TE Part No	
OBSOLETE	78.74	88.93	64	6-1634688-4
OBSOLETE	73.66	83.85	60	6-1634688-0
	60.96	71.15	50	5-1634688-0
	48.26	58.45	40	4-1634688-0
	40.64	50.83	34	3-1634688-4
	30.48	40.67	26	2-1634688-6
	22.86	33.05	20	2-1634688-0
	17.78	27.97	16	1-1634688-6
	15.24	25.43	14	1-1634688-4
	10.16	20.35	10	1-1634688-0

THIS DRAWING IS A CONTROLLED DOCUMENT.		DWN	A.MOREY	14JAN04
DIMENSIONS: mm		CHK	J.SANDWELL	14JAN04
TOLERANCES UNLESS OTHERWISE SPECIFIED:		APVD	F.WHEELER-KING	14JAN04
0 PLC ± -		NAME		
1 PLC ± -		PRODUCT SPEC		
2 PLC ± 0.2		APPLICATION SPEC		
3 PLC ± -		SIZE	A3	00779
4 PLC ± -		CAGE CODE	C-	1634688
ANGLES ± 3'		DRAWING NO	RESTRICTED TO	
MATERIAL -		WEIGHT	-	
FINISH -		CUSTOMER DRAWING		
		SCALE	NTS	SHEET 1 OF 1
				REV C2

OBSELETE TE Connectivity
 BOX HEADER STRAIGHT
 NOT the LATEST REVISION

X-ON Electronics

Largest Supplier of Electrical and Electronic Components

Click to view similar products for [TE Connectivity](#) manufacturer:

Other Similar products are found below :

[D38999/24FJ4AN](#) [570416-000](#) [CLTEQ-M81CE-SSRELAY-4-20V](#) [4-1195131-0](#) [650069-000](#) [SMD100-2](#) [358838-000](#) [CB-1022B-78](#)
[RM707012](#) [RP410012](#) [MMS42](#) [1-640426-8](#) [2EDL4CM](#) [DTS20W19-11PD-3028-LC](#) [RM202615](#) [NC6-P104-06](#) [MSPS103B](#) [DTS26F21-](#)
[41HE-LC](#) [DTS26F21-41AE](#) [DTS26F21-41PE-LC](#) [DTS26F21-11SE-3028-LC](#) [30DCB6](#) [1932144-1](#) [293545-4](#) [LVR125S](#) [MS27466T25F4PB](#)
[CKB-38-78010](#) [TR04AI-TINELLOCKRING](#) [1206SFF150F/63-2](#) [D38999/20JB35HA](#) [TE1500A2R2J](#) [D38999/20WC8BB](#) [DTS24F19-11SC-](#)
[3028-LC](#) [D38999/24WG11HA](#) [D38999/24WG11HN](#) [MS27467T21F11H](#) [DJT16E21-11HA](#) [MS27467T21F35J](#) [MS27467T21F11J](#)
[MS27467T21F16H-LC](#) [MS27467T21F35H](#) [MS27467T21F41H-LC](#) [1206SFH150F/24-2](#) [RP330024](#) [DJT16E21-11PA-LC](#) [DJT16E21-11HA-](#)
[LC](#) [DJT16E21-11AA](#) [MS27467T21B11JA](#) [DJT16E21-11JA](#) [MS27467T21B11JA-LC](#)