

THIS DRAWING IS UNPUBLISHED.

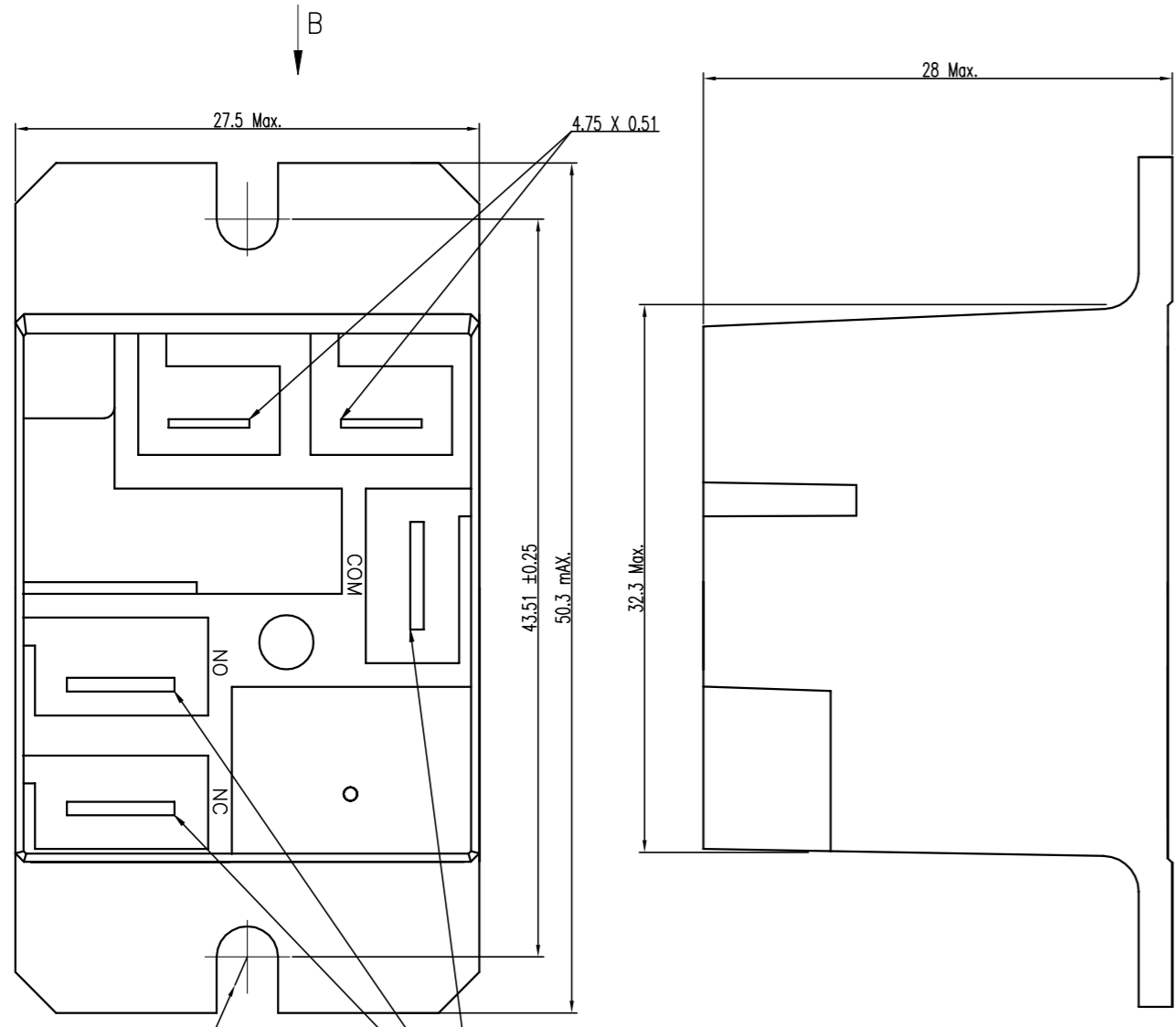
RELEASED FOR PUBLICATION

ALL RIGHTS RESERVED.

© COPYRIGHT - By -

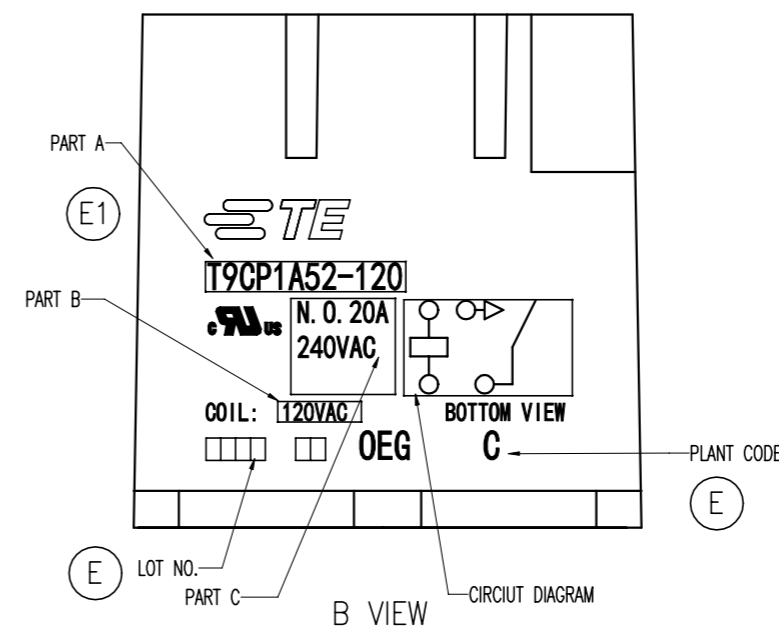
REVISIONS

P	LTR	DESCRIPTION	DATE	DWN	APVD
E1		LASER MARKING, ECO-20-010661	17AUG2020	HL.C	XN.Z



CONTACT FORM	PART C	CIRCUIT DIAGRAM
FORM A	N.O. 20A 240VAC	
FORM C	N.O. 20A N.C. 10A 240VAC	
FORM B	N.C. 10A 240VAC	

FORM	PART NO	TE TYPE NAME	PART A	PART B
FORM B	2-1649341-5	T9CP2A54-120	T9CP2A54-120	120VAC
FORM B	2-1649341-4	T9CP2A54-240	T9CP2A54-240	240VAC
FORM C	2-1649341-0	T9CP5A54-240	T9CP5A54-240	240VAC
FORM C	1-1649341-9	T9CP5A54-120	T9CP5A54-120	120VAC
FORM C	1-1649341-7	T9CP5A54-24	T9CP5A54-24	24VAC
FORM C	1-1649341-5	T9CP5A52-240	T9CP5A52-240	240VAC
FORM C	1-1649341-4	T9CP5A52-120	T9CP5A52-120	120VAC
FORM C	1-1649341-2	T9CP5A52-24	T9CP5A52-24	24VAC
FORM C	1-1649341-1	T9CP5A52-12	T9CP5A52-12	12VAC
FORM A	1649341-2	T9CP1A54-240	T9CP1A54-240	240VAC
FORM A	1-1649341-0	T9CP1A54-120	T9CP1A54-120	120VAC
FORM A	1649341-8	T9CP1A54-24	T9CP1A54-24	24VAC
FORM A	1649341-6	T9CP1A52-240	T9CP1A52-240	240VAC
FORM A	1649341-5	T9CP1A52-120	T9CP1A52-120	120VAC
FORM C	2071170-2	T9CP5A52-277-01	T9CP5A52-277-01	277VAC
FORM C	2071170-4	T9CP5A52-120-01	T9CP5A52-120-01	120VAC
FORM C	2071170-5	T9CP5A52-240-02	T9CP5A52-240-02	240VAC



NOTE:
1. LOT NO. DESCRIPTION:

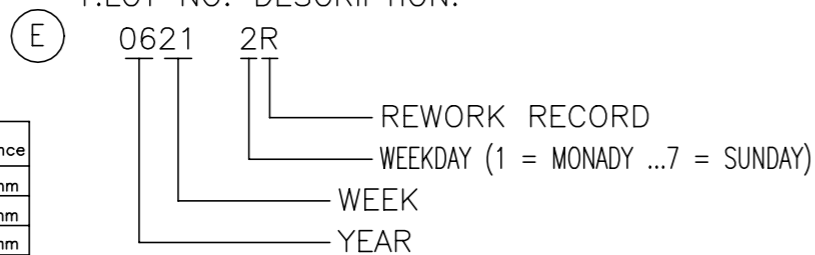


Diagram dimension	Tolerance
0.99mm max.	±0.1mm
1 - 2.99mm	±0.2mm
3mm min.	±0.3mm

THIS DRAWING IS A CONTROLLED DOCUMENT.

DIMENSIONS:	TOLERANCES UNLESS OTHERWISE SPECIFIED:
mm	
	0 PLC ± -
	1 PLC ± -
	2 PLC ± -
	3 PLC ± -
	4 PLC ± -
	ANGLES ± -
MATERIAL	FINISH
-	-

DWN	XN.ZHANG
CHK	ANTHONY.YIP
APVD	CH.HSU
PRODUCT SPEC	-
APPLICATION SPEC	-
WEIGHT	-
CUSTOMER DRAWING	-



T9C AC TYPE CUSTOMER DRAWING

SIZE	CAGE CODE	DRAWING NO	RESTRICTED TO
A3	00779	1649341	-
SCALE	SHEET	REV	
5:2	1 OF 1	E1	

X-ON Electronics

Largest Supplier of Electrical and Electronic Components

Click to view similar products for [General Purpose Relays](#) category:

Click to view products by [TE Connectivity](#) manufacturer:

Other Similar products are found below :

[PCN-105D3MH,000](#) [59641F200](#) [LY1SAC110120](#) [5X827E](#) [5X837F](#) [5X840F](#) [5X842F](#) [5X848E](#) [LY2N-AC120](#) [LY2S-AC220/240](#) [LY2-US-AC120](#) [LY3-US-AC120](#) [LY4F-UA-DC12](#) [LY4F-UA-DC24](#) [LY4F-US-AC120](#) [LY4F-US-AC240](#) [LY4F-US-DC24](#) [LY4F-VD-AC110](#) [LYQ20DC12](#) [M115C60](#) [M115N010](#) [M115N0150](#) [6031007G](#) [603-12D](#) [61211T0B4](#) [61212T400](#) [61222Q400](#) [61243B600](#) [61243C500](#) [61243Q400](#) [61311BOA2](#) [61311BOA6](#) [61311BOA8](#) [61311C0A2](#) [61311COA1](#) [61311COA6](#) [61311F0A2](#) [61311QOA1](#) [61311QOA4](#) [61311T0D6](#) [61311TOA6](#) [61311TOA7](#) [61311TOB3](#) [61311TOB4](#) [61311U0A6](#) [61312Q600](#) [61312T400](#) [61312T600](#) [61313U200](#) [61313U400](#)