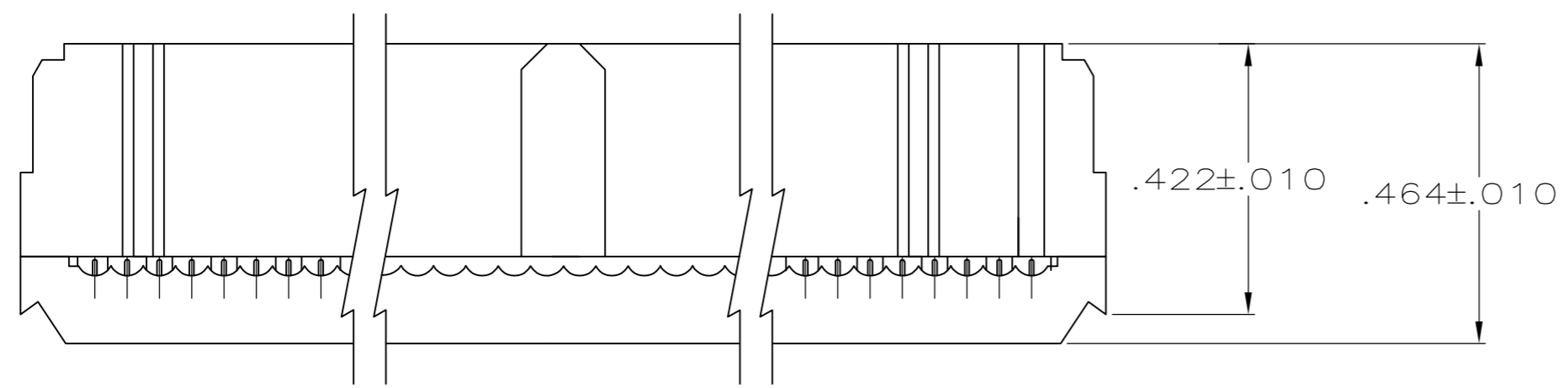


THIS DRAWING IS UNPUBLISHED. RELEASED FOR PUBLICATION
 © COPYRIGHT - By - ALL RIGHTS RESERVED.

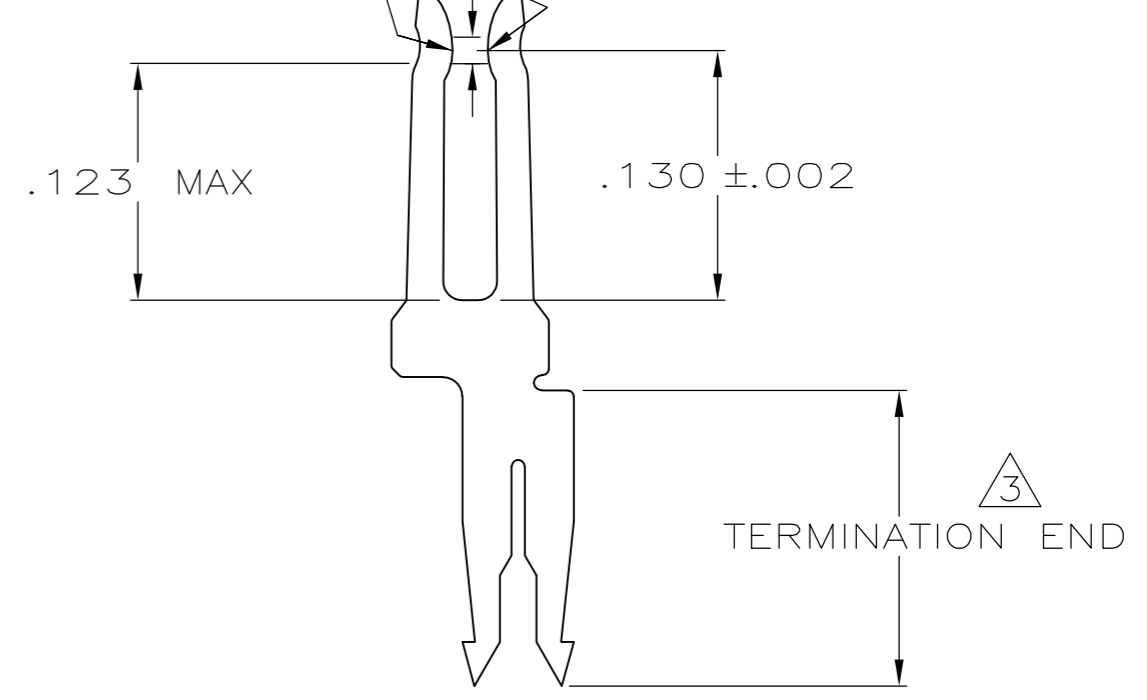
LOC		DIST		REVISIONS			
P	LTR	DESCRIPTION		DATE	DWN	APVD	
GP	00	B2	REVISED PER ECR-15-012046		15JUN2015	I.T	W.H

- 1 MOLDED PARTS: UL RATED 94V-0 THERMOPLASTIC, BLACK.
- 2 CONTACTS: PHOSPHOR BRONZE PER QQ-B-750.
- 3 CONTACTS: PLATED WITH .000030 MIN GOLD IN LOCALIZED GOLD PLATE AREA, .000050 MIN TIN ON TERMINATION END, ALL OVER .000050 MIN NICKEL ON ENTIRE CONTACT.
OR
GOLD FLASH OVER PALLADIUM-NICKEL PLATE .000030 MIN TOTAL IN LOCALIZED GOLD PLATE AREA, .000050 MIN TIN ON TERMINATION END, ALL OVER .000050 MIN NICKEL ON ENTIRE CONTACT.
- 4 POLARIZING FEATURE DOES NOT EXIST ON SAME END AS THE POSN #1 INDICATOR ON 10 AND 14 POSN PRODUCT.

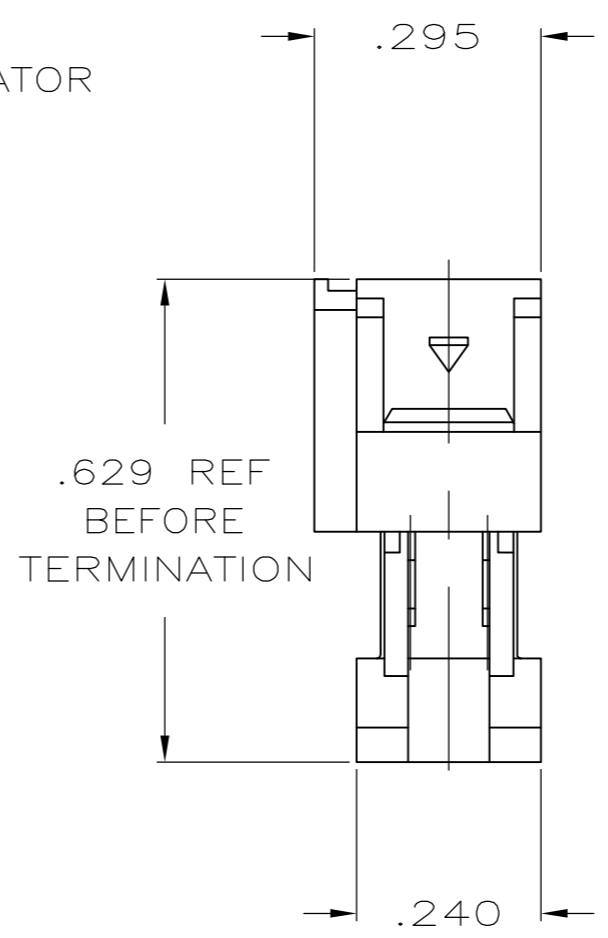
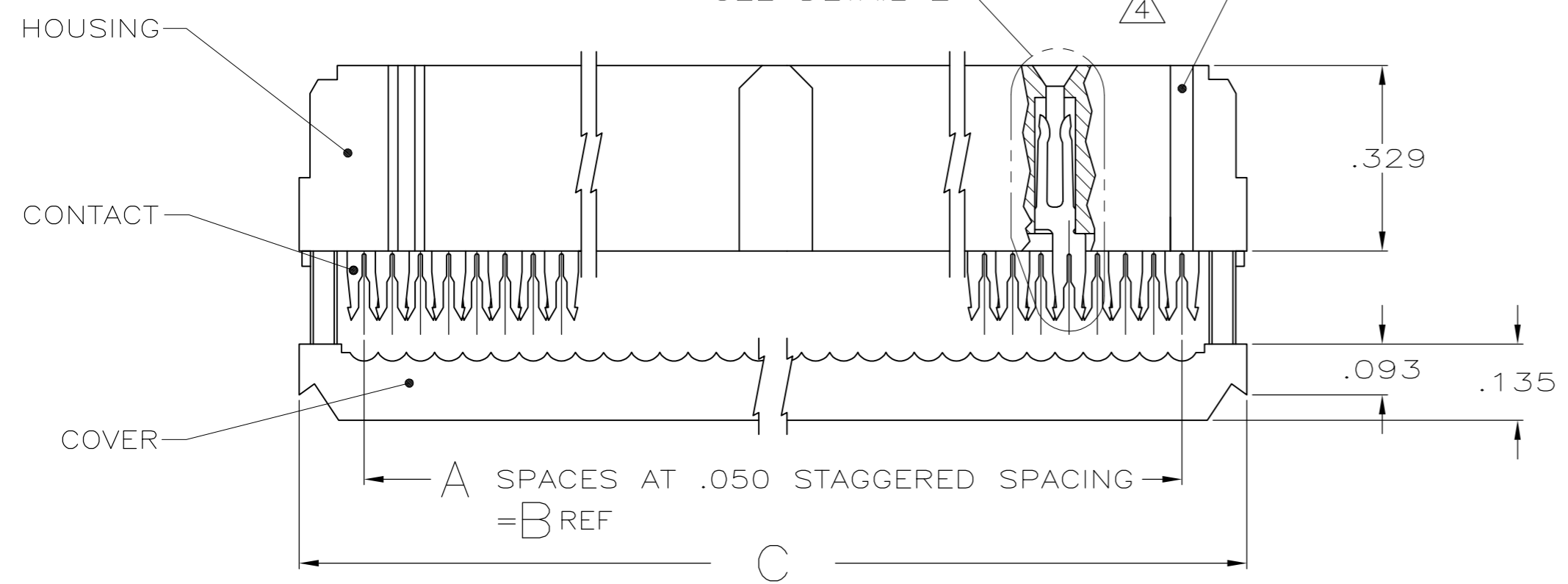
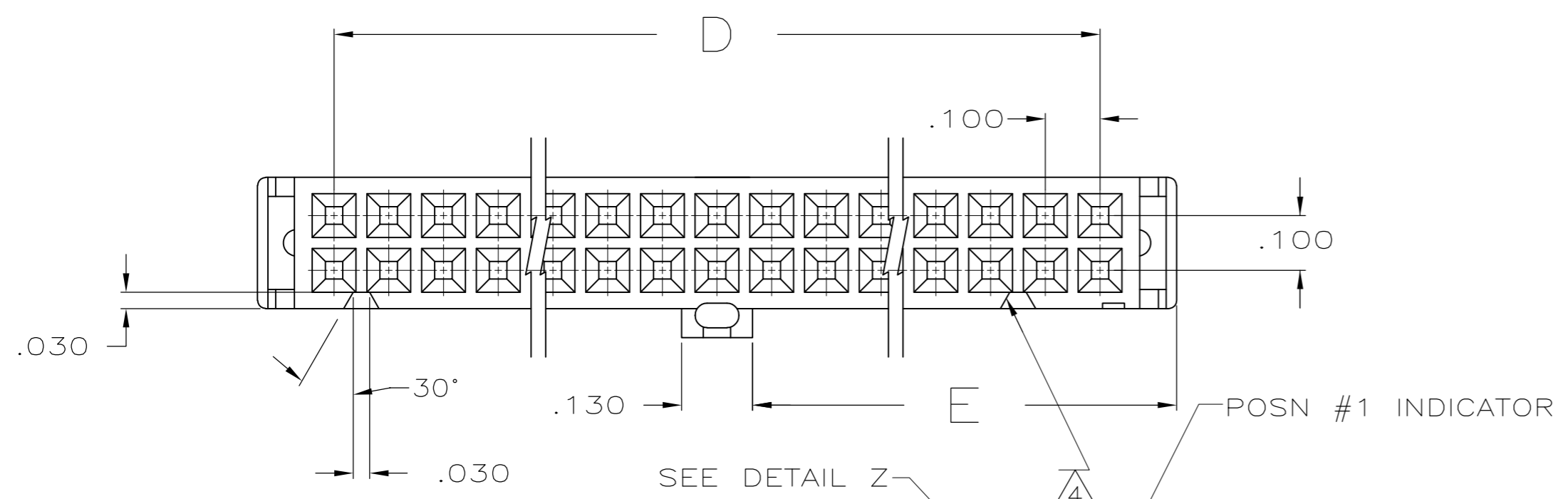


TERMINATED VIEW

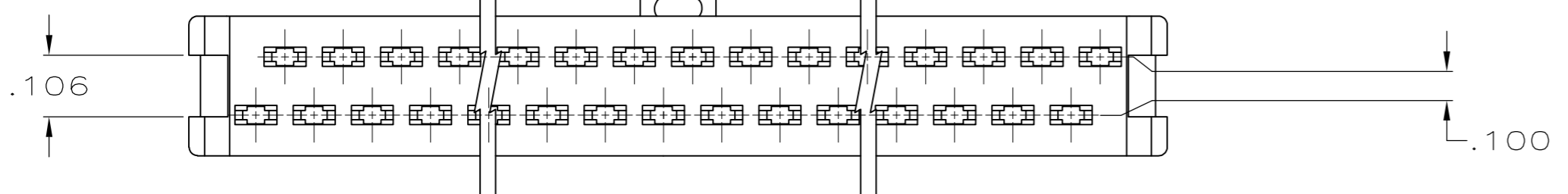
LOCALIZED GOLD PLATING ON THIS SURFACE
 .014 MIN LOCALIZED GOLD PLATE AREA 3



DETAIL Z
SCALE 10:1
TYPICAL



1.125	2.100	2.380	2.150	43	44	1-1658622-3
1.625	3.100	3.380	3.150	63	64	1-1658622-2
1.525	2.900	3.180	2.950	59	60	1-1658622-1
1.275	2.400	2.680	2.450	49	50	1-1658622-0
1.025	1.900	2.180	1.950	39	40	1658622-9
.875	1.600	1.880	1.650	33	34	1658622-8
.775	1.400	1.680	1.450	29	30	1658622-7
.675	1.200	1.480	1.250	25	26	1658622-6
.625	1.100	1.380	1.150	23	24	1658622-5
.525	.900	1.180	.950	19	20	1658622-4
.425	.700	.980	.750	15	16	1658622-3
.375	.600	.880	.650	13	14	1658622-2
.275	.400	.680	.450	9	10	1658622-1
E	D	C	B	A	NO OF POSN	PART NUMBER

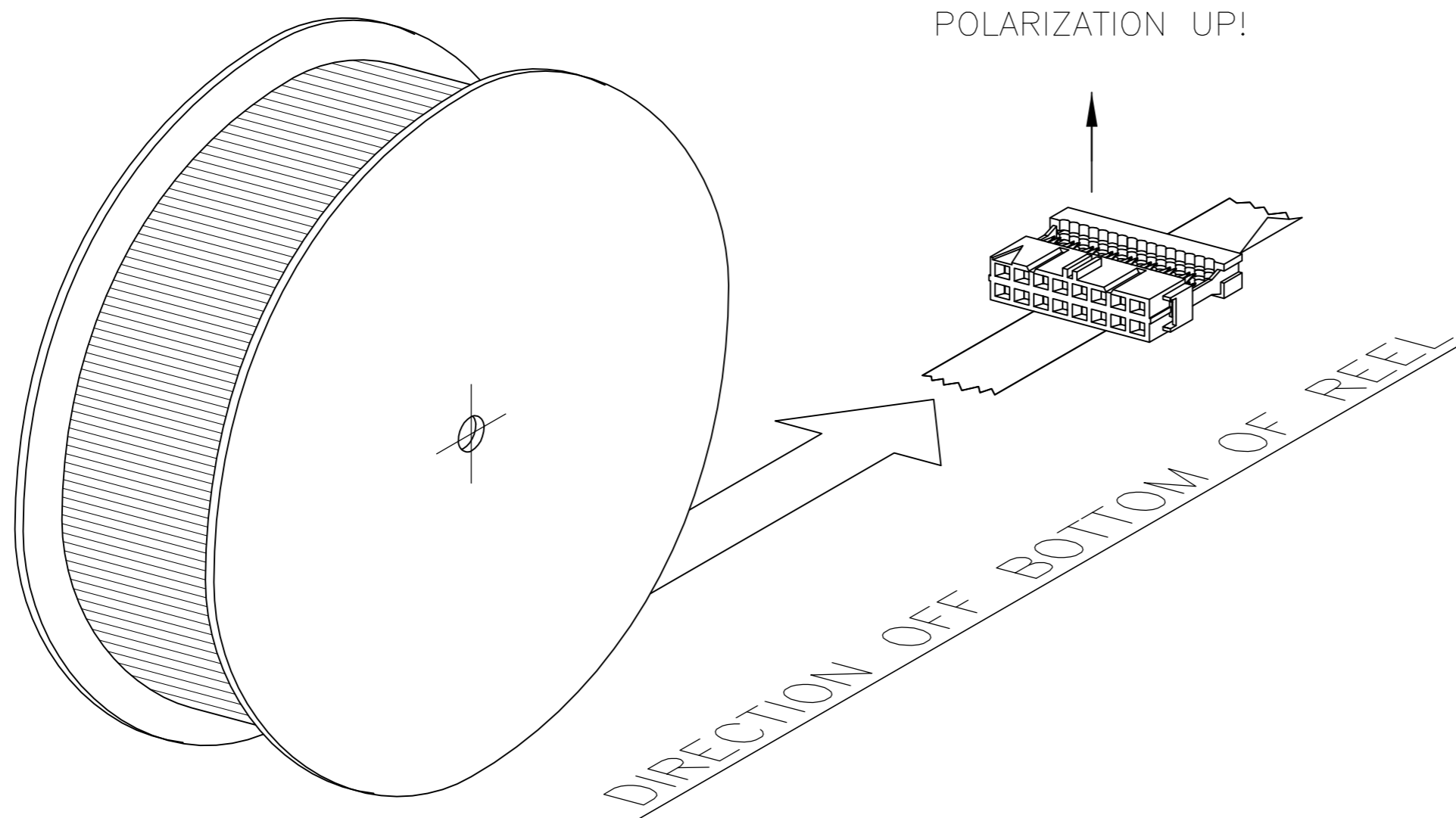
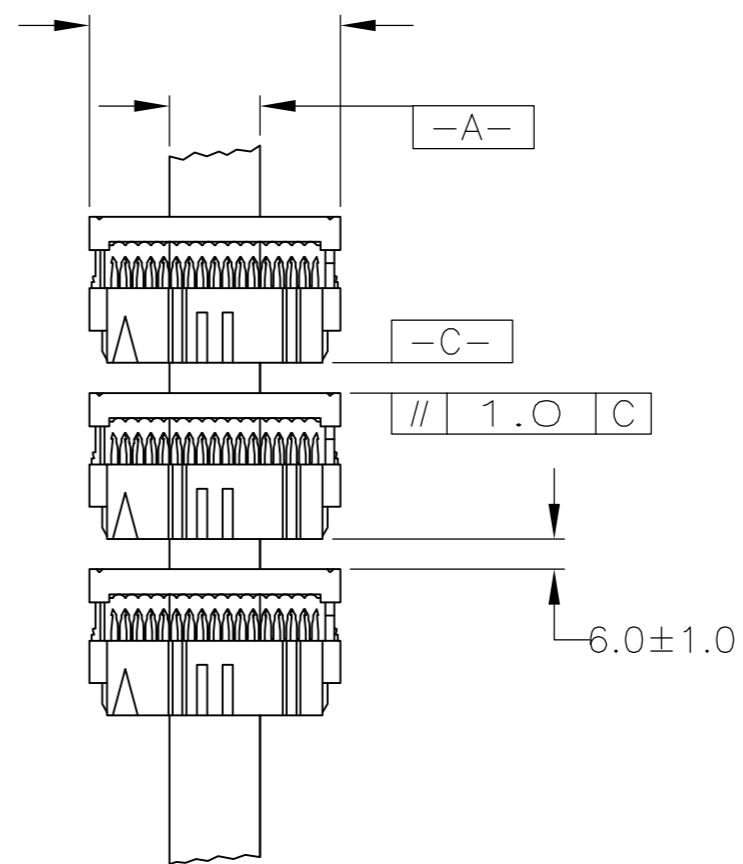


THIS DRAWING IS A CONTROLLED DOCUMENT.

DWN R. SAMICK 22AUG03	 TE Connectivity RECEPTACLE ASSY, CENTER & MILITARY POLARIZATION LEAD FREE AMP-LATCH™ NOVO					
CHK C. RHODE 22AUG03						
APVD M. WALMSLEY 22AUG03						
PRODUCT SPEC 108-40000						
DIMENSIONS: INCHES	TOLERANCES UNLESS OTHERWISE SPECIFIED: 0 PLC ± - 1 PLC ± - 2 PLC ± - 3 PLC ± .005 4 PLC ± - ANGLES ± 5°	NAME 114-40005	SIZE A2	CAGE CODE 00779	DRAWING NO C=1658622	RESTRICTED TO -
MATERIAL SEE NOTES	FINISH SEE NOTES	WEIGHT -	SCALE 4:1	SHEET 1 of 2	REV B2	
CUSTOMER DRAWING						

THIS DRAWING IS UNPUBLISHED. RELEASED FOR PUBLICATION
 © COPYRIGHT - By - ALL RIGHTS RESERVED.

LOC	DIST	REVISIONS			
P	LTR	DESCRIPTION	DATE	DWN	APVD
GP	00	SEE SHEET 1	-	-	-



1-1658622-2	9-1658622-2
SUB CONNECTOR	REEL PACKAGED PART NUMBER

THIS DRAWING IS A CONTROLLED DOCUMENT.		DWN	22AUG03		RECEPTACLE ASSY, CENTER & MILITARY POLARIZATION LEAD FREE AMP-LATCH NOVO
DIMENSIONS: INCHES		CHK	22AUG03		
TOLERANCES UNLESS OTHERWISE SPECIFIED:		APVD	22AUG03		
0 PLC ± - 1 PLC ± - 2 PLC ± - 3 PLC ± .005 4 PLC ± - ANGLES ± 5°		NAME	M. WALMSLEY		
MATERIAL		PRODUCT SPEC	108-40000	SIZE	A2
SEE NOTES		FINISH	SEE NOTES	CAGE CODE	00779
		WEIGHT	-	DRAWING NO	C=1658622
		CUSTOMER DRAWING		RESTRICTED TO	-
		SCALE	4:1	SHEET	2 of 2
		REV	B2		

X-ON Electronics

Largest Supplier of Electrical and Electronic Components

Click to view similar products for [Headers & Wire Housings](#) category:

Click to view products by [TE Connectivity](#) manufacturer:

Other Similar products are found below :

[892-18-020-10-001101](#) [58102-G61-06LF](#) [582553-1](#) [0009485154](#) [009176003701906](#) [0050291907](#) [LY20-4P-DT1-P1E-BR](#) [02.125.8002.8](#)
[609-3404](#) [61062-3](#) [61082-181009](#) [622-3653LF](#) [63453-116](#) [636-1030](#) [636-1427](#) [636-3427](#) [636-4007](#) [641938-9](#) [641991-4](#) [644827-2](#) [65817-010LF](#) [65817-015LF](#) [65863-015LF](#) [66207-023LF](#) [67095-007LF](#) [67601157](#) [68645-018](#) [68648-049](#) [70.362.1628.0](#) [70-4210](#) [70-4226B](#) [70-4853B](#) [707-5020](#) [707-5028](#) [71.350.2428.0](#) [71918-208LF](#) [71961-016LF](#) [733-134](#) [733-162](#) [754199-000](#) [760-3052](#) [787-8014-00](#) [79531-3000](#)
[FCN-360C032-B](#) [FCN-367T-T012/H](#) [FCN-723D010/2](#) [80.063.4001.1](#) [800-90-001-10-001000](#) [800-90-010-10-002000](#) [801-43-002-10-013000](#)